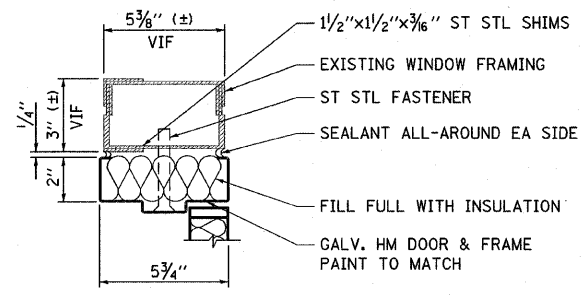
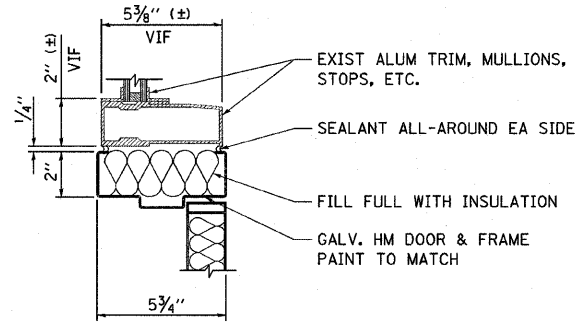


F.A.P. RTE.	SECTION	COUNTY	TOTAL SHEETS	SHEET NO.
90/94	1999-161-1	COOK	75	19
STA.		TO STA.		
FED. ROAD DIST. NO.		ILLINOIS FED. AID PROJECT		
D-91-411-99				

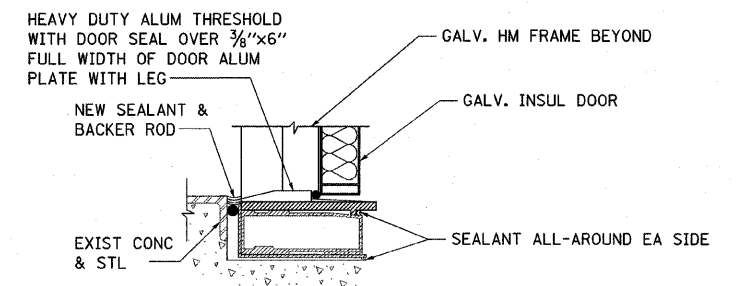


NOTE:
OPPOSITE JAMB SIMILAR WITH NEW ALUMINUM FRAMING TO MATCH & ALIGN WITH EXISTING MAPES PANEL FRAMING SYSTEM

1 HM DOOR JAMB DETAIL WEST WALL
A-5

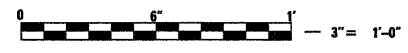


2 HM DOOR HEAD DETAIL WEST WALL
A-5



3 HM DOOR SILL DETAIL WEST WALL
A-5

PLOT DATE = 3/22/2010
FILE NAME = D:\60828-INT-A-05.dgn
PLOT SCALE = 1:1
USER NAME = USER



Stanley Consultants INC.

850 West Higgins Road, Suite 730, Chicago, Illinois 6063-2801
www.stanleygroup.com
Wholesale Fire Registration No. 04-00533

REVISIONS	
NAME	DATE

ILLINOIS DEPARTMENT OF TRANSPORTATION

ARCHITECTURAL DETAILS

SCALE: VERT. 3/4"=1'-0"
HORIZ. 3/4"=1'-0"

DATE: 3/23/2010

DRAWN BY: A.T.
CHECKED BY: D.L.