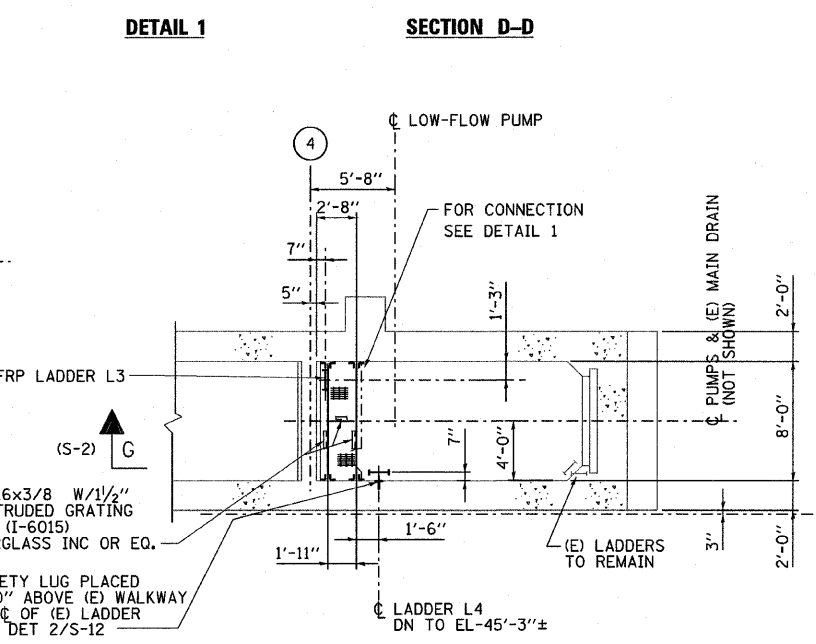
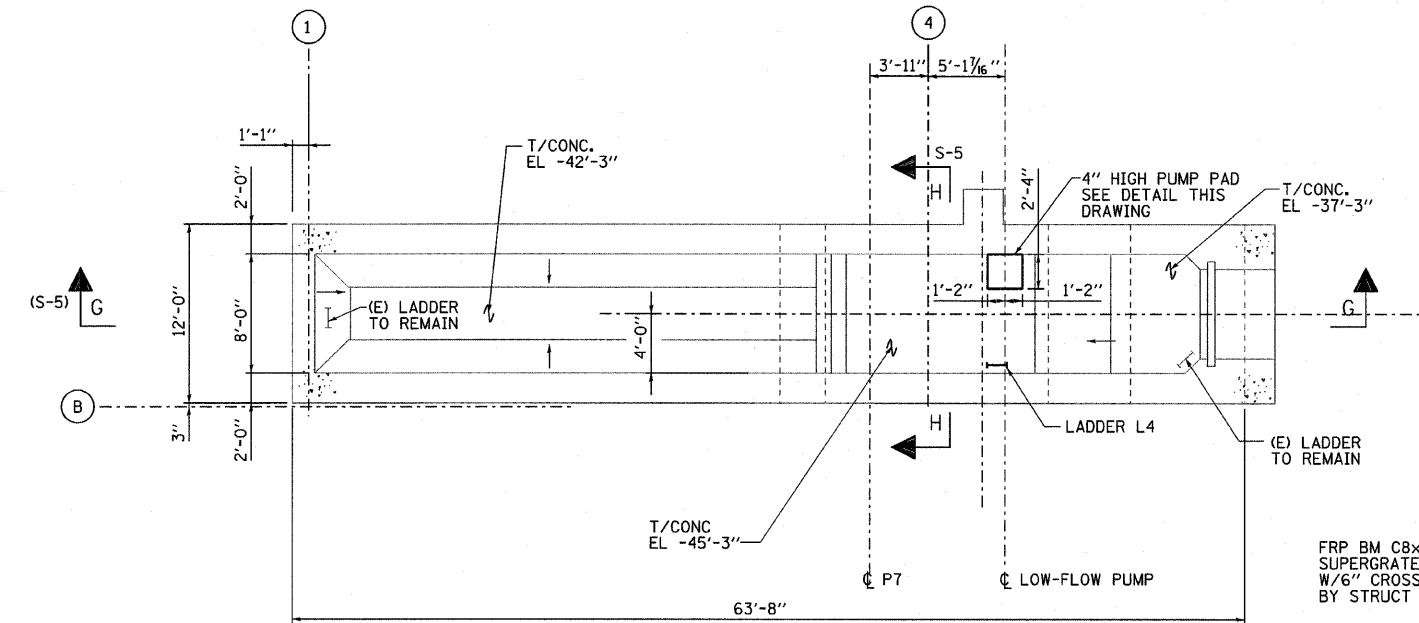
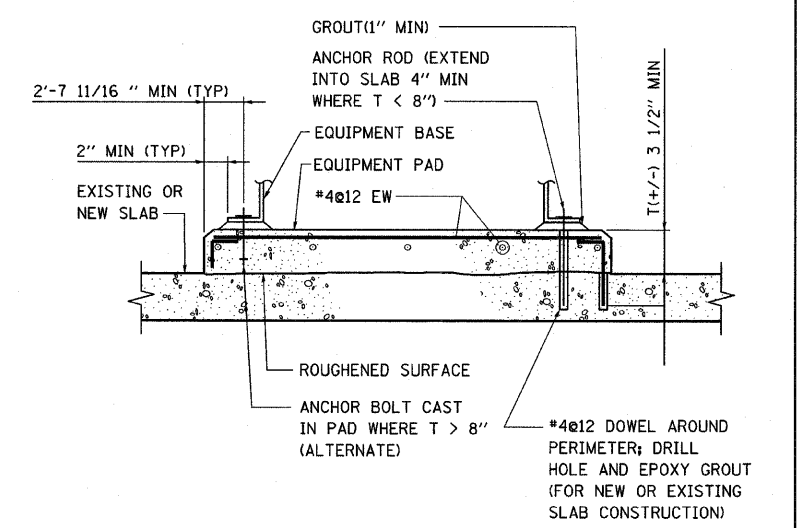
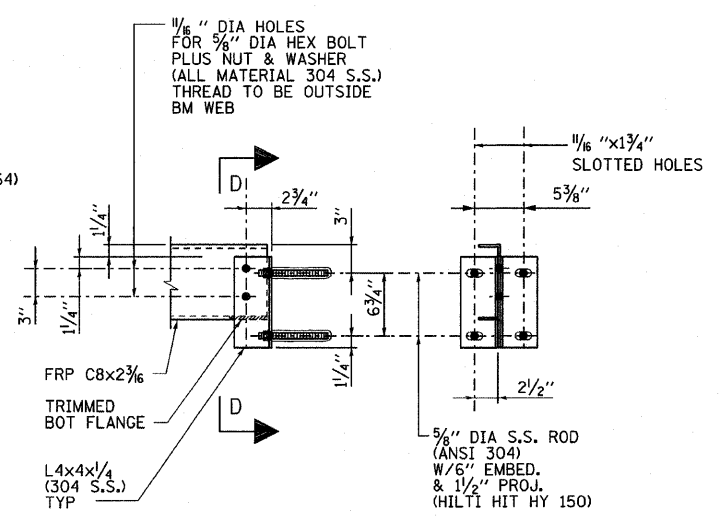
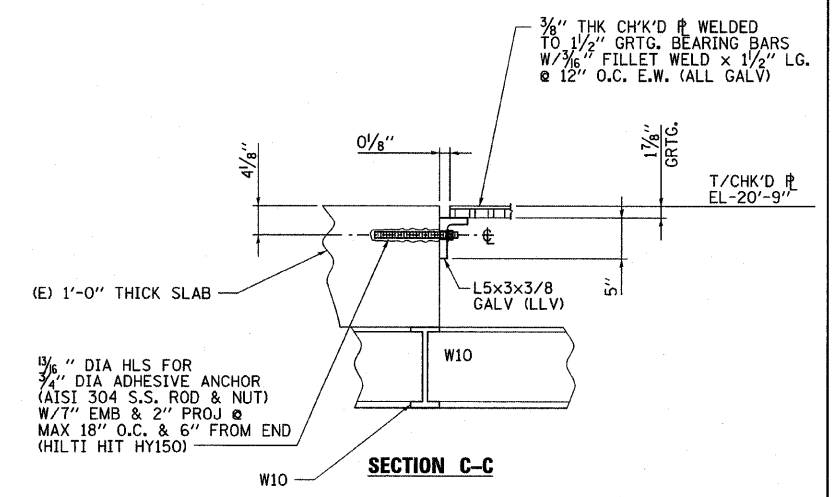
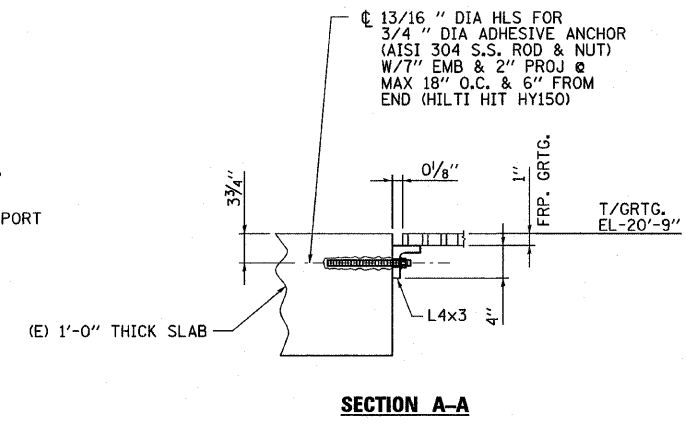
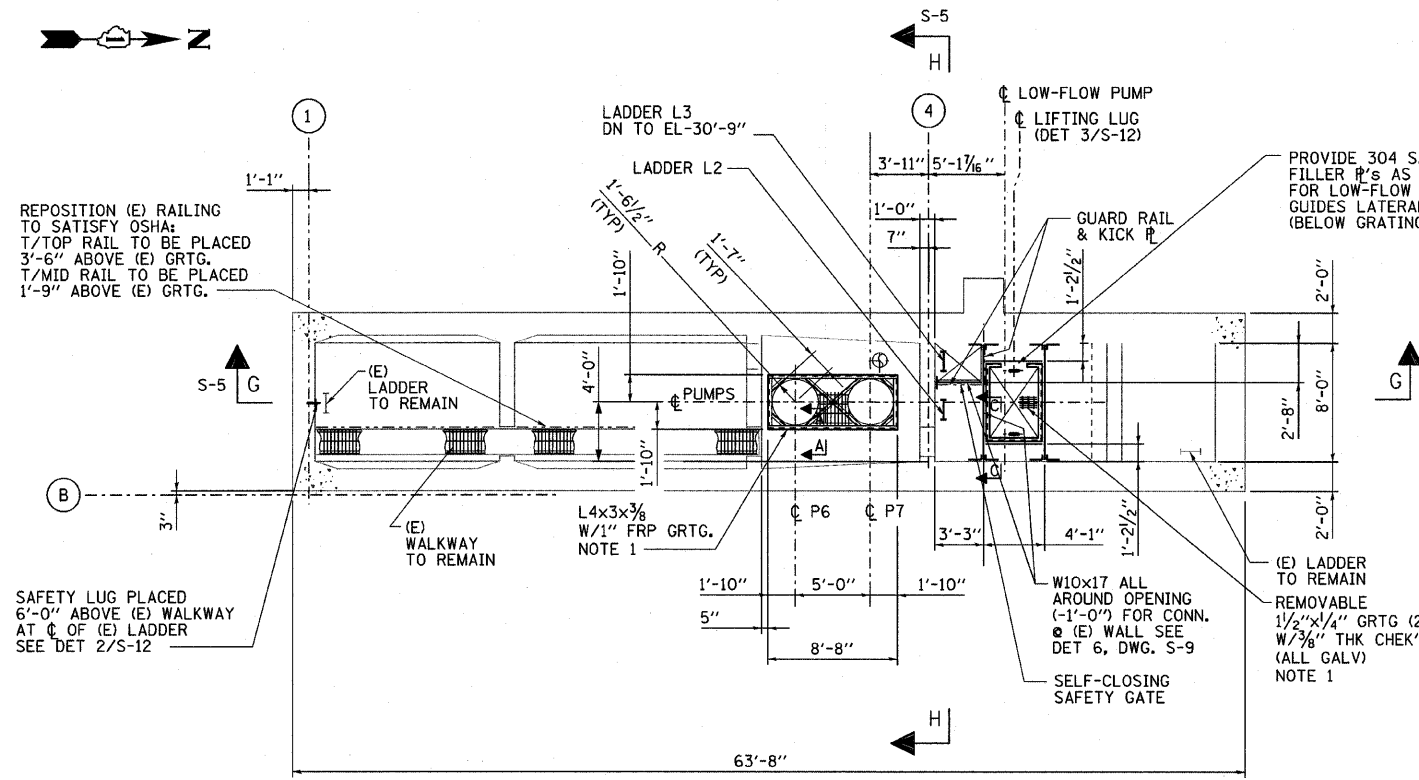


F.A.P. RTE.	SECTION	COUNTY	TOTAL SHEETS	SHEET NO.
90/94	1999-161-1	COOK	75	26
STA.		TO STA.		
FED. ROAD DIST. NO.		ILLINOIS FED. AID PROJECT		
D-91-411-99				



NOTES:
 1. ANCHOR BOLT/ROD SIZE AND LOCATION TO SUIT EQUIPMENT.

- GENERAL NOTES:
- FOR STRUCTURAL GENERAL NOTES SEE DWG. S-1 AND S-2.
 - ALL WORK ON THIS DRAWING SHALL FALL UNDER PAY ITEM "PUMP STATION GENERAL WORK".

REVISIONS	
NAME	DATE

ILLINOIS DEPARTMENT OF TRANSPORTATION
 PLAN AT EL's -20'-9" & -42'-3" & SECTIONS

SCALE: VERT. NO SCALE
 HORIZ. DATE: 3/23/2010
 DRAWN BY: A.T.
 CHECKED BY: A.N.



PLOT DATE = 3/22/2010
 FILE NAME = D:\68828\mhc-s-07.dgn
 PLOT SCALE = 1/8"
 USER NAME = KUBERN

— DENOTES SLOPING SURFACE & ITS SLOPE-DOWN DIRECTION