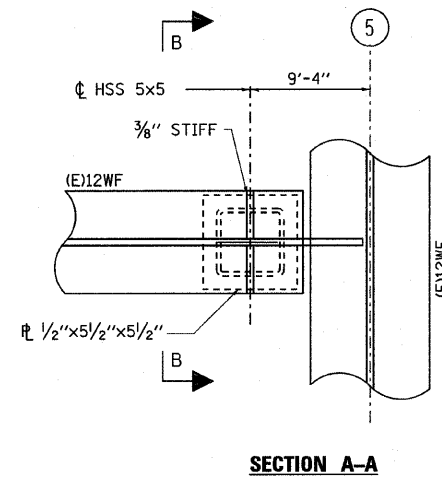
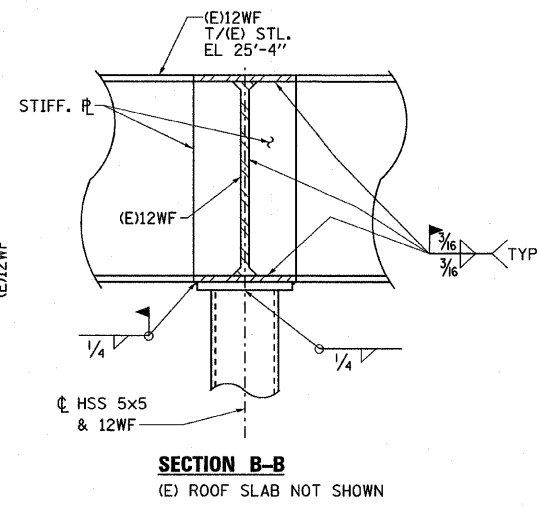


F.A.P. RTE.	SECTION	COUNTY	TOTAL SHEETS	SHEET NO.
90/94	1999-161-1	COOK	75	27
STA.		TO STA.		
FED. ROAD DIST. NO.	ILLINOIS	FED. AID PROJECT		
0-91-411-99				

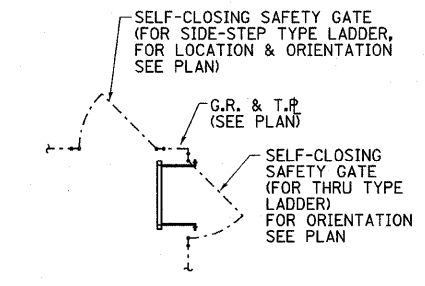
- GENERAL NOTES:**
- FOR STRUCTURAL GENERAL NOTES SEE DWG. S-1 AND S-2.
 - ALL WORK ON THIS DRAWING SHALL FALL UNDER PAY ITEM "PUMP STATION GENERAL WORK".



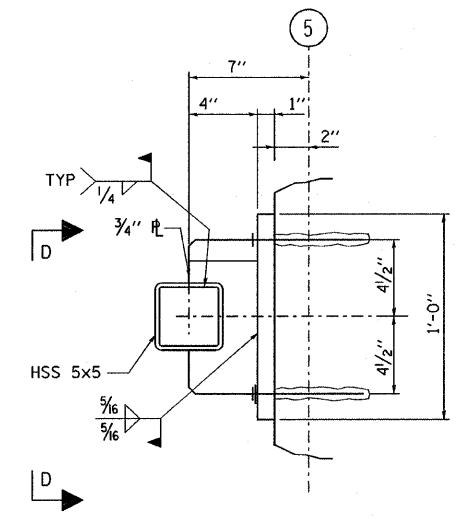
SECTION A-A



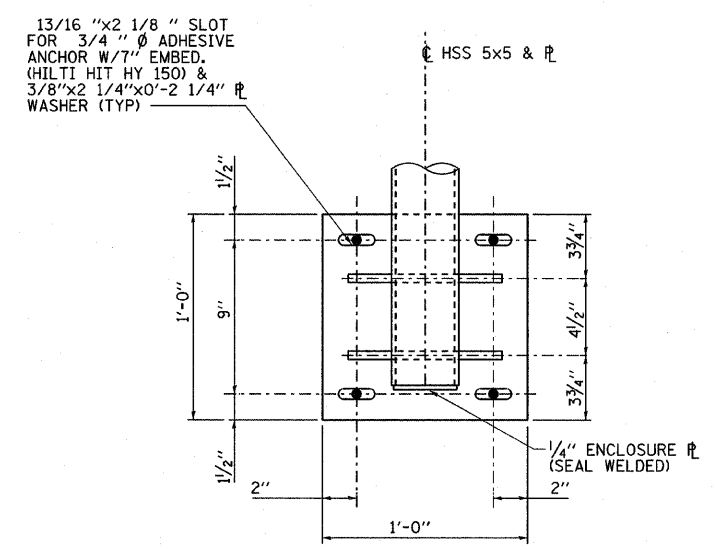
SECTION B-B
(E) ROOF SLAB NOT SHOWN



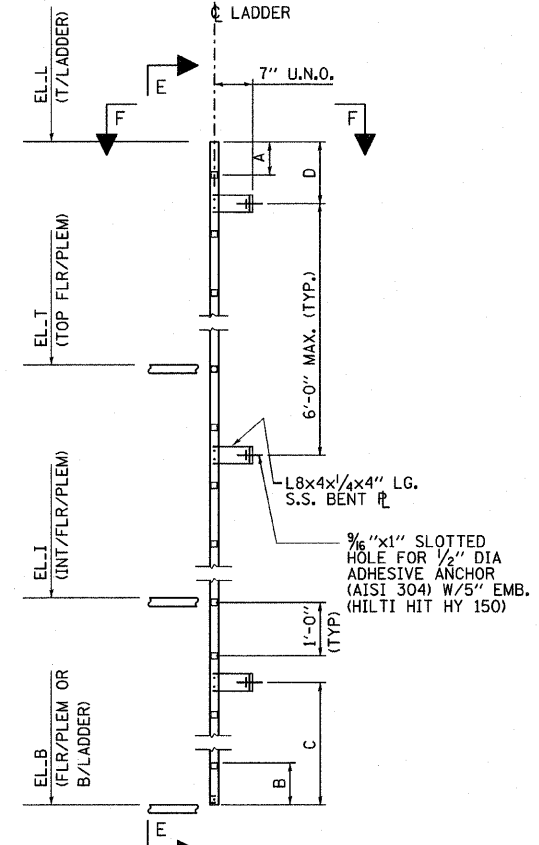
SECTION F-F



SECTION C-C

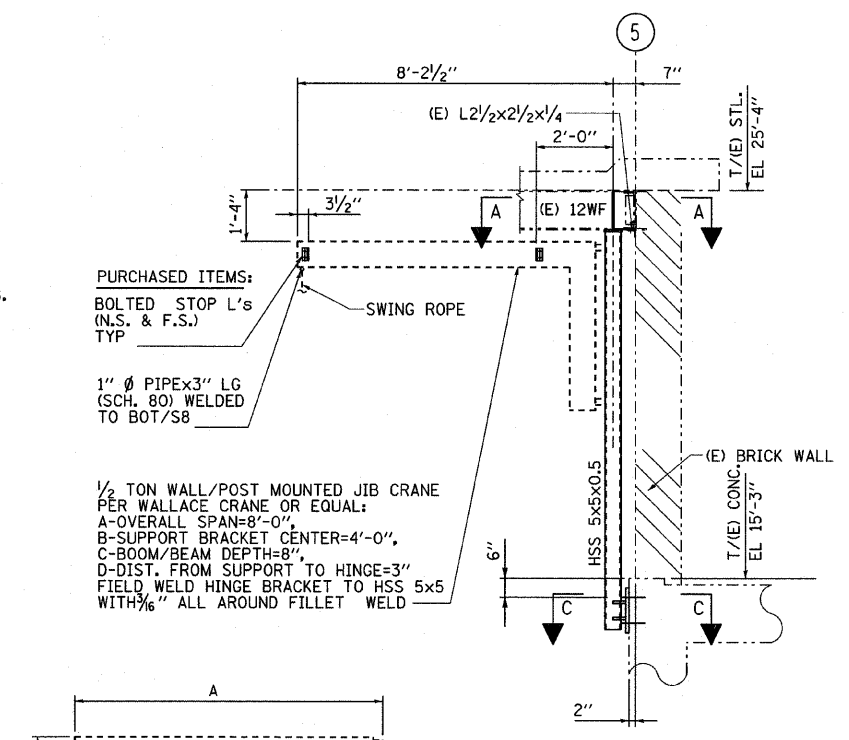


SECTION D-D

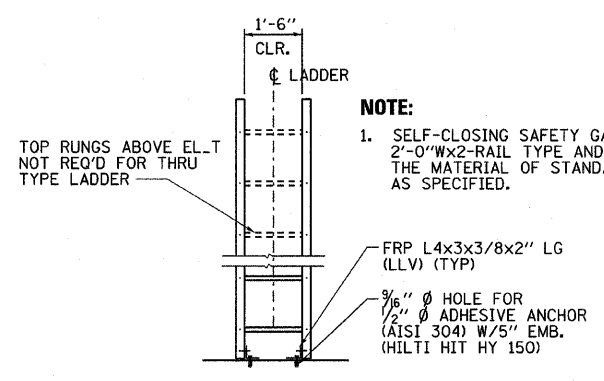


LADDER DETAIL

SIDE RAILS: 1.75"x1.75"x0.25" TUBE
RUNGS: 1.25"x1.25"x0.25" TUBE
W/NON-SKID SURFACE



SECTION M-M (S-9)



SECTION E-E

- NOTE:**
- SELF-CLOSING SAFETY GATE TO BE 2'-0" Wx2'-0" RAIL TYPE AND MATCHING THE MATERIAL OF STANDARD RAILING AS SPECIFIED.

LADDER SCHEDULE											
LADDER MK	TYP	EL.L	EL.T	EL.I	EL.B	A	B	C	D	LOCATION DWG	REMARKS
L1	SIDE-STEP	EL 14.58'	EL 14.80'	N/A	EL -2.75'	6"	10"	3'-11 3/8"	1'-4 5/8"	S-3	
L2	SIDE-STEP	EL 2.08'	EL -2.75'	EL -10.75'	EL -20.75'	10"	1'-0"	2'-5 3/8"	2'-4 5/8"	S-3	
L3	SIDE-STEP	EL -15.92'	EL -20.75'	N/A	EL -30.75'	10"	1'-0"	1'-5 3/8"	1'-4 5/8"	S-4	
L4	SIDE-STEP	EL -25.92'	EL -30.75'	N/A	EL -45.25'	10"	6"	4'-11 3/8"	2'-4 5/8"	S-4	
L5	THRU	EL 4.58'	EL 0.75'	N/A	EL -2.75'	3'-10"	6"	3'-2"	4'-2"	S-6	
L6	THRU	EL 4.58'	EL 0.75'	N/A	EL -2.75'	3'-10"	6"	3'-2"	4'-2"	S-6	
L7	SIDE-STEP	EL 14.58'	EL 14.80'	N/A	EL -2.75'	6"	10"	3'-11 3/8"	1'-4 5/8"	S-3	
L8	SIDE-STEP	EL 14.58'	EL 14.80'	N/A	EL -2.75'	6"	10"	3'-11 3/8"	1'-4 5/8"	S-3	TOP BENT PL. +5 3/8" LONGER DUE (E) CONC. SEAT

NOTE: ALL LADDERS ARE OF FRP (FIBERGLASS) TYPE AND OSHA COMPLIANT

PLOT DATE = 3/22/2010
FILE NAME = D:\60828-ht-s-06.dgn
PLOT SCALE = 1/8"
USER NAME = USER



REVISIONS	
NAME	DATE

ILLINOIS DEPARTMENT OF TRANSPORTATION

SECTIONS & DETAILS

SCALE: VERT. NO SCALE
HORIZ. NO SCALE
DATE: 3/23/2010

DRAWN BY: A.T.
CHECKED BY: A.N.