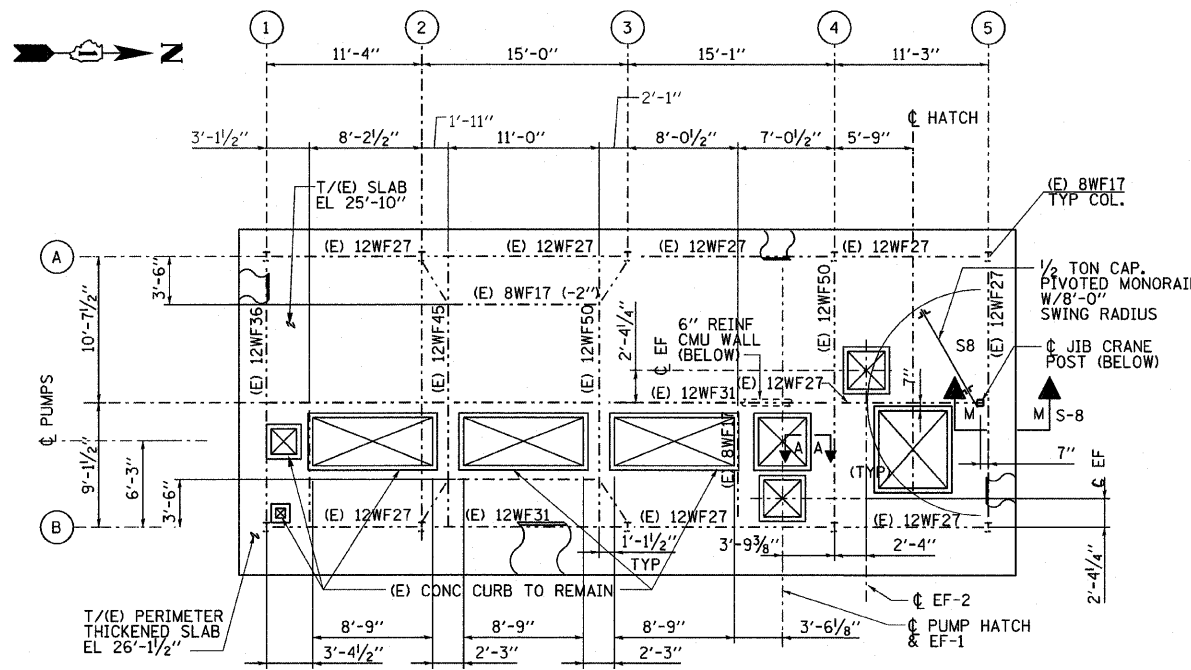
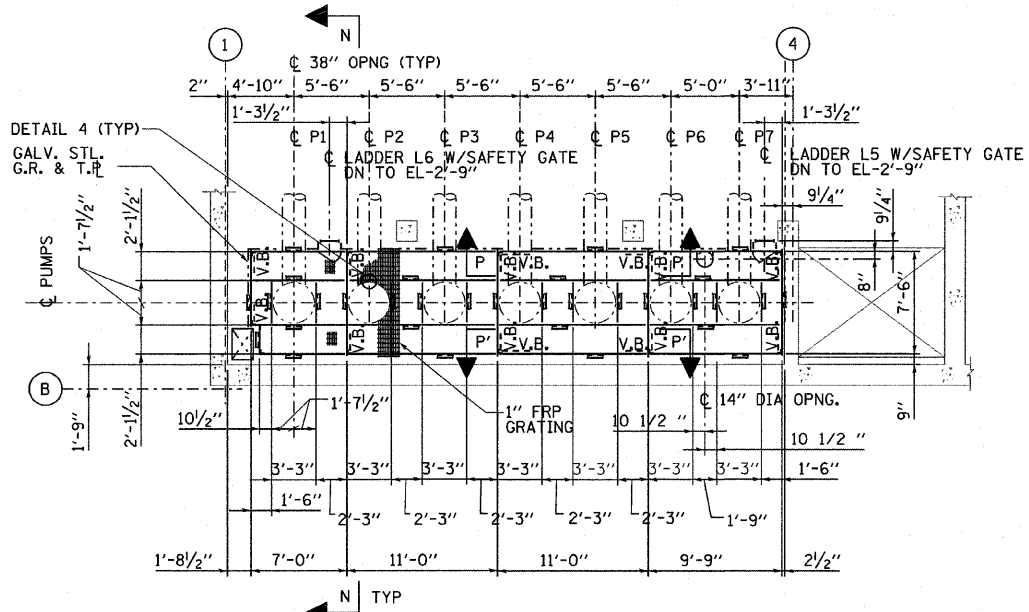


F.A.P. RTE.	SECTION	COUNTY	TOTAL SHEETS	SHEET NO.
90/94	1999-161-1	COOK	75	28
STA.		TO STA.		
FED. ROAD DIST. NO.		ILLINOIS FED. AID PROJECT		
0-91-411-99				

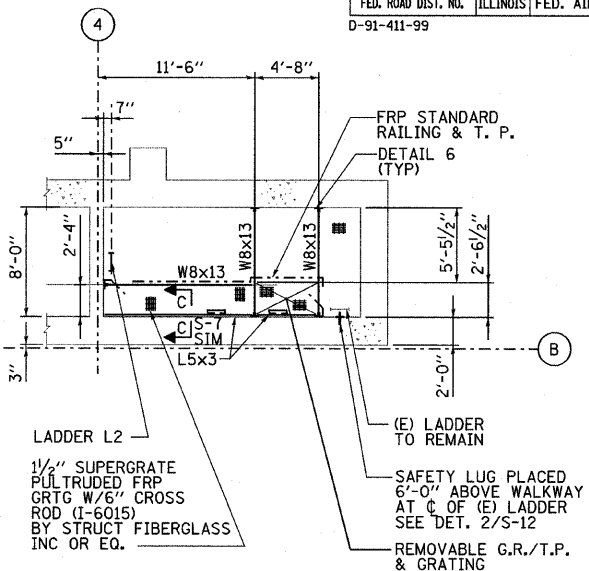


1. FOR ROOF OPENING SIZES & LOCATIONS SEE S-11

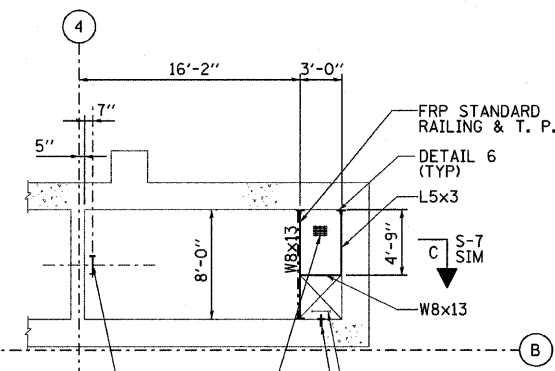
ROOF PLAN E-E AT EL. +25'-4" T/STL U.N. (S-5)
SEE ARCH DWGS FOR HATCH COVERS
L.L. = 30 PSF



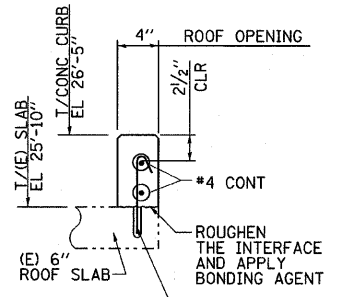
PLAN F-F AT EL. +0'-9" (S-5)
T/STL (-1") L.L. = 100 PSF
ALL FRAMING MEMBERS C8x11.5 U.N.
ALL LEG POST L4x4x3/8



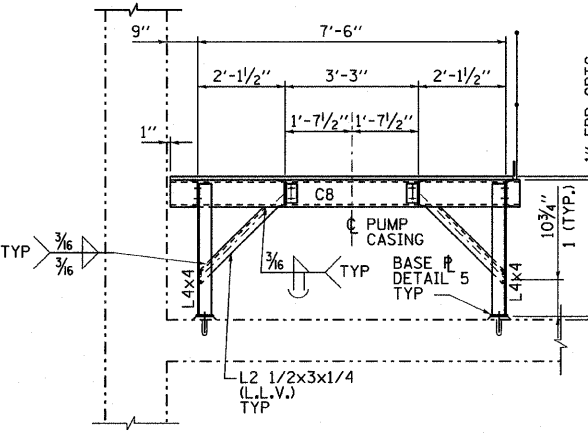
PLAN F-F AT EL. -8'-1 1/4" (S-5)
T/STL (-1 1/2")



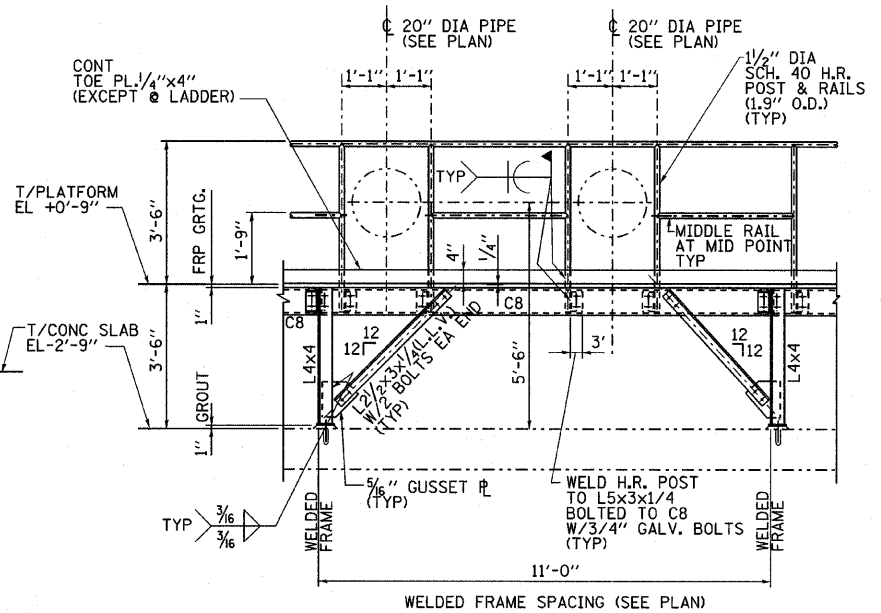
PLAN G-G AT EL. -15'-9" (S-5)
T/STL (-1 1/2")



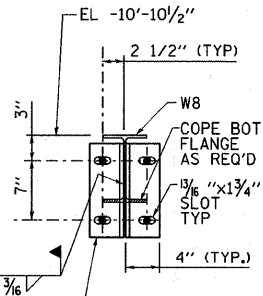
SECTION A-A



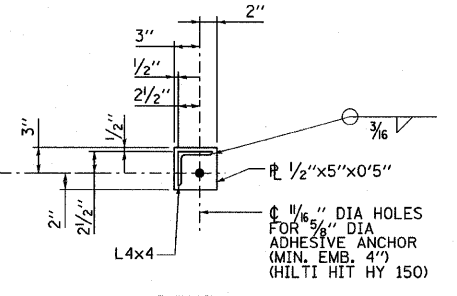
SECTION N-N



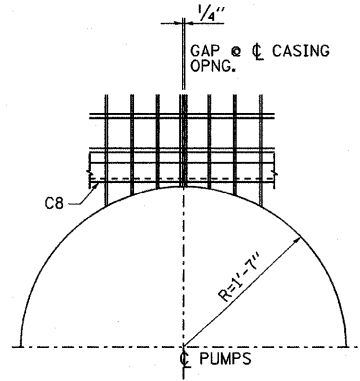
SECTION P-P (WITH HANDRAIL)
SECTION P'-P' (WITHOUT HANDRAIL)



DETAIL 6



DETAIL 5 (II PLACES)



DETAIL 4

- GENERAL NOTES:**
- FOR STRUCTURAL GENERAL NOTES SEE DWG. S-1 AND S-2.
 - ALL WORK ON THIS DRAWING SHALL FALL UNDER PAY ITEM "PUMP STATION GENERAL WORK".

REVISIONS	
NAME	DATE

ILLINOIS DEPARTMENT OF TRANSPORTATION
ROOF HOIST BEAM & SERVICE PLATFORM
PLANS, SECTIONS & DETAILS

SCALE: VERT. NO SCALE
HORIZ. DATE: 3/23/2010
DRAWN BY: A.T.
CHECKED BY: A.N.



PLOT DATE = 3/22/2010
FILE NAME = D:\60828-161-1-S-96.dgn
PLOT SCALE = 1/2"
USER NAME = MUSER