

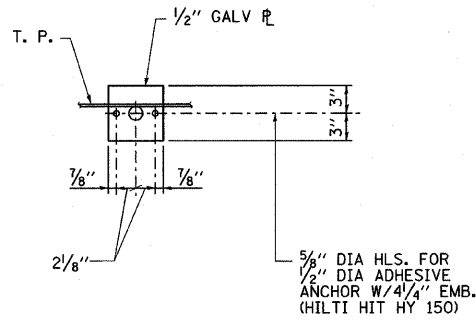
F.A.P. RTE.	SECTION	COUNTY	TOTAL SHEETS	SHEET NO.
90/94	1999-161-1	COOK	75	31
STA.		TO STA.		
FED. ROAD DIST. NO.		ILLINOIS FED. AID PROJECT		
D-91-411-99				

GENERAL NOTES:

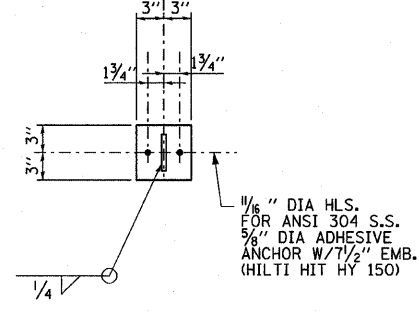
- FOR STRUCTURAL GENERAL NOTES SEE DWG. S-1 AND S-2.
- ALL WORK ON THIS DRAWING SHALL FALL UNDER PAY ITEM "PUMP STATION GENERAL WORK".

NOTE:

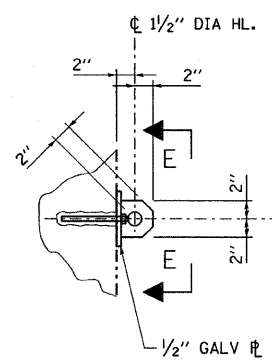
ALL (E) STL. PER ASTM AT SPEC.



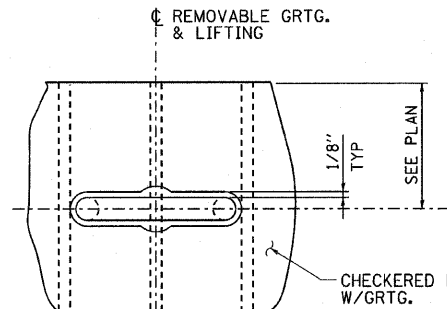
SECTION D-D



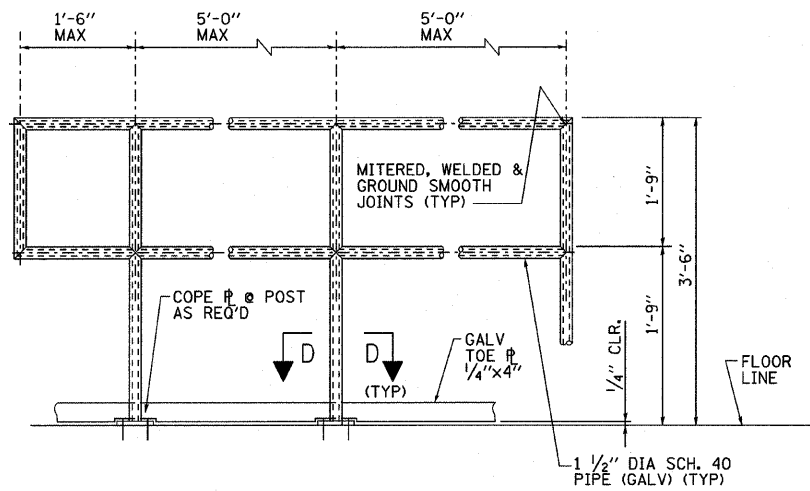
SECTION E-E



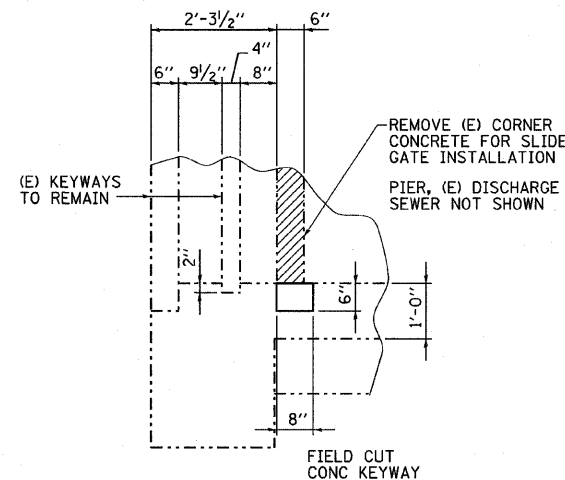
**DETAIL 2
LIFELINE SAFETY LUG
S-7, S-9**



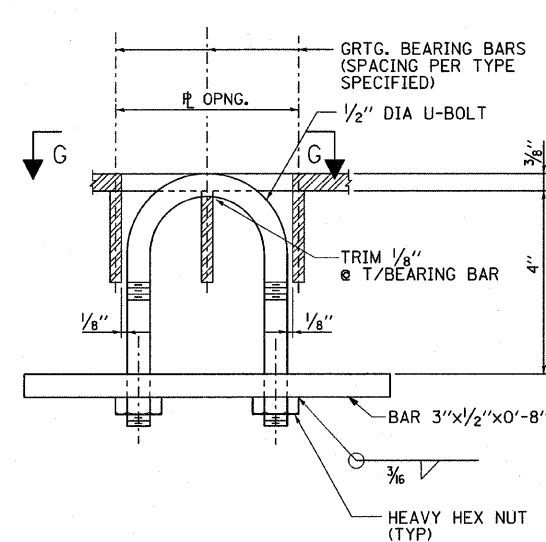
SECTION G-G



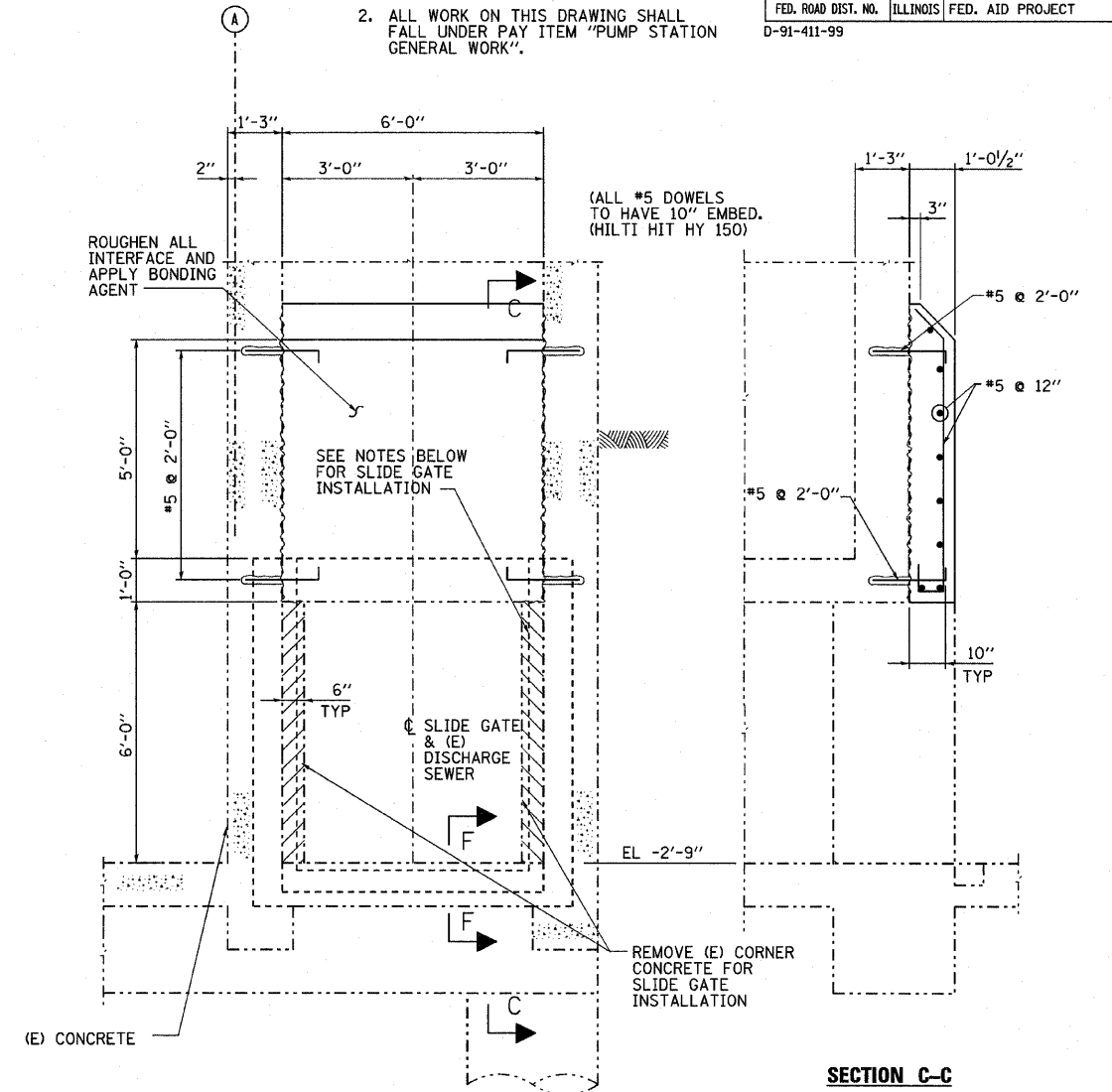
TYPICAL FLOOR MOUNTING HANDRAIL ELEVATION



SECTION F-F



COLLAPSABLE LIFTING LUG DETAIL 3



SECTION X-X (S-6)

NOTES:

- CONTRACTOR SHALL FIELD MEASURE THE DIAMETER OF SLIDE GATE MOUNTING BOLT HOLES.
- PROVIDE ANSI 304 S.S. THREAD RODS ASSEMBLY W/6" EMB. PER HILTI HIT HY 150 FOR CONCRETE ANCHORS AND ANSI 304 S.S. BOLTS FOR CHANNEL CONNECTIONS.
- FIELD DRILL THREAD RODS/BOLTS DIAMETER = MEASURED BOLT HOLE DIAMETER -1/16".
- PATCH UP THE (E) BASE/SIDE SLOTS W/CONCRETE AS REQ'D (I.E. ROUGHEN THE (E) SURFACE AND APPLY BONDING AGENT PRIOR TO PLACEMENT OF CONCRETE).

PLOT DATE = 3/22/2010
FILE NAME = D:\60828-161-1-S-12.dgn
PLOT SCALE = 1:1
USER NAME = MUSEB*

NOTE:

THE EXISTING FLOOR & WALKWAY RAILING (TOP RAIL & MIDDLE RAIL LOCATED 3'-0" & 1'-6" ABOVE FLOOR, RESPECTIVELY) DOES NOT MEET OSHA REQUIREMENT AND SHALL BE REPLACED BY RAILING AS SHOWN.

REVISIONS	
NAME	DATE

ILLINOIS DEPARTMENT OF TRANSPORTATION

MISCELLANEOUS STEEL SECTIONS & DETAILS

SCALE: VERT. NO SCALE
HORIZ. DATE: 3/23/2010

DRAWN BY: A.T.
CHECKED BY: A.N.

