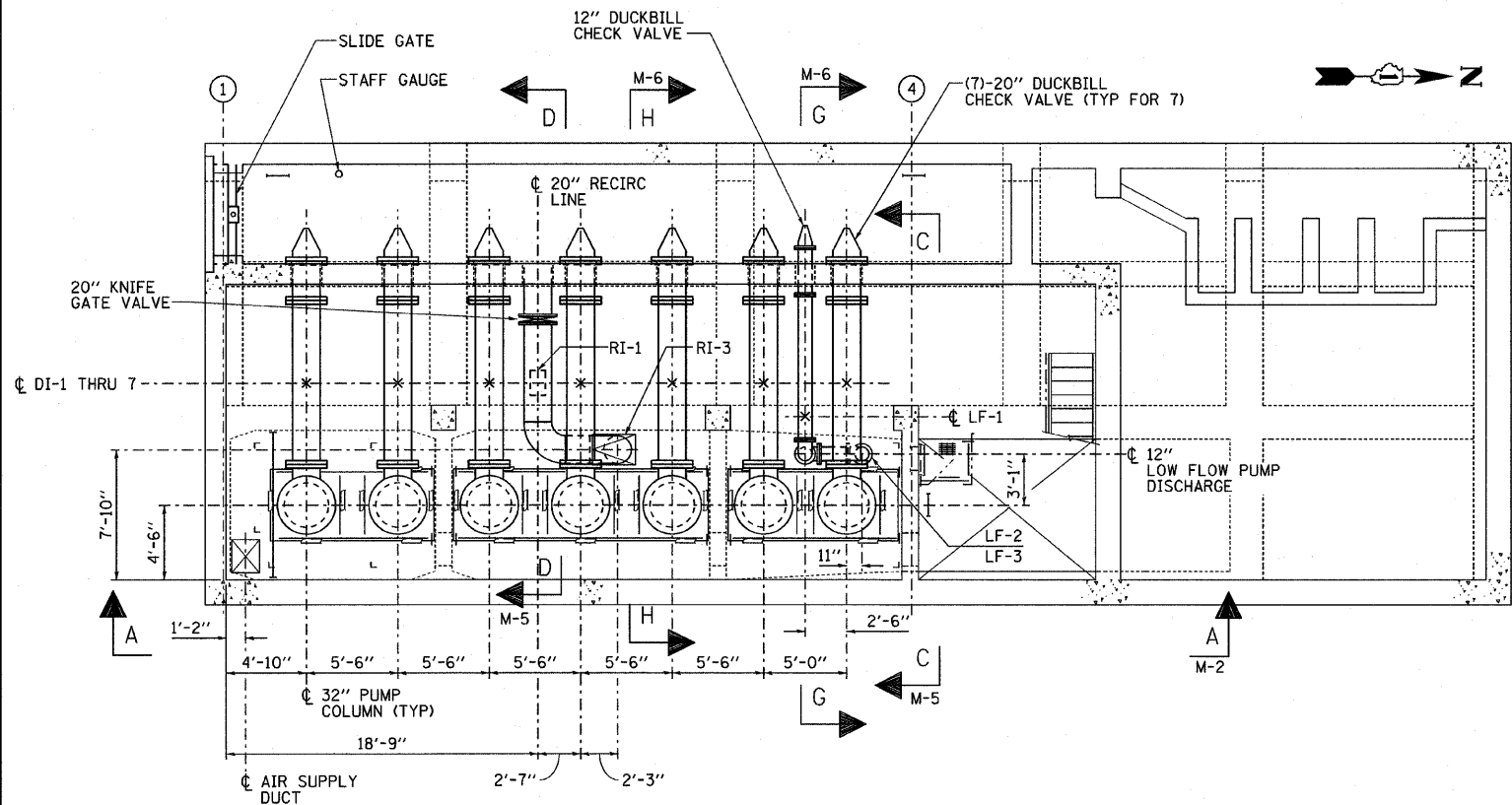
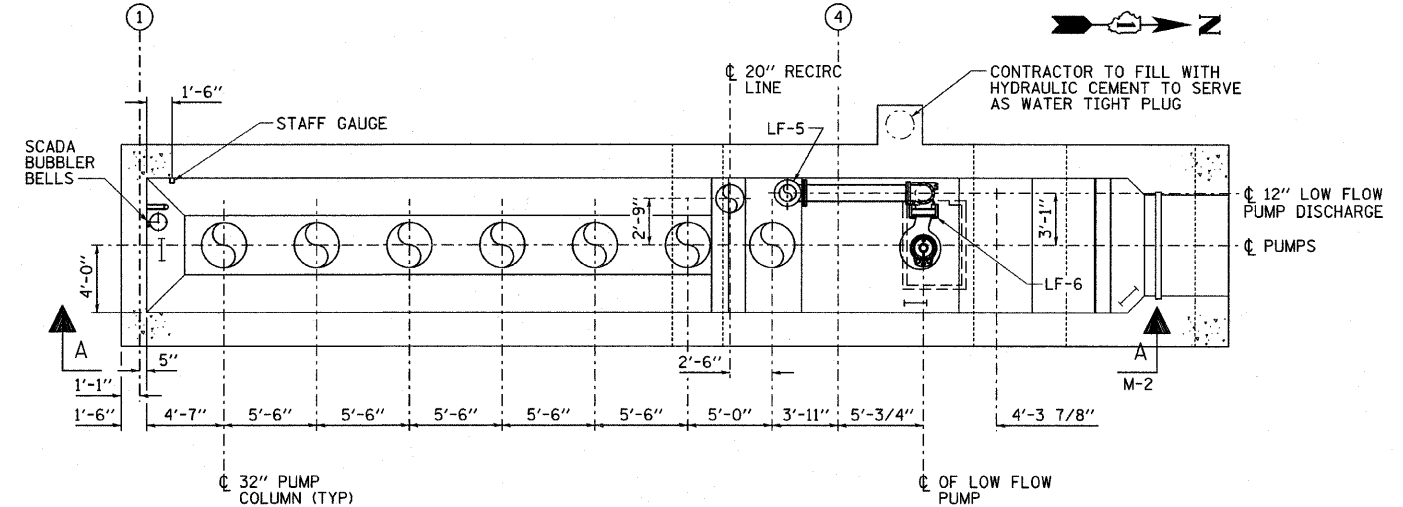


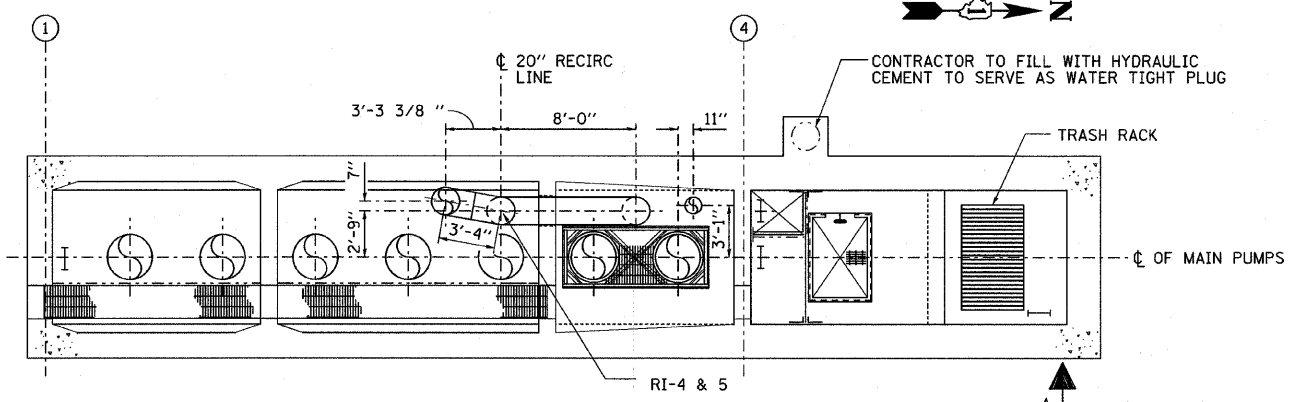
F.A.P. RTE.	SECTION	COUNTY	TOTAL SHEETS	SHEET NO.
90/94	1999-161-1	COOK	75	36
STA.		TO STA.		
FED. ROAD DIST. NO.		ILLINOIS	FED. AID PROJECT	
D-91-411-99				



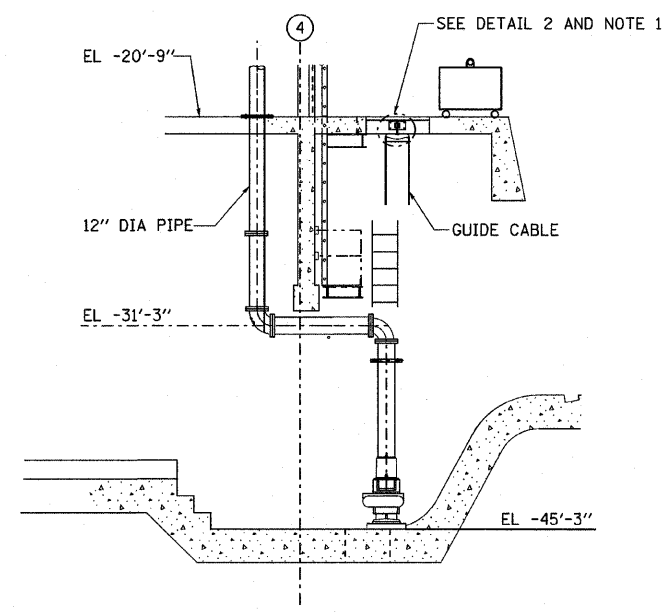
**PLAN C-C**  
M-2



**PLAN E-E**  
M-2

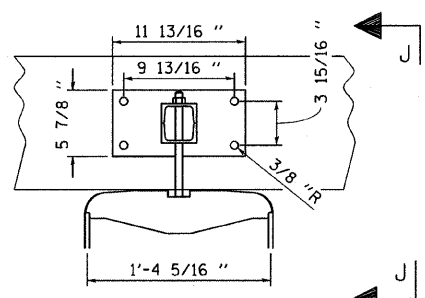


**PLAN D-D**  
M-2

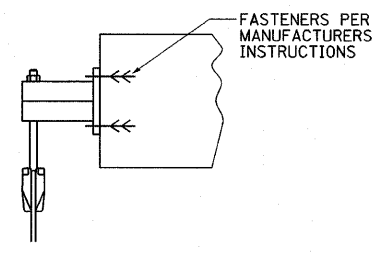


**DETAIL 1**

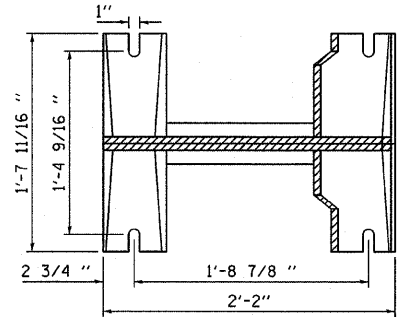
- NOTES:**
1. LOCATION OF LOW FLOW PUMP IS INTENDED TO BE COORDINATED WITH HATCH ABOVE. CONTRACTOR SHALL INSTALL GUIDE WIRE IN HATCH OPENING PER PUMP MANUFACTURERS INSTRUCTIONS. GUIDE CABLE MAXIMUM ANGLE FROM VERTICAL SHALL BE 5°.
  2. SEE M-6 FOR PIPE SUPPORTS.
  3. FOR GENERAL NOTES SEE DWG M-1.



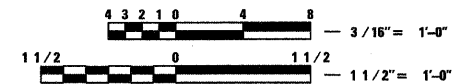
**DETAIL 2**



**SECTION J-J**



**SECTION K-K**  
M-2



REVISIONS	
NAME	DATE

ILLINOIS DEPARTMENT OF TRANSPORTATION  
**GENERAL ARRANGEMENT - PLANS & SECTIONS**  
 SCALE: VERT. 3/16"=1'-0"  
 HORIZ. 1 1/2"=1'-0"  
 DATE: 3/23/2010  
 DRAWN BY: R.D.  
 CHECKED BY: A.M.

PLOT DATE = 3/22/2010  
 FILE NAME = D:\BRR20\wh-h-m-93.dgn  
 PLOT SCALE = 1/8"=3/32"  
 USER NAME = #05878