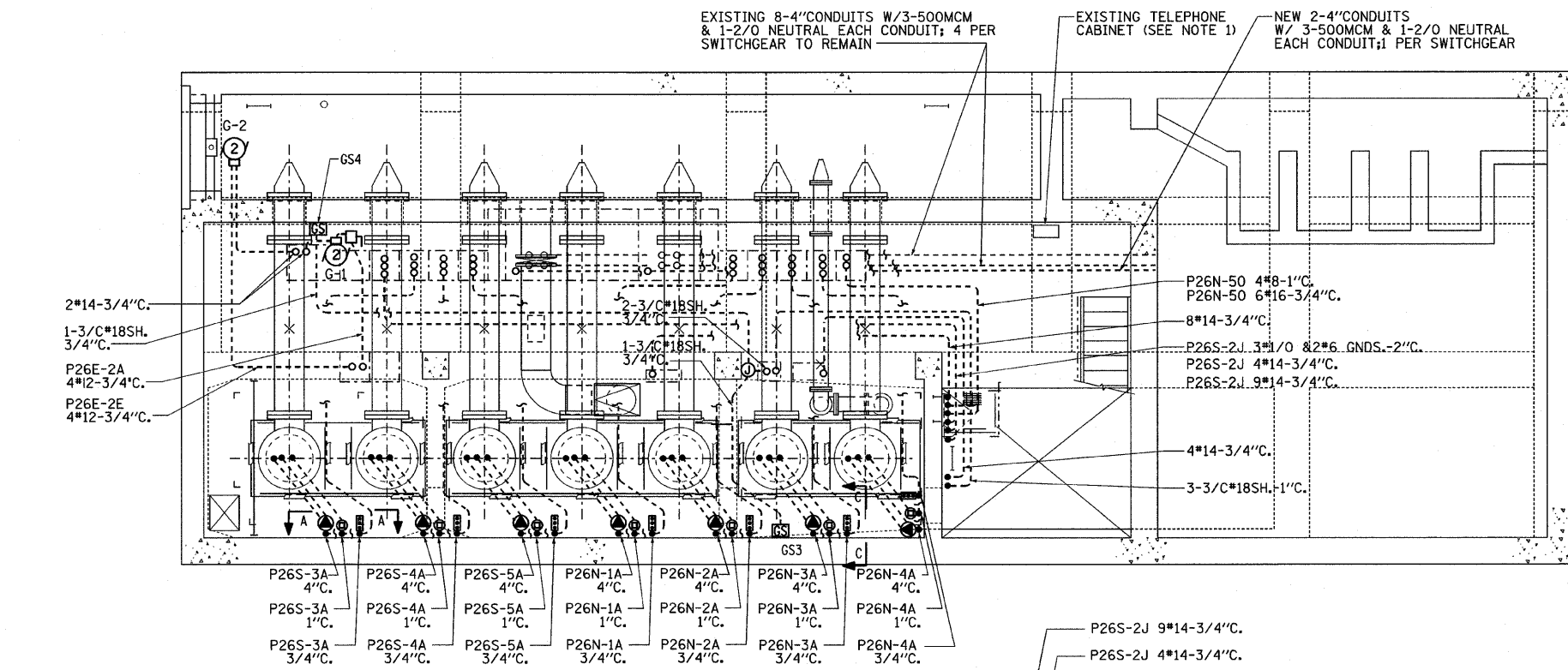
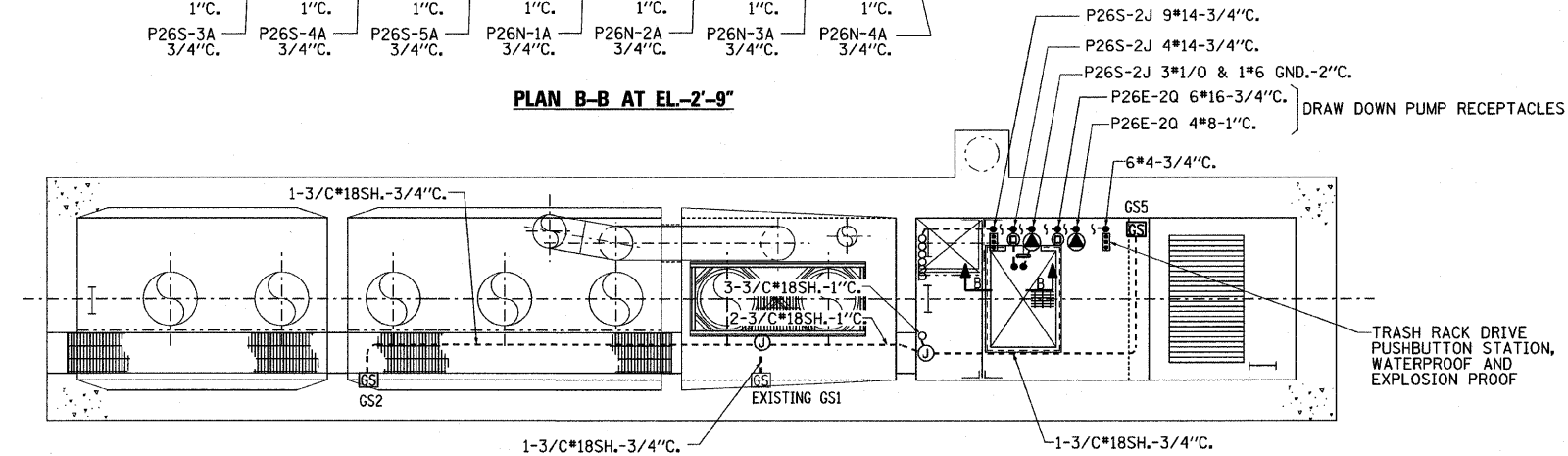


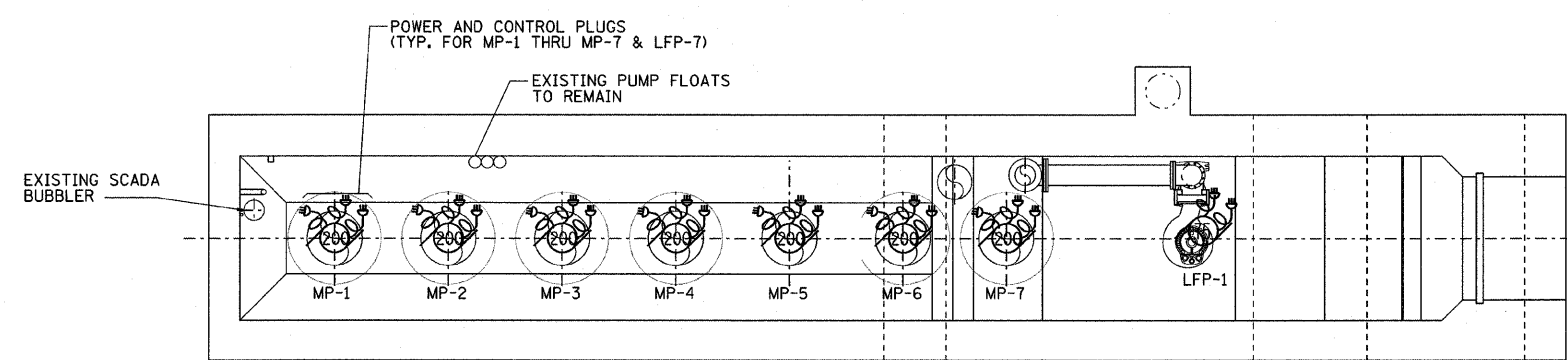
F.A.P. RTE.	SECTION	COUNTY	TOTAL SHEETS	SHEET NO.
90/94	1999-161-1	COOK	75	48
STA.		TO STA.		
FED. ROAD DIST. NO.	ILLINOIS	FED. AID PROJECT		
D-91-411-99				



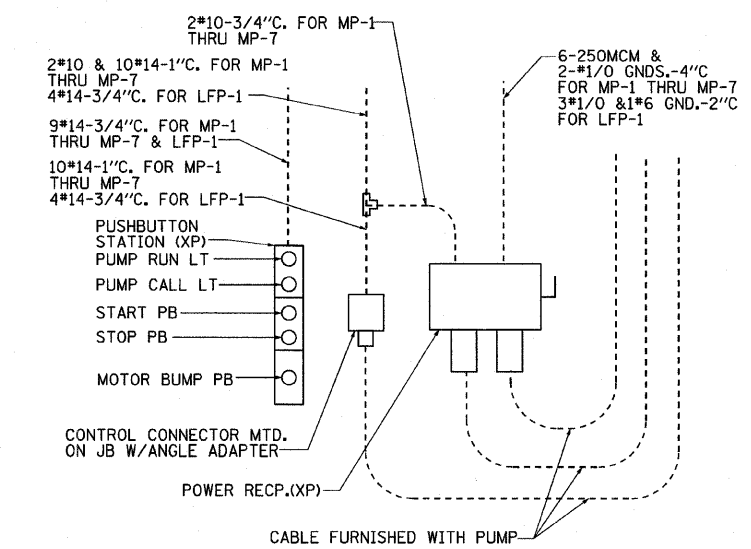
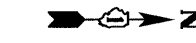
PLAN B-B AT EL.-2'-9"



PLAN C-C AT EL.-20'-9"

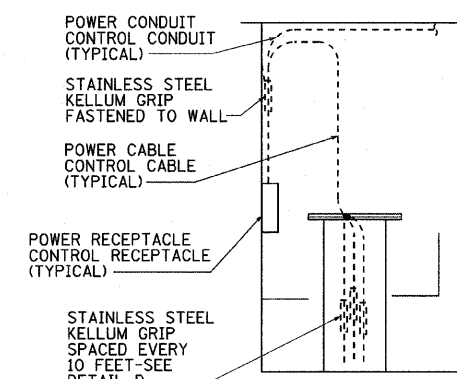


PLAN D-D AT EL.-42'-3"

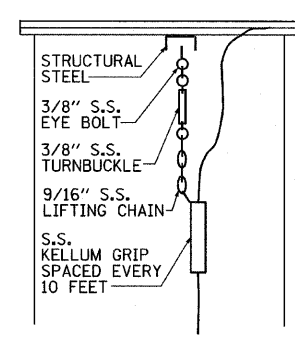


SECTION A-A

SECTION B-B(SIMILAR)



SECTION C-C



DETAIL D

NOTES:

1. CONTRACTOR SHALL REPLACE EXISTING TELEPHONE CABINET WITH A NEW CABINET THAT HAS A NEMA TYPE 6 ENCLOSURE.
2. FOR ADDITIONAL NOTES SEE DWG. E-5

REVISIONS	
NAME	DATE

ILLINOIS DEPARTMENT OF TRANSPORTATION
ELECTRICAL CONDUIT PLANS - SHEET 2



SCALE: VERT. NO SCALE
HORIZ. DATE: 3/23/2010

DRAWN BY: B.K.
CHECKED BY: M.Z.

PLOT DATE = 3/22/2010
FILE NAME = D:\60828-ah\1-E-06.dgn
PLOT SCALE = 1/4" = 1'-0"
USER NAME = MUSEY