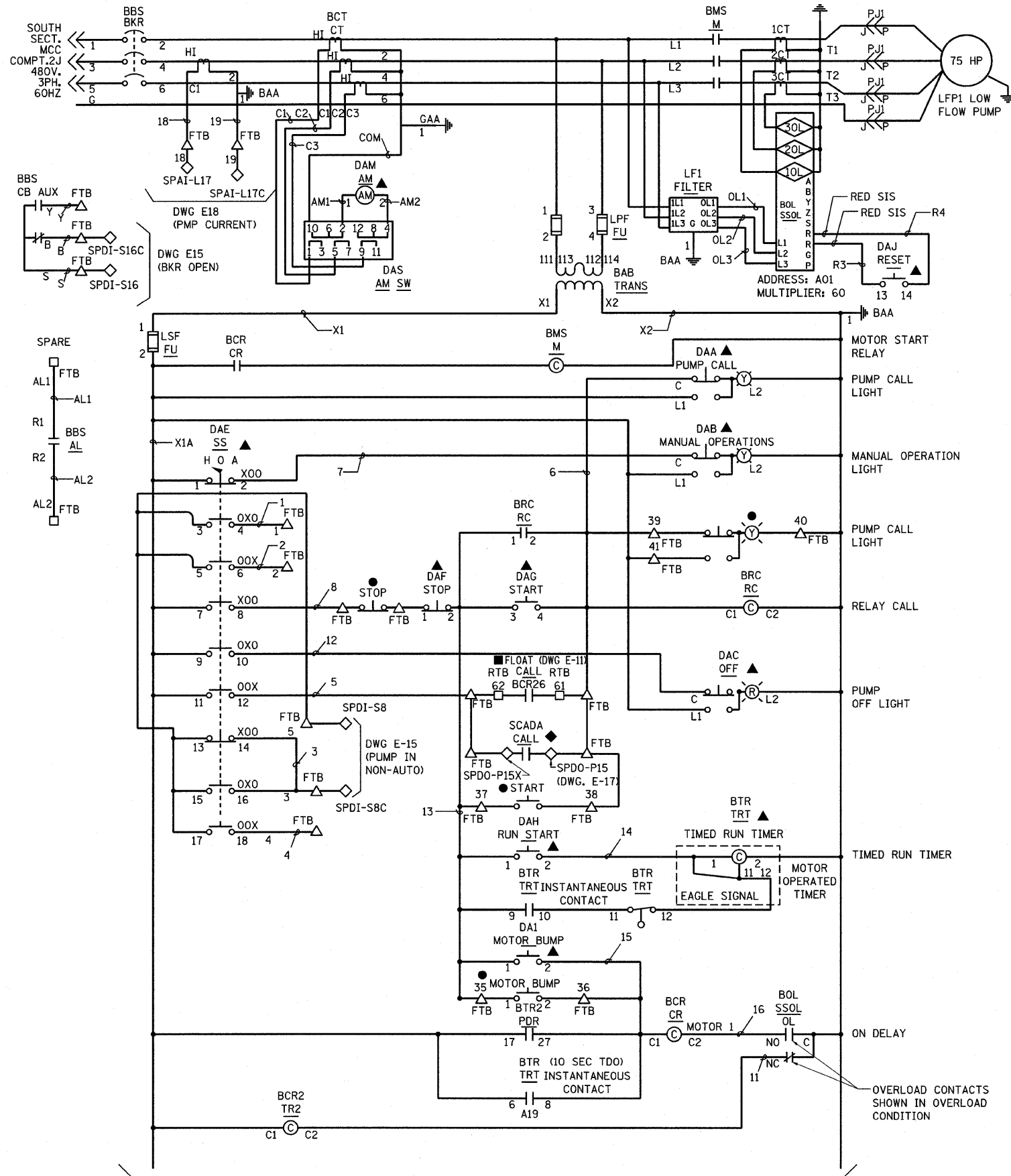
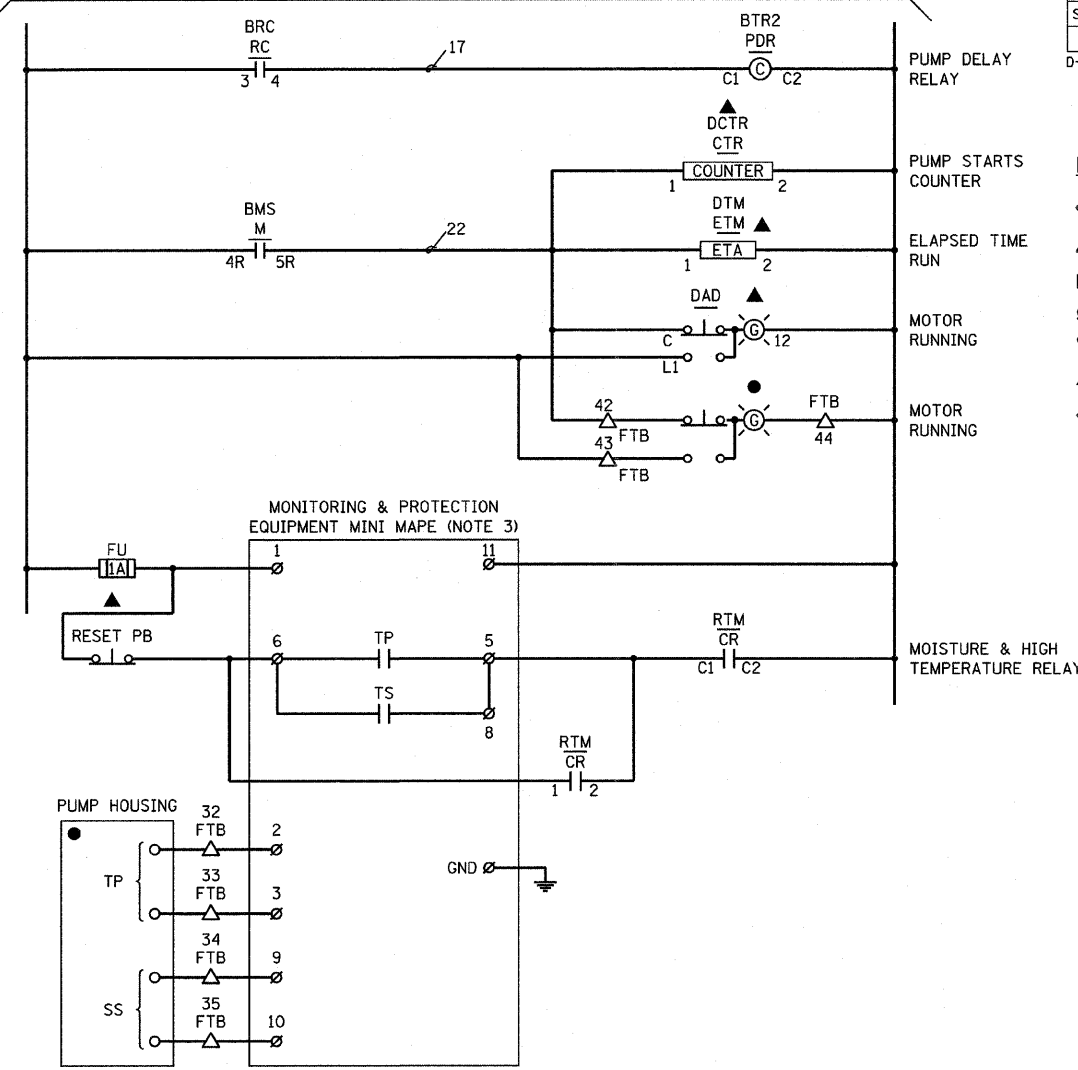


F.A.P. RTE.	SECTION	COUNTY	TOTAL SHEETS	SHEET NO.
90/94	1999-161-1	COOK	75	50
STA. _____		TO STA. _____		
FED. ROAD DIST. NO. _____		ILLINOIS FED. AID PROJECT		
D-91-411-99				

LOW FLOW PUMP (LFP-1) CONTROL SCHEMATIC



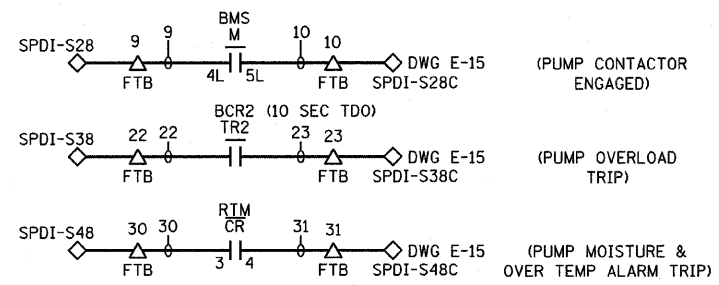
CONTINUED BELOW @ LEFT



- LEGEND:**
- ◇ TERMINAL IN SCADA PANEL
 - △ TERMINAL IN MOTOR STARTER
 - TERMINAL IN CONTROL PANEL
 - ⊗ TERMINAL IN MINI-MAPE
 - DEVICE LOCALLY MOUNTED
 - ▲ DEVICE LOCATED ON MCC COMPARTMENT DOOR
 - ◆ DEVICE IN SCADA PANEL
 - DEVICE IN CONTROL PANEL

NOTES:

1. NEW STARTER, CONTROL RELAYS, TERMINAL BLOCKS & ASSOCIATED WIRING FOR LFP-1 PUMP SHALL BE INSTALLED IN MCC.
2. ALL DEVICES MOUNTED IN MOTOR STARTER UNLESS OTHERWISE NOTED.
3. COORDINATE MONITORING & PROTECTION EQUIPMENT WITH PUMP MANUFACTURER.



CONTINUED ABOVE @ RIGHT

PLOT DATE = 3/22/2010
 FILE NAME = D:\60828\sh-E-08.dgn
 PLOT SCALE = 1:1
 USER NAME = MUSEY*



REVISIONS	
NAME	DATE

ILLINOIS DEPARTMENT OF TRANSPORTATION
LOW FLOW PUMP LFP-1 CONTROL SCHEMATIC
 SCALE: VERT. NO SCALE
 HORIZ. NO SCALE
 DATE: 3/23/2010
 DRAWN BY: B.K.
 CHECKED BY: M.Z.