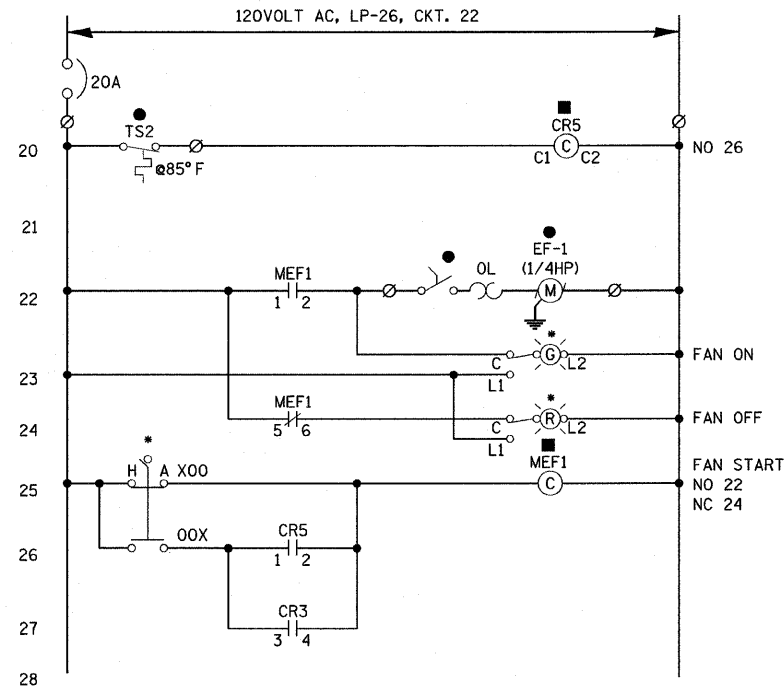
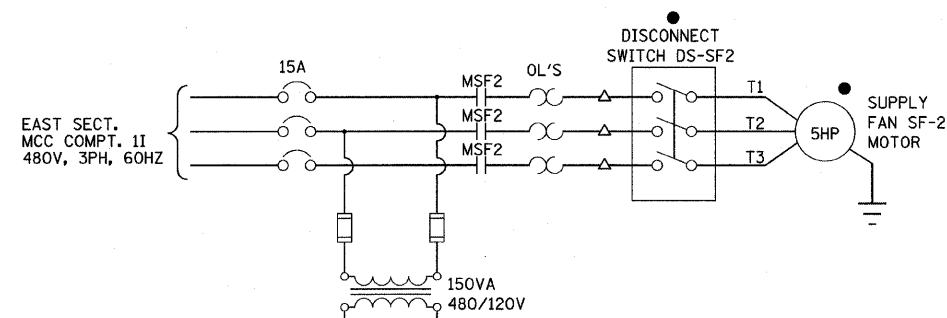
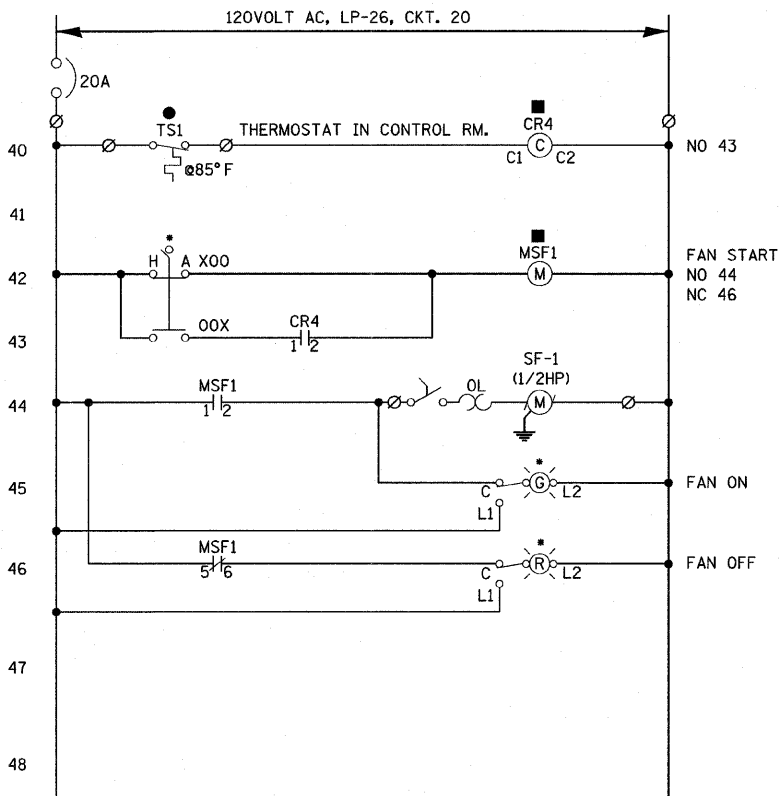


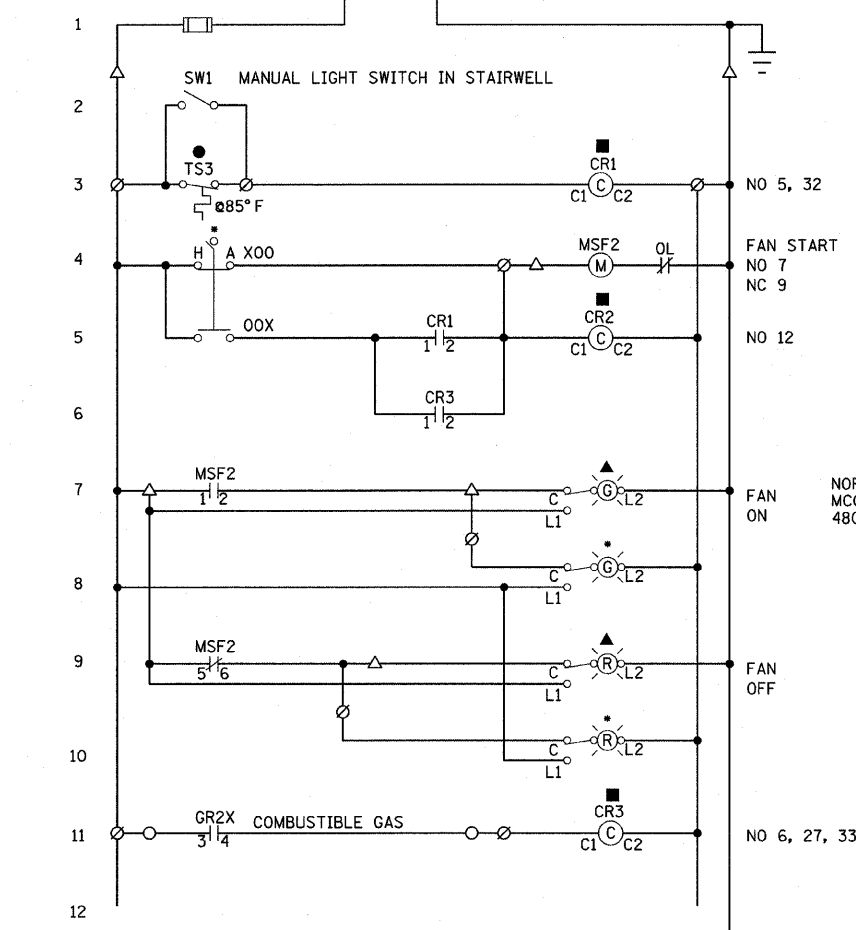
F.A.P. RTE.	SECTION	COUNTY	TOTAL SHEETS	SHEET NO.
90/94	1999-161-1	COOK	75	51
STA.		TO STA.		
FED. ROAD DIST. NO.		ILLINOIS	FED. AID PROJECT	
D-91-411-99				



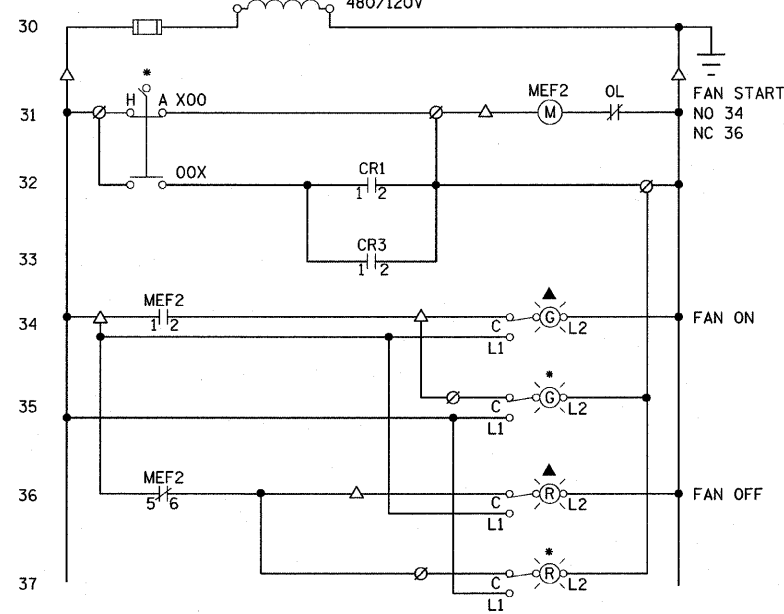
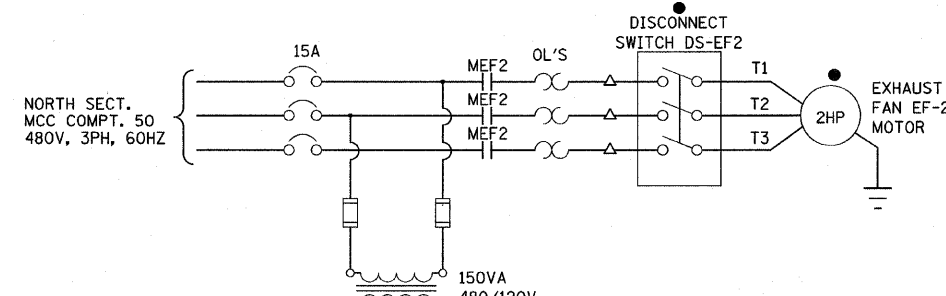
**PUMP ROOM EXHAUST FAN EF-1
(PUMP ROOM ROOF)**



**MCC ROOM SUPPLY FAN SF-1
(MCC ROOM WALL)**



**LOWER LEVEL AND WET WELL SUPPLY FAN SF-2
(PUMP ROOM ROOF)**



**LOWER LEVEL AND WET WELL EXHAUST FAN EF-2
(STAIRWELL ROOF)**

- NOTES:**
1. VENTILATION PANEL LOCATED ON THE EAST WALL IN MCC ROOM.
 2. ALL DEVICES MOUNTED IN MOTOR CONTROL CENTER UNLESS NOTED OTHERWISE.

- LEGEND:**
- △ TERMINAL IN MOTOR CONTROL CENTER
 - ▲ DEVICE LOCATED ON MOTOR STARTER DOOR
 - TERMINAL IN GAS MONITOR PANEL
 - ⊗ TERMINAL IN VENTILATION PANEL
 - DEVICE MOUNTED LOCALLY
 - DEVICE LOCATED IN VENTILATION PANEL
 - DEVICE LOCATED ON VENTILATION PANEL DOOR

REVISIONS	
NAME	DATE

ILLINOIS DEPARTMENT OF TRANSPORTATION

**VENTILATION SYSTEM CONTROL
SCHEMATICS - SHEET 1**

SCALE: VERT. NO SCALE
HORIZ. DATE: 3/23/2010

DRAWN BY: B.K.
CHECKED BY: M.Z.



PLOT DATE = 3/22/2010
FILE NAME = D:\60828-INT-E-SP.dgn
PLOT SCALE = 1:1
USER NAME = #USER#