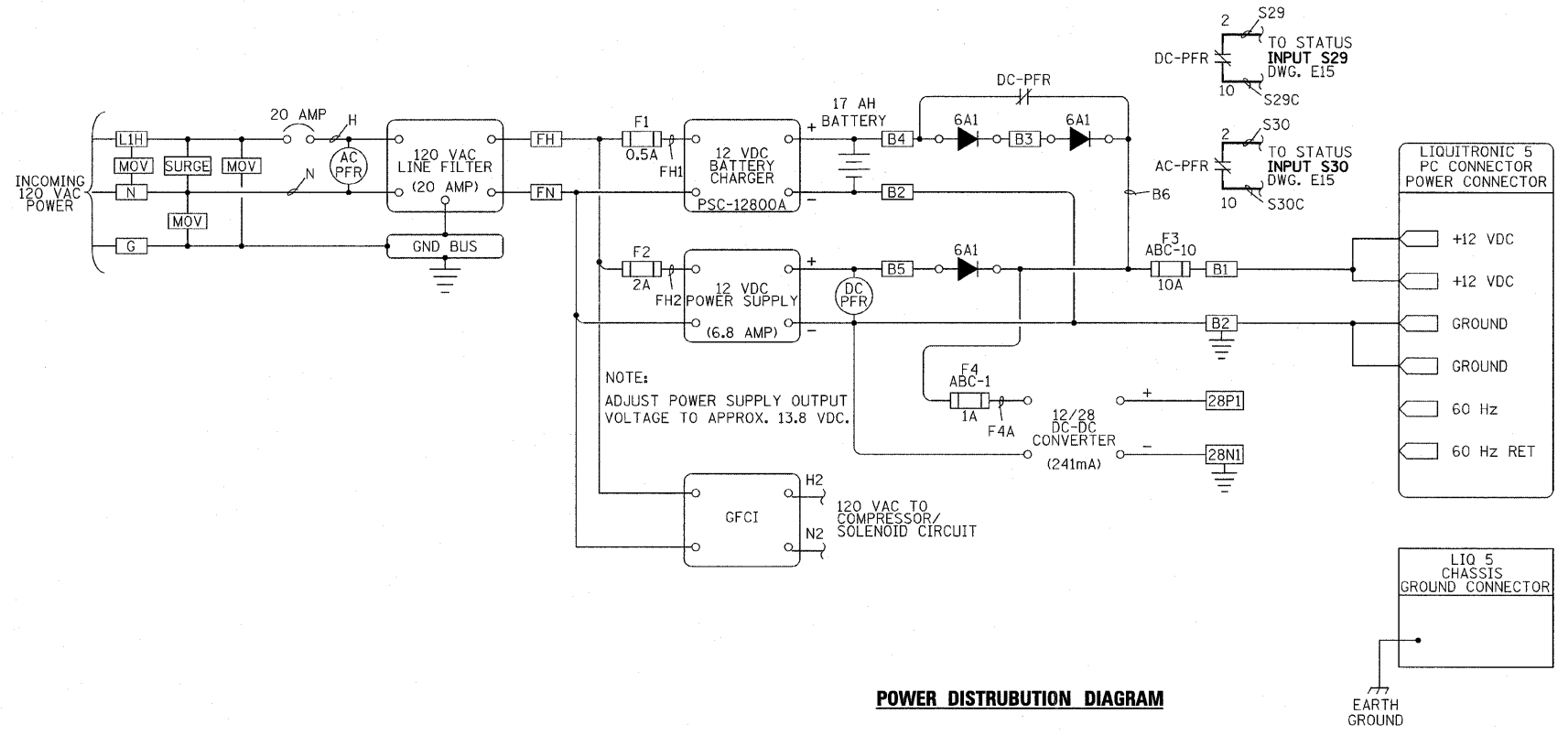
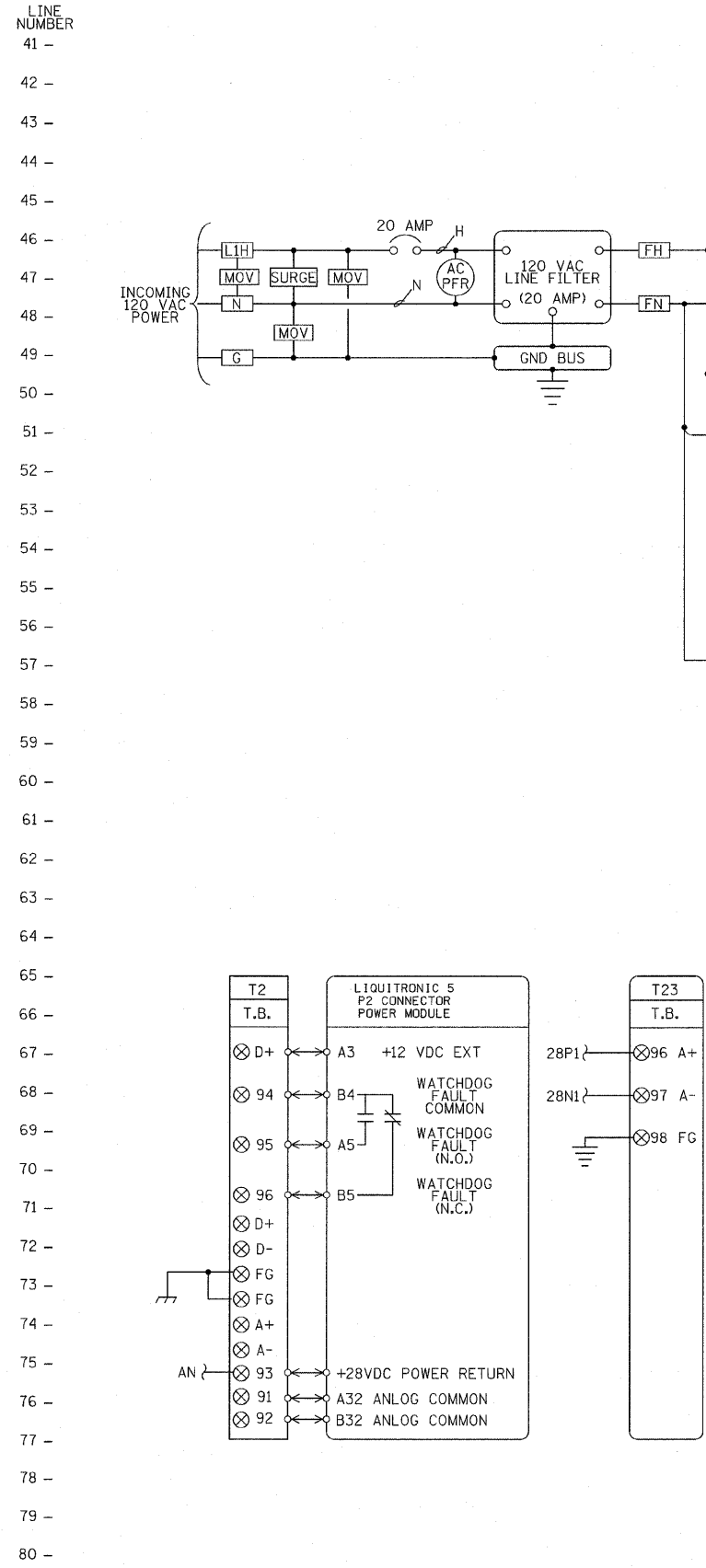
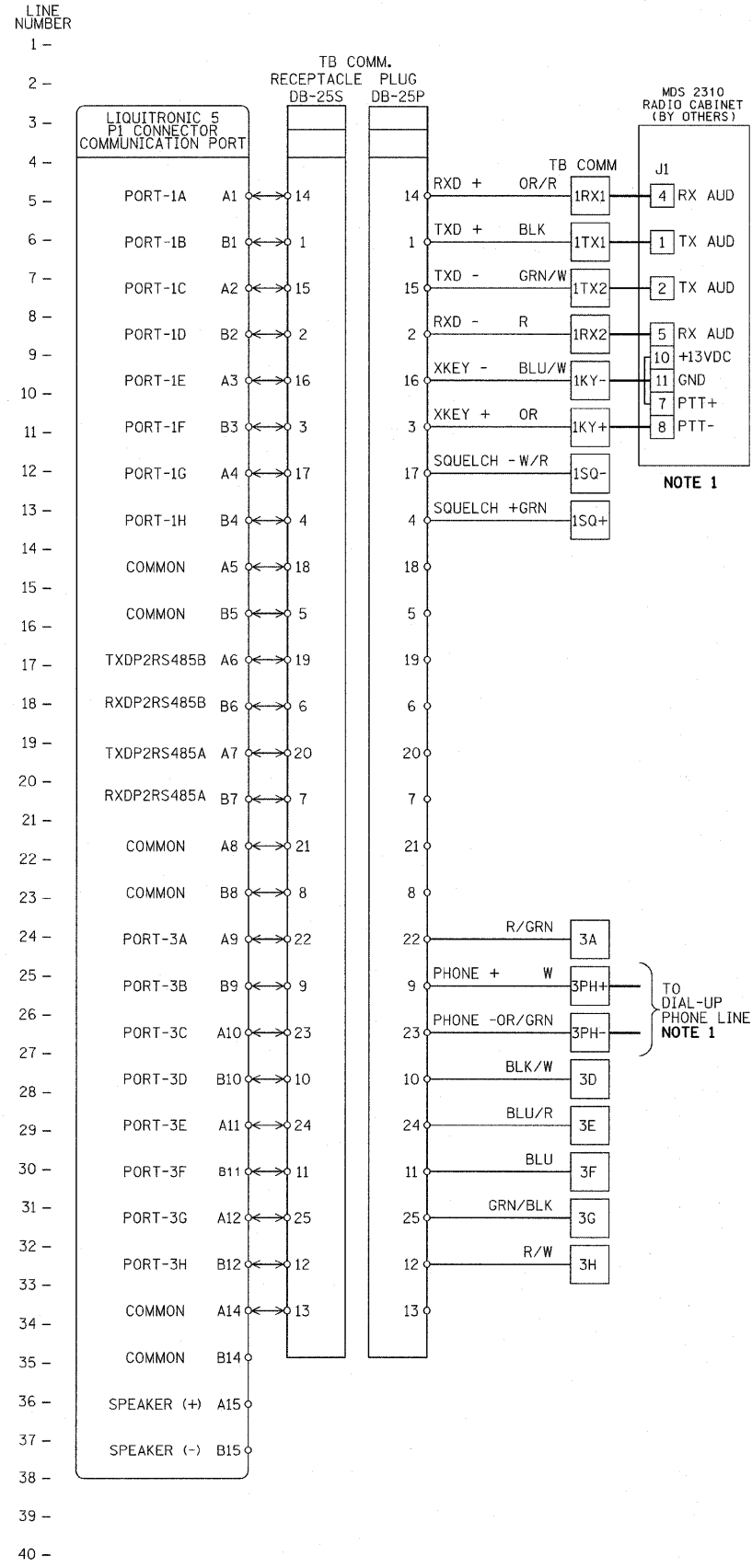


F.A.P. RTE.	SECTION	COUNTY	TOTAL SHEETS	SHEET NO.
90/94	1999-161-1	COOK	75	56
STA.		TO STA.		
FED. ROAD DIST. NO.		ILLINOIS FED. AID PROJECT		
D-91-411-99				



LEGEND:

- INTERNAL SCADA TERMINAL
- OUTSIDE DEVICE TERMINAL

NOTES:

1. RADIO CABINET WITH DIALER SHALL BE RELOCATED AND MOUNTED AT EAST WALL OF CONTROL ROOM. NEW CABLES SHALL BE INSTALLED.
2. ALL CHANGES TO BE MADE IN SCADA PANEL SHOWN IN BOLD.

PLOT DATE = 3/22/2010
 FILE NAME = D:\60828-91-E-14.dgn
 PLOT SCALE = 1:1
 USER NAME = MUSEY



REVISIONS	
NAME	DATE

ILLINOIS DEPARTMENT OF TRANSPORTATION

SCADA PANEL SCHEMATIC/WIRING DIAGRAM

SHEET 1

SCALE: VERT. NO SCALE
 HORIZ. NO SCALE
 DATE: 3/23/2010

DRAWN BY: B.K.
 CHECKED BY: M.Z.