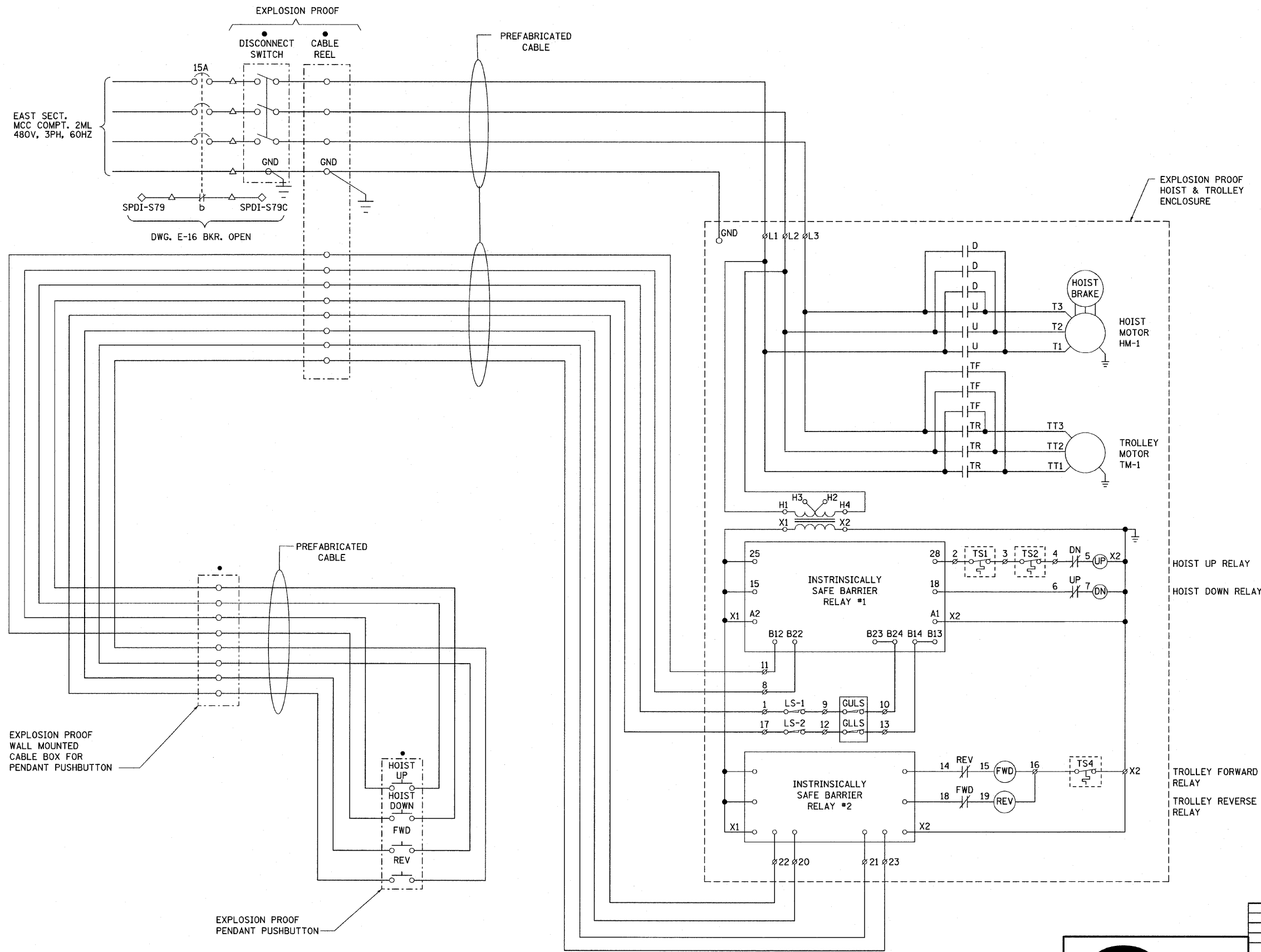


F.A.P. RTE.	SECTION	COUNTY	TOTAL SHEETS	SHEET NO.
90/94	1999-161-1	COOK	75	66
STA.		TO STA.		
FED. ROAD DIST. NO.	ILLINOIS	FED. AID PROJECT		
D-91-411-99				



**LEGEND:**

- △ TERMINAL LOCATED IN MOTOR STARTER
- TERMINAL LOCATED IN CONTROL PANEL
- ◇ TERMINAL LOCATED IN SCADA PANEL
- ▲ DEVICE LOCATED ON MOTOR STARTER DOOR
- ⊗ TERMINAL LOCATED IN YALE CONTROL BOX
- DEVICE LOCALLY MOUNTED

- LS1 - UPPER LIMIT SWITCH
- LS2 - LOWER LIMIT SWITCH
- GULS - GEARED UPPER LIMIT SWITCH
- GLLS - GEARED LOWER LIMIT SWITCH
- TS1, TS2 - HOIST MOTOR TEMPERATURE SWITCH
- TS4 - TROLLEY MOTOR TEMPERATURE SWITCH

**NOTES:**

1. FOR PROPER LIMIT SWITCH OPERATION THE HOIST LOAD BLOCK MUST TRAVEL UP WHEN THE UP BUTTON IS DEPRESSED. IF THE LOAD BLOCK TRAVELS DOWN, REVERSE ANY TWO LINE LEADS (L1, L2 OR L3)
2. VERIFY WIRING WITH VENDOR AFTER EQUIPMENT IS PURCHASED.

PLOT DATE = 3/22/2010  
 FILE NAME = D:\68828-eh-E-24.dgn  
 PLOT SCALE = 1:1  
 USER NAME = JUSERN

REVISIONS	
NAME	DATE

ILLINOIS DEPARTMENT OF TRANSPORTATION

**STAIRWELL (TRASHBIN)  
 JIB CRANE CONTROL SCHEMATIC**

SCALE: VERT. NO SCALE  
 HORIZ. NO SCALE  
 DATE: 3/23/2010

DRAWN BY: B.K.  
 CHECKED BY: M.Z.

