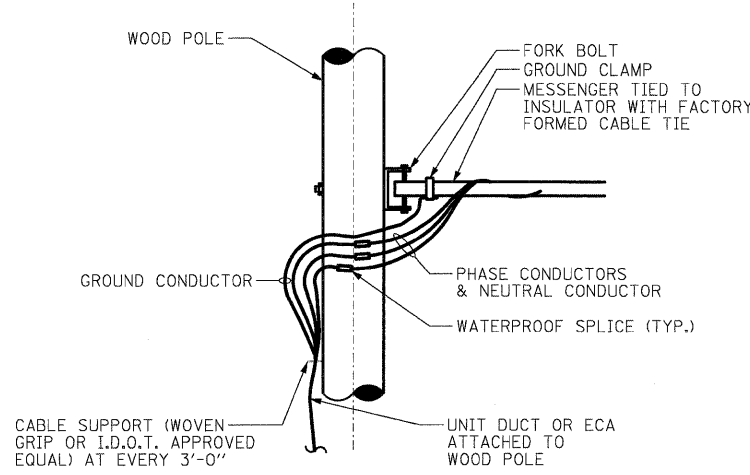
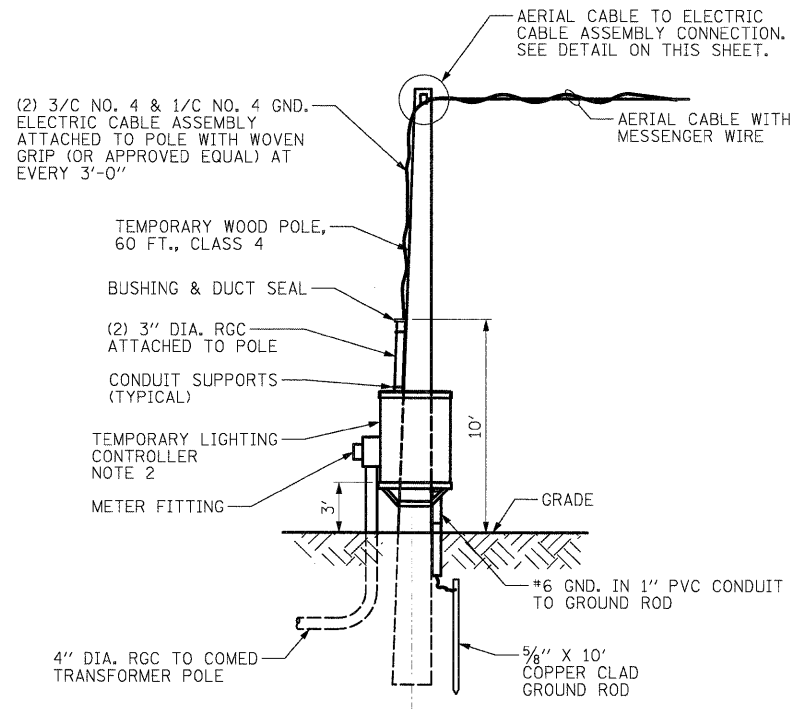


NOTES:

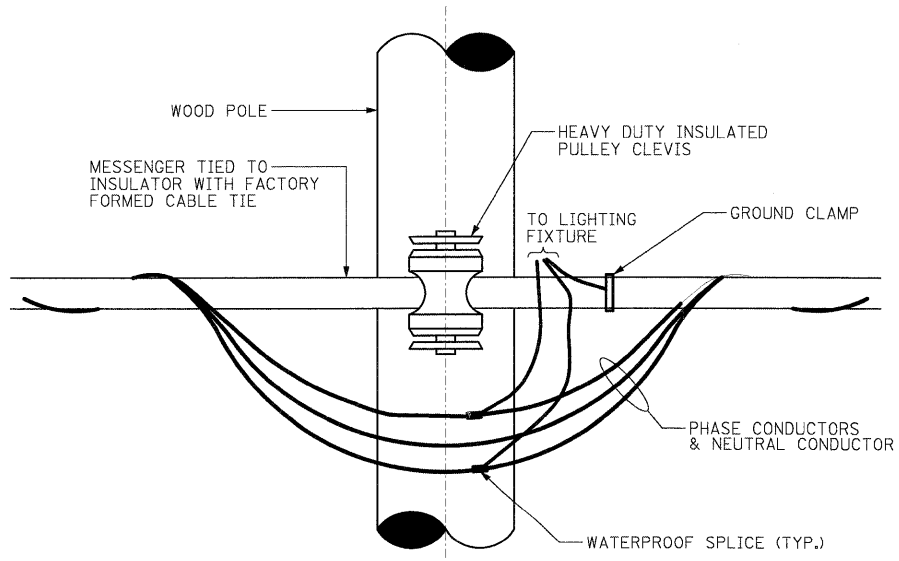
1. TEMPORARY WOOD POLE AND CONTROLLER MOUNTING HARDWARE AND RELATED APPURTENANCES SHALL BE INCLUDED IN TEMPORARY LIGHTING CONTROLLER PAY ITEM.
2. SEE DRAWING RL-D2 FOR CONTROLLER CABINET DETAILS AND RL-D3 FOR CONTROLLER WIRING DIAGRAM.
3. THE COST OF ALL CONDUITS ATTACHED TO WOOD POLE, GROUND ROD, AND GROUND WIRES SHALL BE INCLUDED IN THE COST OF ELECTRIC SERVICE INSTALLATION PAY ITEM. NO SEPARATE PAYMENT WILL BE MADE.
4. TEMPORARY LUMINAIRE SHALL BE HORIZONTAL MOUNTED 750W HPS, HIGH MAST LUMINAIRE.
5. THE COST OF CLASS SI CONCRETE SHALL BE INCLUDED IN THE COST OF "LIGHT POLE, WOOD, 100 FOOT, CLASS 1, WITH 15FT MAST ARM" PAY ITEM. NO SEPARATE PAYMENT WILL BE MADE.



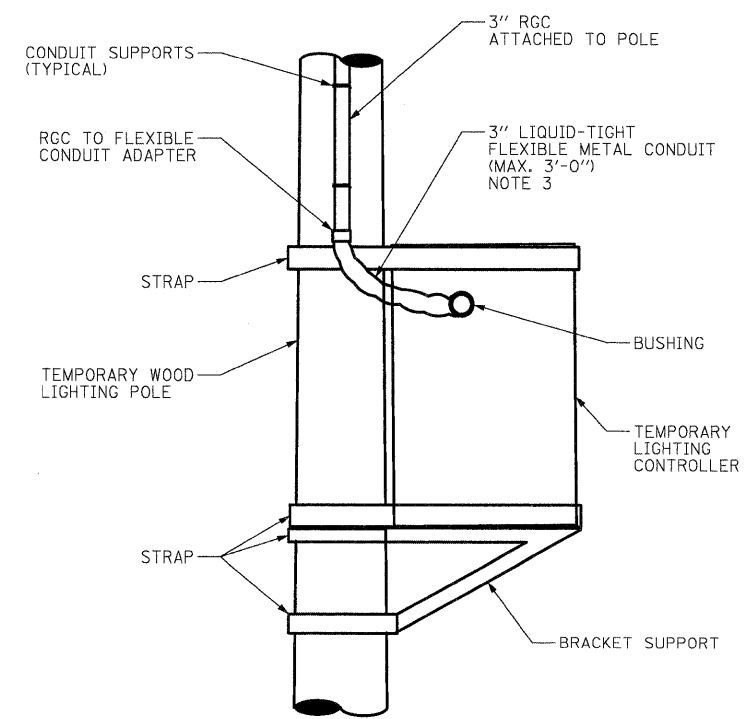
AERIAL CABLE TO ELECTRIC CABLE ASSEMBLY CONNECTION DETAIL
N.T.S.



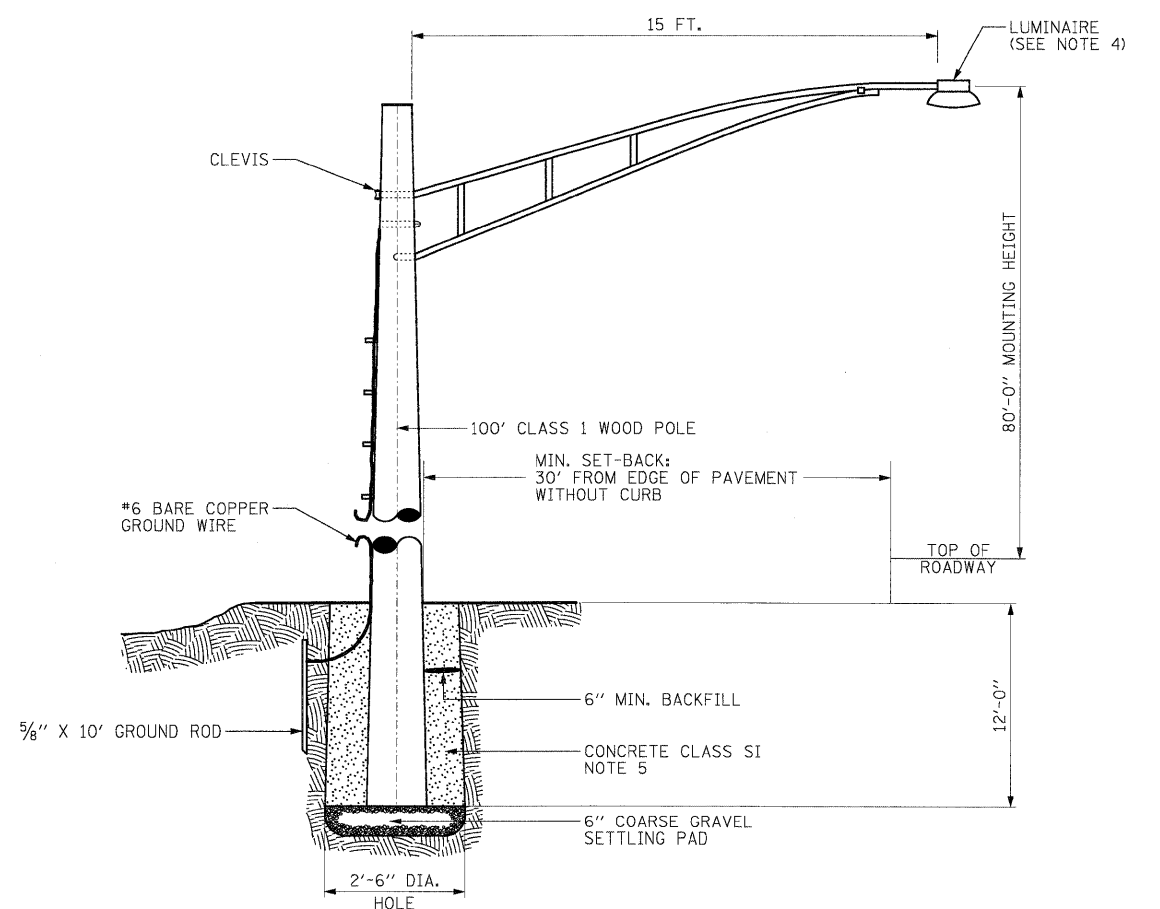
TEMPORARY LIGHTING CONTROLLER INSTALLATION DETAIL
N.T.S.



TEMPORARY LIGHT POLE CABLE ATTACHMENT DETAIL
N.T.S.



TEMPORARY LIGHTING CONTROLLER WIRING INSTALLATION DETAIL
N.T.S.



TEMPORARY LIGHT POLE INSTALLATION DETAIL
N.T.S.

McDonough Associates Inc.
 Engineers / Architects
 130 East Randolph Street, Chicago, Illinois 60601

FILE NAME = D:\60C31-SHT-EDetail\01.dgn	USER NAME = TKluegel	DESIGNED - JLW	REVISED -
PLOT SCALE = 1:1	DRAWN - CJM	CHECKED - KMY	REVISED -
PLOT DATE = 12/11/2009	DATE - 12/18/09		REVISED -

**STATE OF ILLINOIS
DEPARTMENT OF TRANSPORTATION**

**I-55 AT ARSENAL ROAD
TEMPORARY LIGHTING DETAILS**

SCALE: AS NOTED	SHEET NO. 1 OF 4 SHEETS	STA. TO STA.	F.A.I. RTE. 55	SECTION (99-1&2)AC-3	COUNTY WILL	TOTAL SHEETS 524	SHEET NO. 295
						CONTRACT NO. 60C31	
FED. ROAD DIST. NO. 1 ILLINOIS FED. AID PROJECT							

FINAL