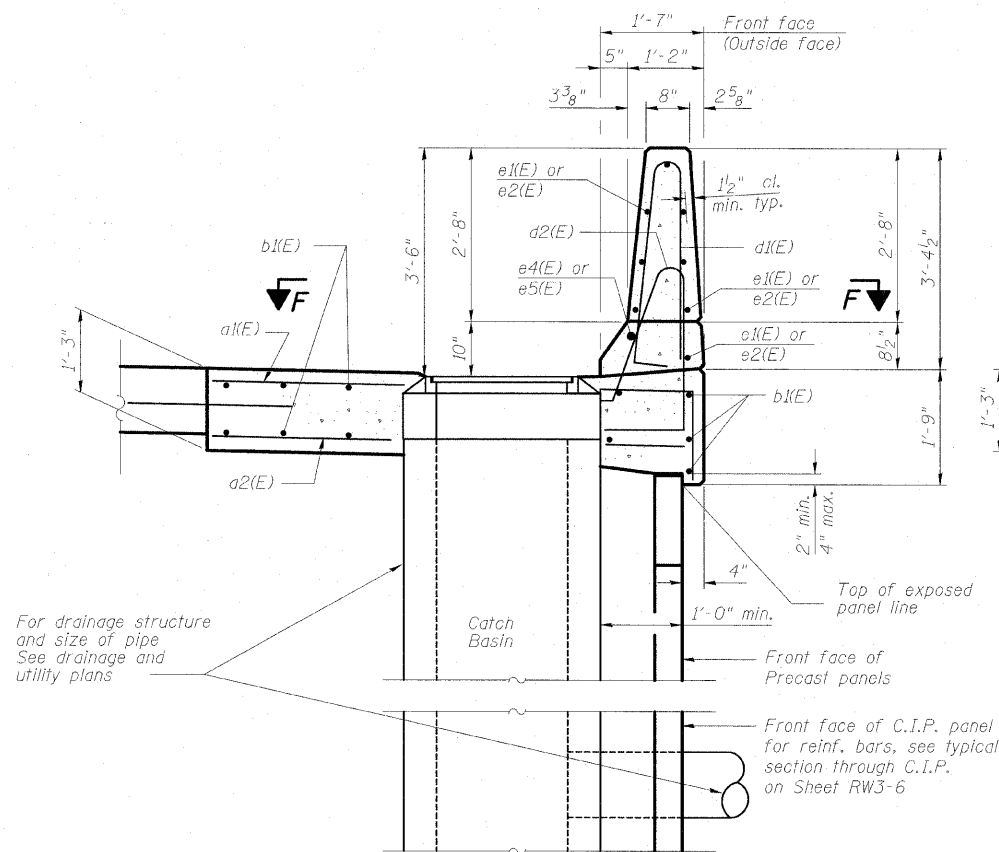
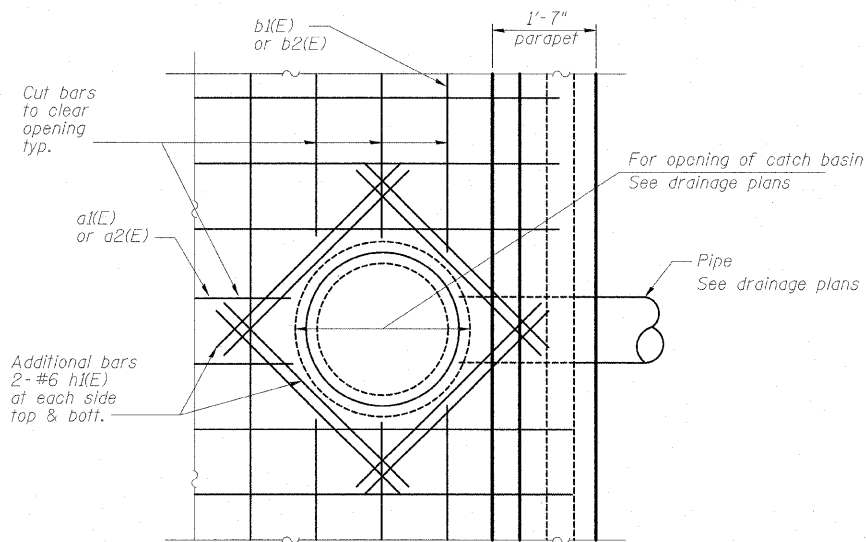


STATE OF ILLINOIS
DEPARTMENT OF TRANSPORTATION



DETAIL "2"

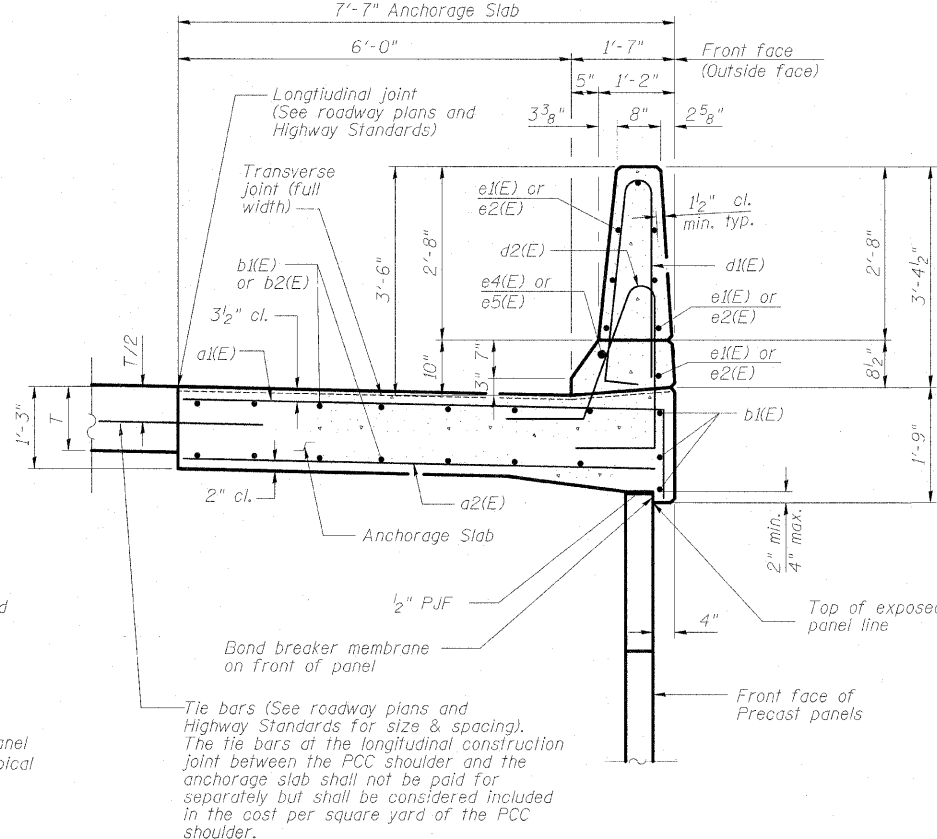
SECTION THRU ANCHORAGE SLAB & PARAPET AT CATCH BASINS



SECTION F-F

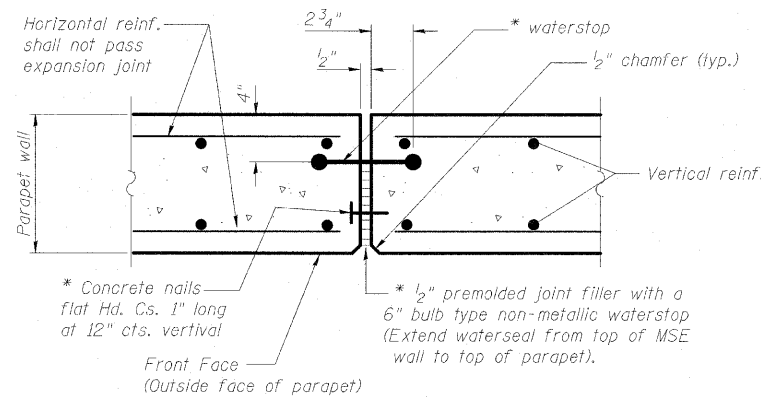
DETAIL "3" PLAN AT DRAINAGE

DESIGNED	PMH
CHECKED	MJL
DRAWN	RJ
CHECKED	BKB



DETAIL "1"

SECTION THRU ANCHORAGE SLAB & PARAPET



EXPANSION JOINT DETAILS IN PARAPET

For expansion joints in anchorage slab, see Roadway Plans and Highway Standards. (STD 420001-07)
* Cost included with "Concrete Structures".

Note:

The parapet and anchorage slab are not part of this contract, therefore the wall system designer shall design the wall to meet all stability requirements without the parapet and anchorage slab in place.

Note:

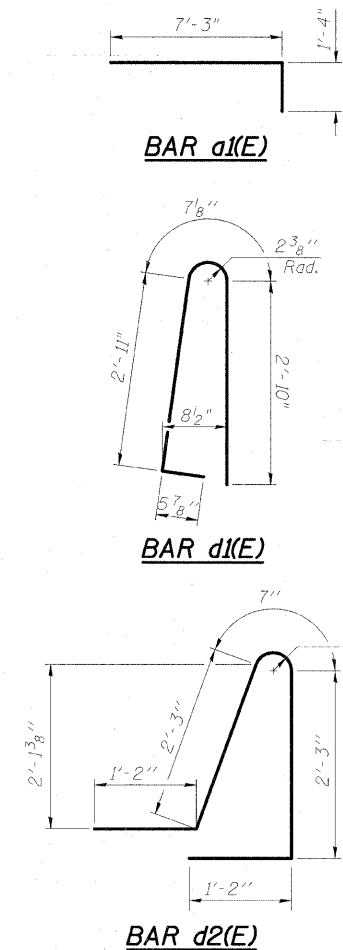
Bars indicated thus 8x3-#5 indicates 8 lines of bars with 3 lengths per line.

Anchorage slab & parapet will be paid under item "Concrete Structures".

Note:

Slip forming of the parapet is not allowed.

Parapet and Anchorage Slab are not part of this Contract



MSE WALL - BILL OF MATERIAL

Bar	No.	Size	Length	Shape
a1(E)	962	#6	8'-7"	
a2(E)	962	#6	7'-3"	
b1(E)	510	#5	31'-3"	
b2(E)	34	#5	26'-6"	
d1(E)	1080	#5	6'-10"	
d2(E)	1080	#5	7'-5"	
e1(E)	480	#4	14'-8"	
e2(E)	32	#4	12'-6"	
e4(E)	60	#8	14'-8"	
e5(E)	4	#8	12'-6"	
h1(E)	64	#6	5'-0"	
Structure Excavation		Cu. Yd.	689	
Concrete Structures		Cu. Yd.	472.5	
Reinforcement Bars, Epoxy Coated		Pound	64,430	
Mechanically Stabilized Earth Retaining Wall		Sq. Ft.	12,022	
Rock Excavation for Structures		Cu. Yd.	114.1	
Removal and Disposal of unsuitable material for Structures		Cu. Yd.	424	

SECTIONS AND DETAILS
STRUCTURE NO. 099-W028

McDonough Associates Inc.
Engineers / Architects
130 East Randolph Street
Chicago, Illinois 60601
(312) 946-8600

SHEET NO. RW3-7 SHEETS RW3-12	F.A.I. RTE.	SECTION	COUNTY	TOTAL SHEETS	SHEET NO.
	55	(99-1&2) AC-3	WILL	524	317
FED. ROAD DIST. NO. 1 ILLINOIS FED. AID PROJECT				CONTRACT NO. 60C31	