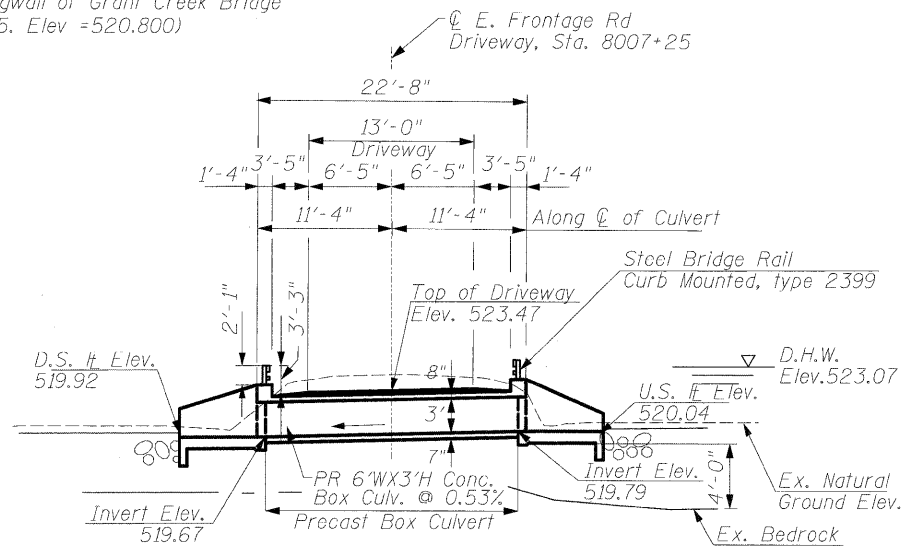
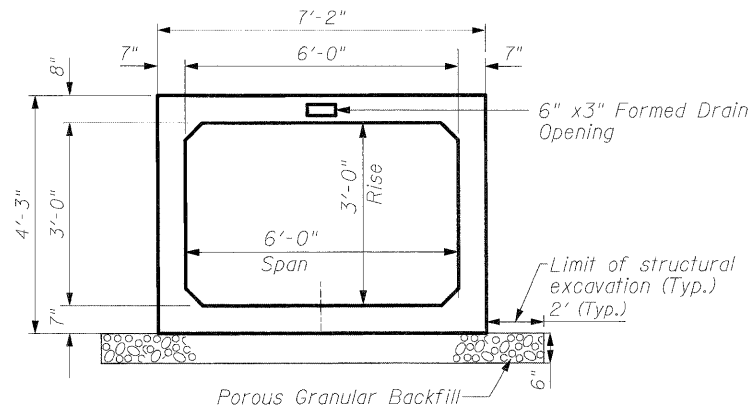


Bench Mark: BM 1
 (Box Cut at top of SE Wingwall of Grant Creek Bridge
 on E. Frontage Rd of I-55. Elev =520.800)
 Existing Structures: None

STATE OF ILLINOIS
 DEPARTMENT OF TRANSPORTATION



LONGITUDINAL SECTION
 N.T.S.



SECTION THRU BARREL
 N.T.S.

DESIGN SPECIFICATIONS
 AASHTO 2002

LOADING HS-20-44

Allow 50 lbs/sq. ft. for future wearing surface.

DESIGN STRESSES

FIELD UNITS

Cast-In-Place Units

$f'_c = 3,500$ psi (Concrete)

$f_y = 60,000$ psi (Reinforcement)

Precast Units

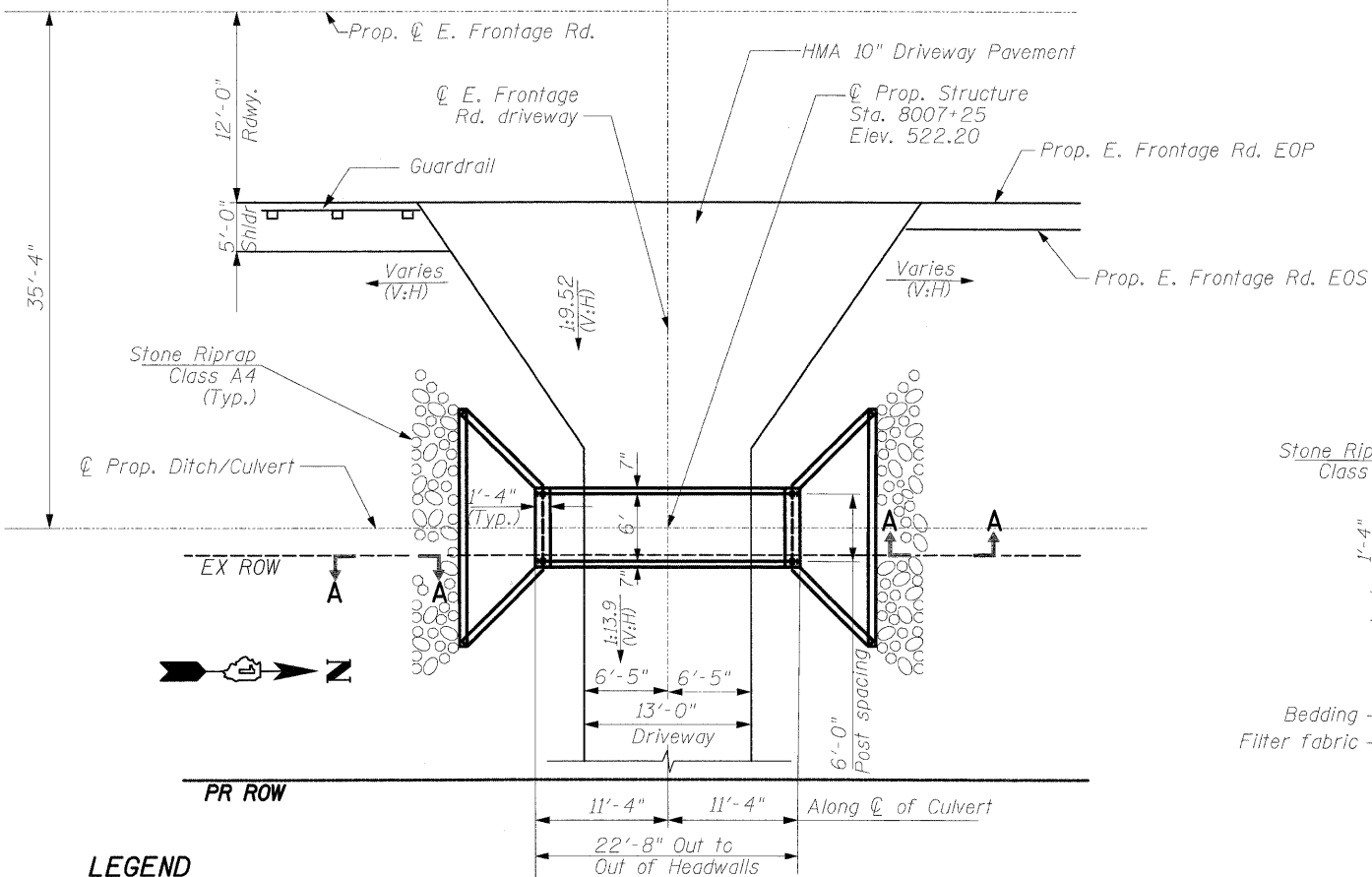
$f'_c = 5,000$ psi (Concrete)

$f_y = 65,000$ psi (Welded Wire Fabric)

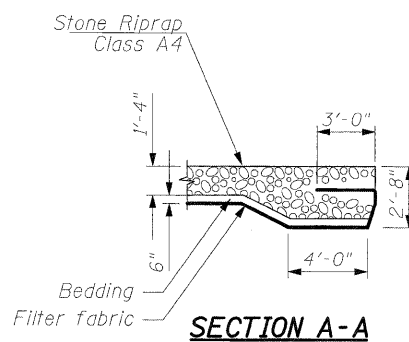
SEISMIC DATA

Seismic Performance Zone (SPC) = A
 Bedrock Acceleration Coeff.(A) = 0.04g
 Site Coefficient (S) = 1.0

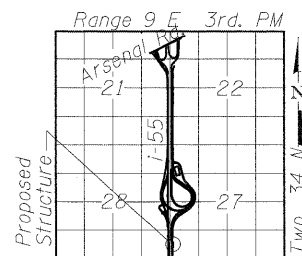
RBN-02



PLAN
 N.T.S.



SECTION A-A



LOCATION SKETCH

WATERWAY INFORMATION

Drainage Area = 0.177 sq. mi. Low Grade Elev. 525.16 @ Sta. 8007+25 E. Frontage Rd.

| Flood | Freq. Yr. | Q C.F.S. | Opening Sq.Ft. | | Nat. H.W.E. | Head -Ft. | | Headwater El. | |
|-------------|-----------|----------|----------------|-------|-------------|-----------|-------|---------------|--------|
| | | | Exist. | Prop. | | Exist. | Prop. | Exist. | Prop. |
| Design | 50 | 91 | N/A | 9.7 | 521.91 | N/A | 1.16 | N/A | 523.07 |
| Base | 100 | 114 | N/A | 10.9 | 522.20 | N/A | 1.32 | N/A | 523.52 |
| Overtopping | | | | | | | | | |

**GENERAL PLAN & ELEVATION
 EAST FRONTAGE ROAD DRIVEWAY
 OVER UNNAMED DITCH
 F.A.I. ROUTE 55 - SEC. (99-1&2)AC-3
 WILL COUNTY
 STATION 8007+25
 STRUCTURE NO. 099-3034**

LEGEND

Soil Boring Location

| | |
|----------|----|
| DESIGNED | VP |
| CHECKED | CL |
| DRAWN | VP |
| CHECKED | SP |

SINGH
 SINGH & ASSOCIATES, INC.
 CONSULTING ENGINEERS
 300 W. ADAMS ST.
 CHICAGO, IL 60606
 TEL: (312) 629-0240
 FAX: (312) 629-8449

SHEET NO.
 SHEETS

| F.A.I. RTE. | SECTION | COUNTY | TOTAL SHEETS | SHEET NO. |
|--------------------------------|---------------------------|--------------------|--------------|-----------|
| 55 | (99-1&2)AC-3 | WILL | 524 | 323 |
| Sta. 8007+25 (E. Frontage Rd.) | | CONTRACT NO. 60C31 | | |
| FED. RD. DIST. NO. 1 | ILLINOIS FED. AID PROJECT | | | |

12/11/2009 10:18:13 PM \$FILES\$

FINAL

SB-01