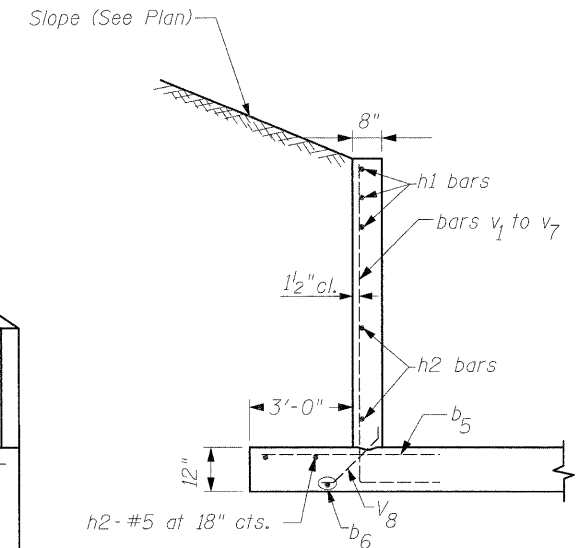
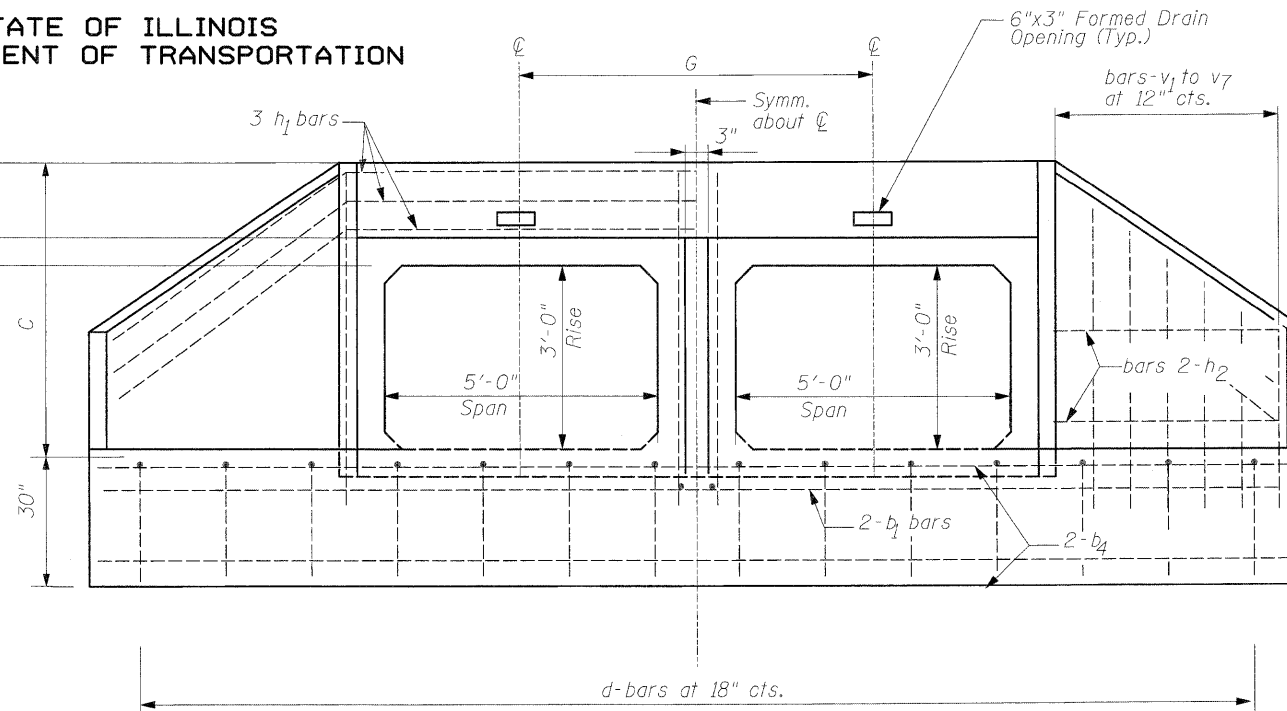
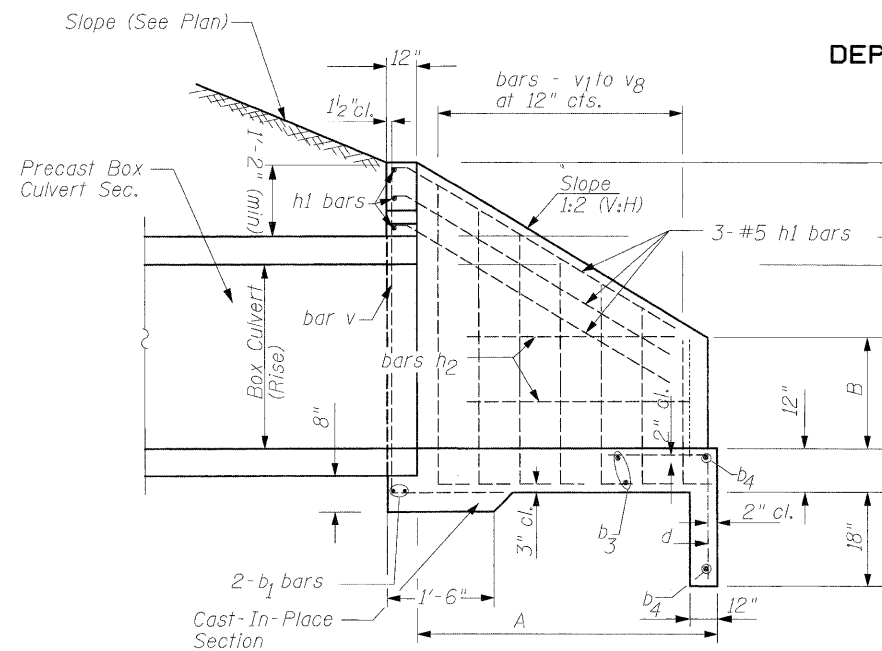
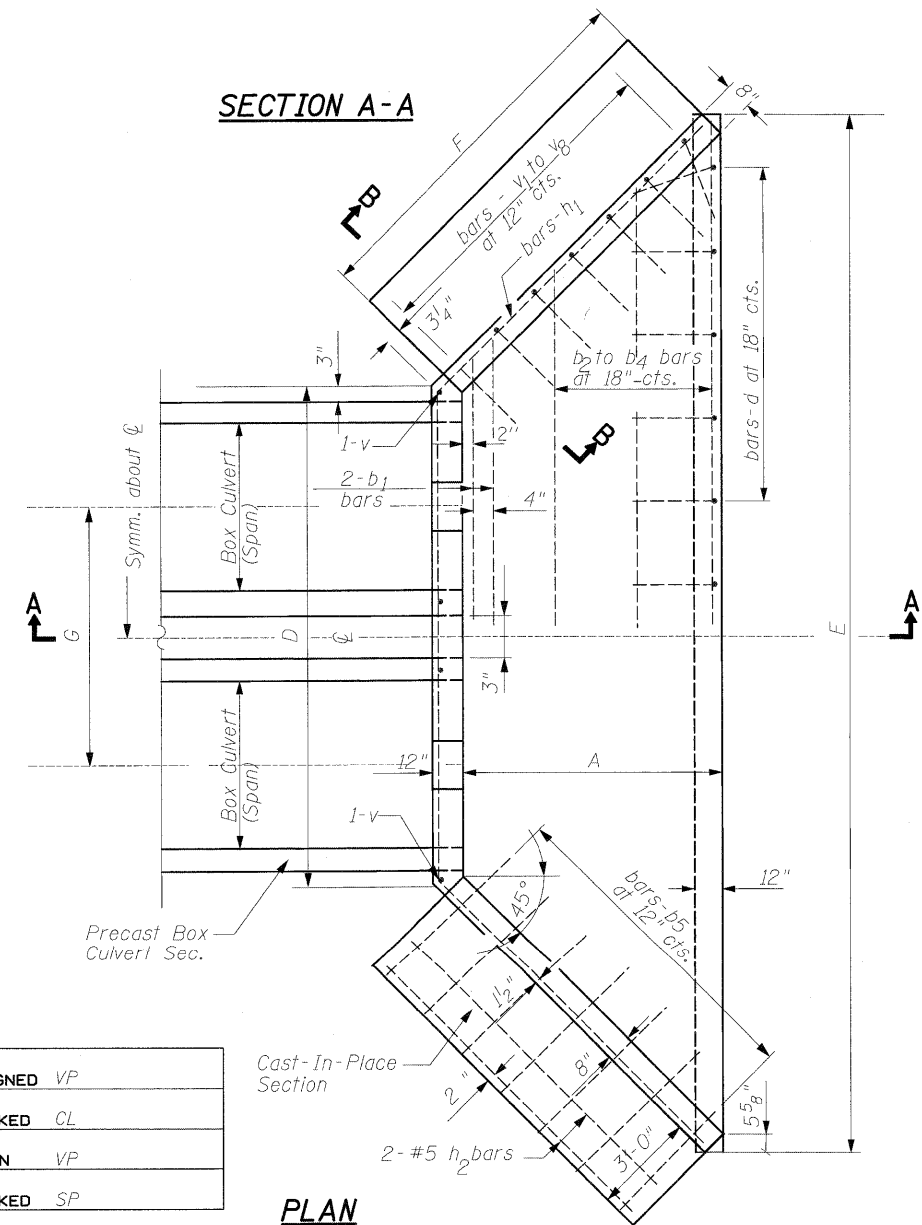


STATE OF ILLINOIS
DEPARTMENT OF TRANSPORTATION



SECTION B-B

SECTION A-A



END ELEVATION

BARS IN ONE END SECTION

Box Culvert 5'x3'	Bars	No.
d	16	
b1	2	
b2	1	
b3	2	
b4	2	
b5	14	
b6	2	
h1	3	
h2	4	
v	4	
v1	2	
v2	2	
v3	2	
v4	2	
v5	2	
v6	2	
v7	2	
v8	14	

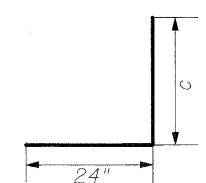
DIMENSIONS OF STRAIGHT BARS

Bar	Size	Length
b1	No. 5	12'-9"
b2	No. 4	15'-9"
b3	No. 4	18'-9"
b4	No. 4	21'-9"
b5	No. 4	5'-0"
b6	No. 4	6'-3"
h2	No. 5	9'-8"

DIMENSIONS OF BENT BARS

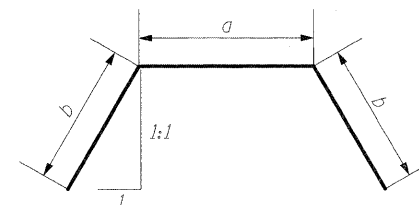
No. 5 - bars h1			
BARS	a	b	Total Length
h1	12'-5"	6'-8"	25'-9"
No. 5 - bars v to v7			
BARS	c	Total Length	
v	5'-1"	7'-1"	
v1	5'-1"	7'-1"	
v2	4'-9"	6'-9"	
v3	4'-6"	6'-6"	
v4	4'-2"	6'-2"	
v5	3'-11"	5'-11"	
v6	3'-8"	5'-8"	
v7	3'-4"	5'-4"	

No. 4 BAR-d

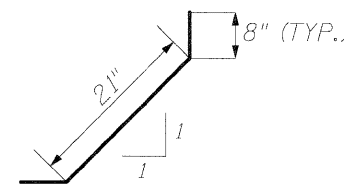


BARS - v1 to v7

BARS-h1
Bend in field



BARS-v8



DIMENSIONS AND QUANTITIES

Box Culvert	Slope of Wing Walls	Dimensions							Concrete for two (2) End Sections (Cu. Yd.)	Reinf. Bars for two (2) End Sections (Lbs.)	
		Rise	Span	A	B	C	D	E			F
36"	60"	1:2	4'-7"	34 1/2"	4'-9"	12'-9"	21'-11"	6'-9"	6'-3"	36	885

DESIGNED	VP
CHECKED	CL
DRAWN	VP
CHECKED	SP

PLAN

NOTE:

1. Cast-In-Place Reinforced Concrete End Sections shall be constructed of Class SI concrete as per Article 503.

SINGH
SINGH & ASSOCIATES, INC.
CONSULTING ENGINEERS

SHEET NO.
SHEETS

F.A.I. RTE.	SECTION	COUNTY	TOTAL SHEETS	SHEET NO.
55	(99-1&2)AC-3	WILL	524	329
Sta. 8018+74 (E. Frontage Rd.)		CONTRACT NO. 60C31		
FED. RD. DIST. NO. 1		ILLINOIS FED. AID PROJECT		