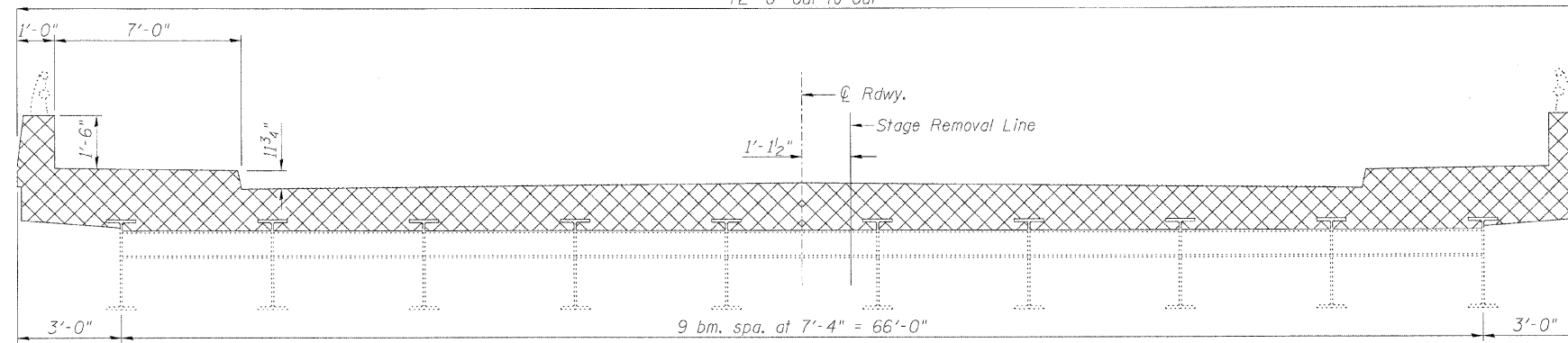


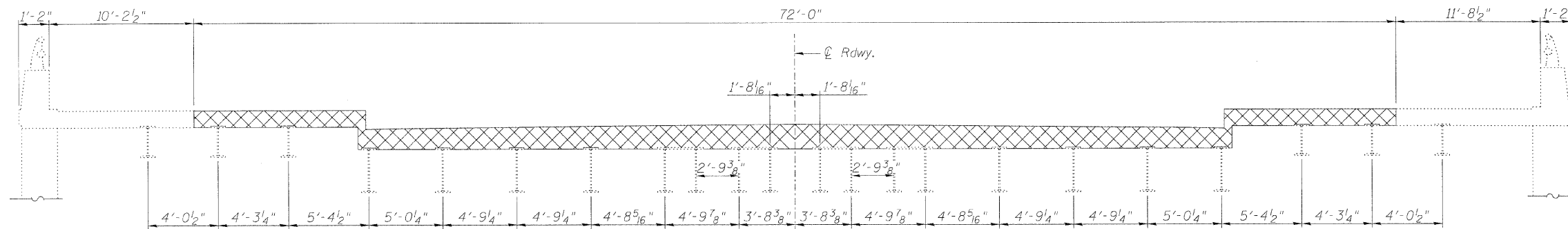
STATE OF ILLINOIS
DEPARTMENT OF TRANSPORTATION

72'-0" Out to Out

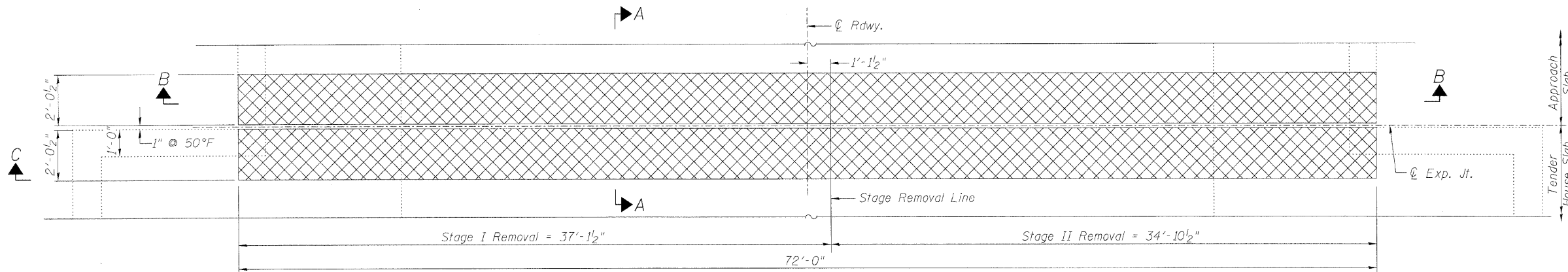


SECTION B-B

Existing rail posts in area of removal to be removed, stored and reinstalled. See sheet 12 of 17 for anchor details.

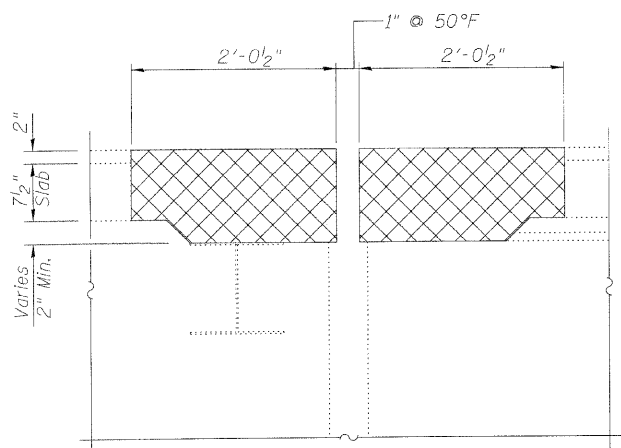


SECTION C-C



PLAN

(South Approach Slab shown, North Approach Slab similar)



SECTION A-A

Notes:

1. Cross hatched area indicates concrete removal.
2. Existing reinforcement bars in the concrete removal area extending in new construction shall be cleaned, straightened, and incorporated into the new construction. Any reinforcement bars that are damaged during concrete removal operations shall be repaired or replaced using an approved bar splicer or anchorage system. Cost included in Concrete Removal.
3. Overlay removal is included in pay item Concrete Removal.

BILL OF MATERIAL

Item	Unit	Total
Concrete Removal	Cu. Yd.	30.5

EXPANSION JOINT CONCRETE REMOVAL
AT TENDER HOUSES
STRUCTURE NO. 016-0315

<p>LIN ENGINEERING, LTD. Consulting Engineers Chatham, Illinois</p>	SHEET NO. 6	F.A.P. RTE.	SECTION	COUNTY	TOTAL SHEETS	SHEET NO.
	17 SHEETS	348	(0708.1&2323.5)B	COOK	47	17
					CONTRACT NO. 60D69	
ILLINOIS FED. AID PROJECT						