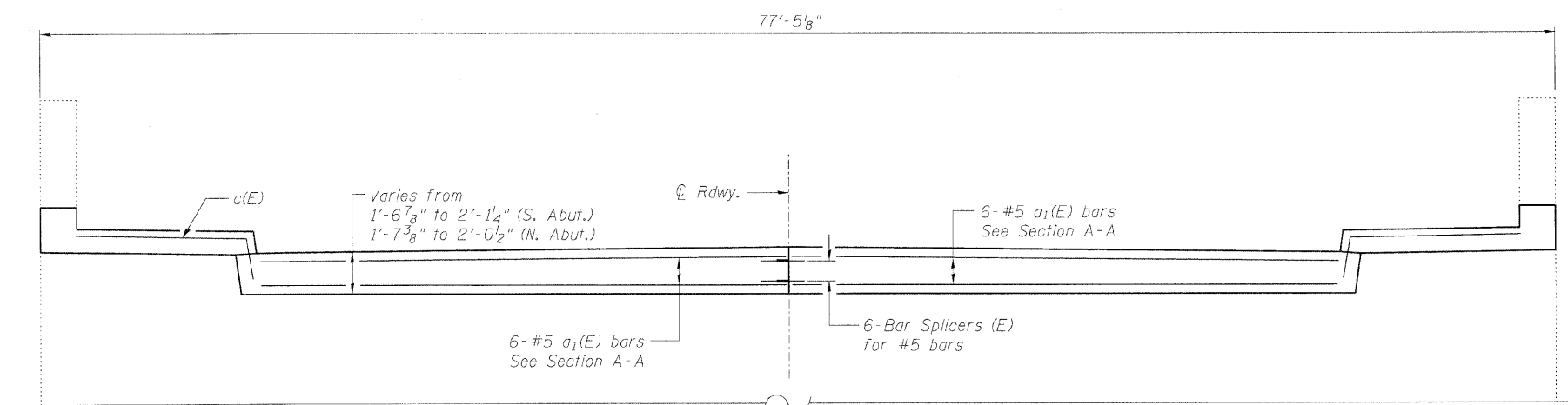
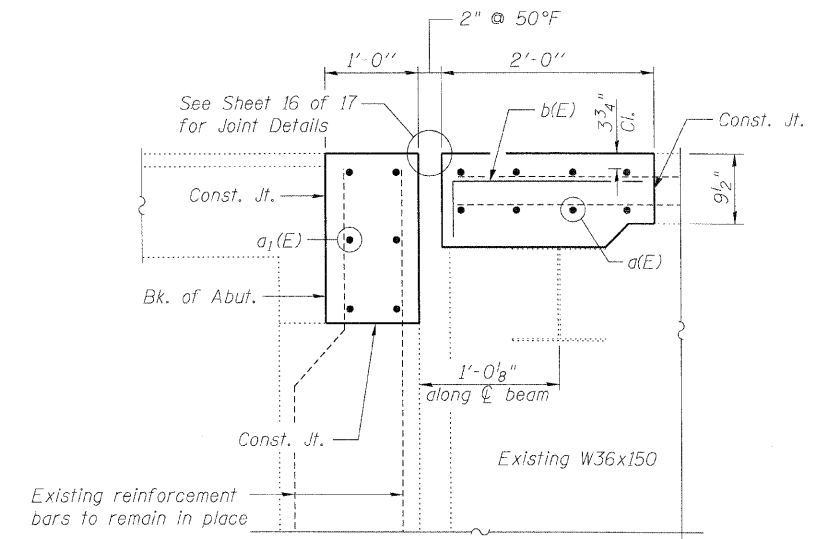


STATE OF ILLINOIS
DEPARTMENT OF TRANSPORTATION

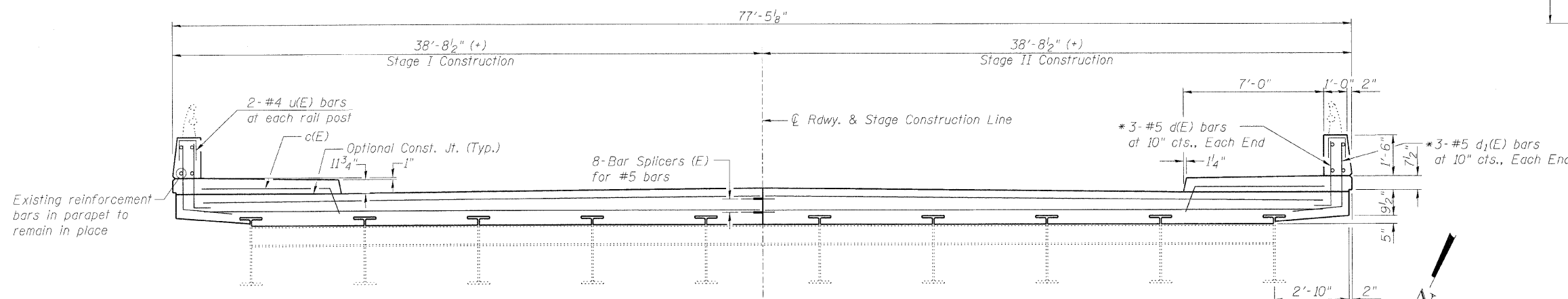


SECTION B-B

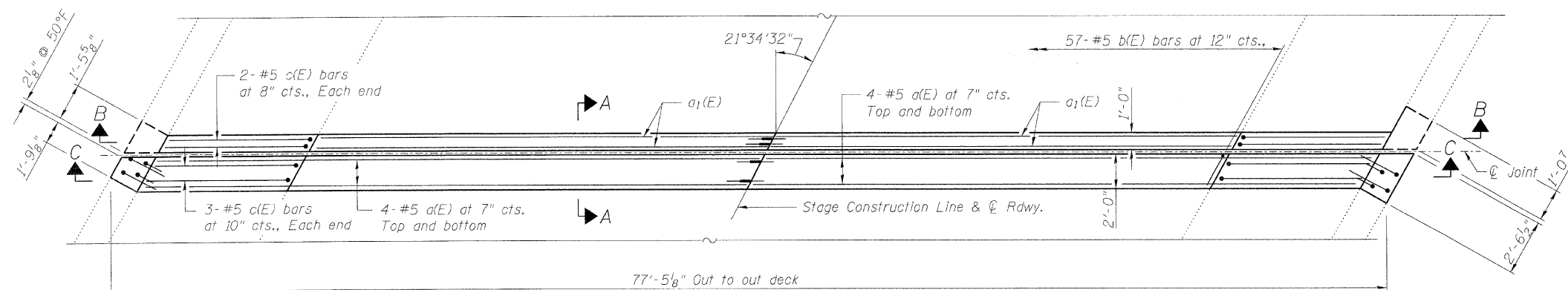


SECTION A-A

(Dimensions @ Rt. L's unless otherwise noted)

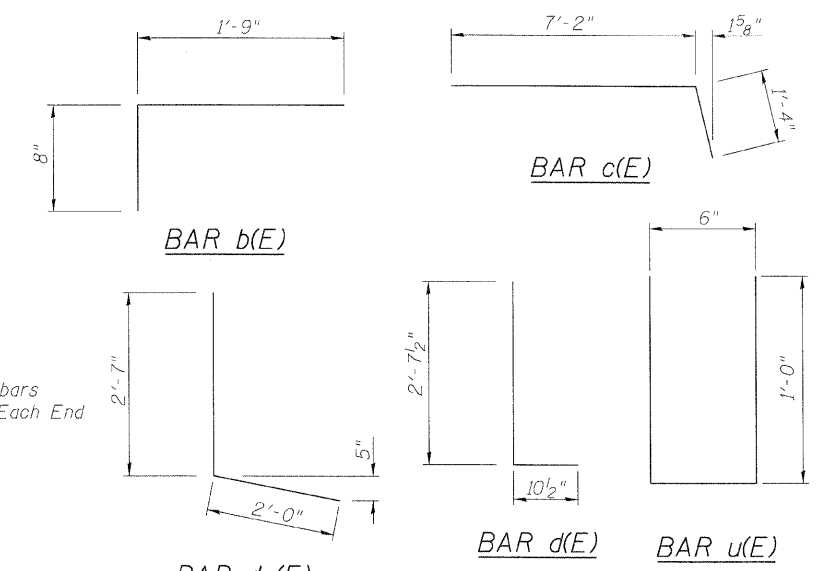


SECTION C-C



PLAN

(South Abut. shown, North Abut. similar)



BILL OF MATERIAL

Bar	No.	Size	Length	Shape
a(E)	32	#5	37'-4"	—
a1(E)	24	#5	30'-1"	—
b(E)	114	#5	2'-5"	┌
c(E)	20	#5	8'-6"	└
d(E)	12	#5	3'-6"	┌
d1(E)	12	#5	4'-7"	┌
u(E)	8	#4	2'-6"	┌
Reinforcement Bars, Epoxy Coated			Pound	2580
Concrete Superstructure			Cu. Yd.	24.5

EXPANSION JOINT CONCRETE DETAILS
AT ABUTMENTS
STRUCTURE NO. 016-0315

	SHEET NO. 7	F.A.P. RTE. 348	SECTION (0708.1&2323.5)B	COUNTY COOK	TOTAL SHEETS 47	SHEET NO. 18
	17 SHEETS	CONTRACT NO. 60D69			ILLINOIS FED. AID PROJECT	

* Rotate d(E) and d1(E) bars as necessary to maintain clearance

Designed By: ESH
Checked By: WTH
Date: March 2010

Drawn By: ESH
File: 016-0315.dgn