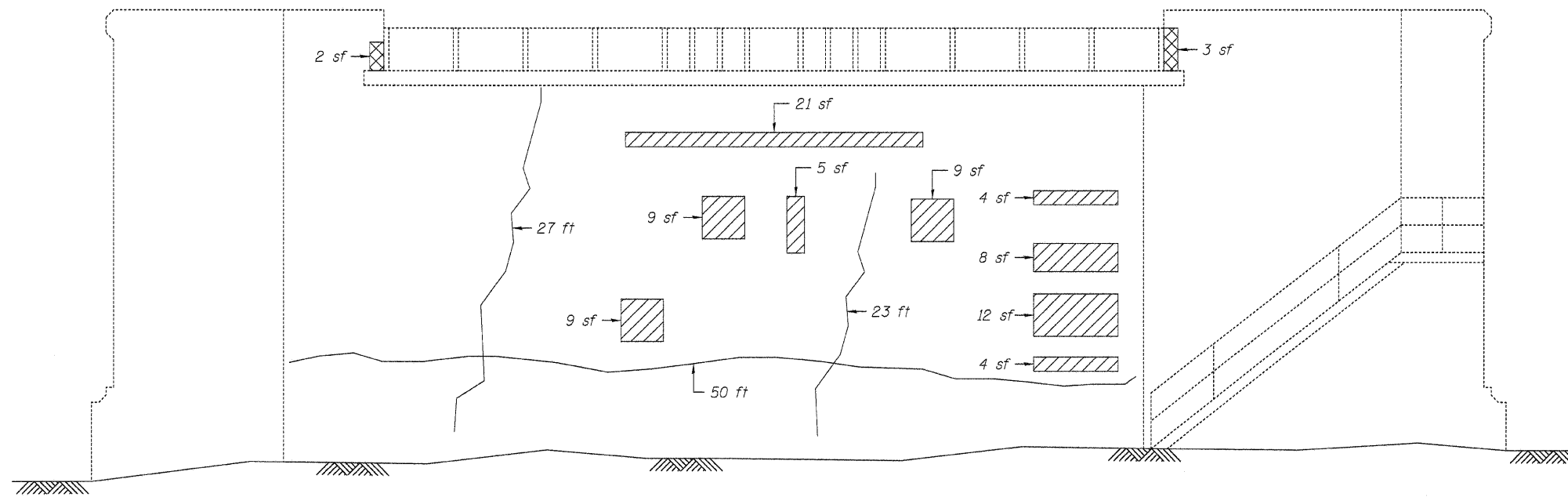
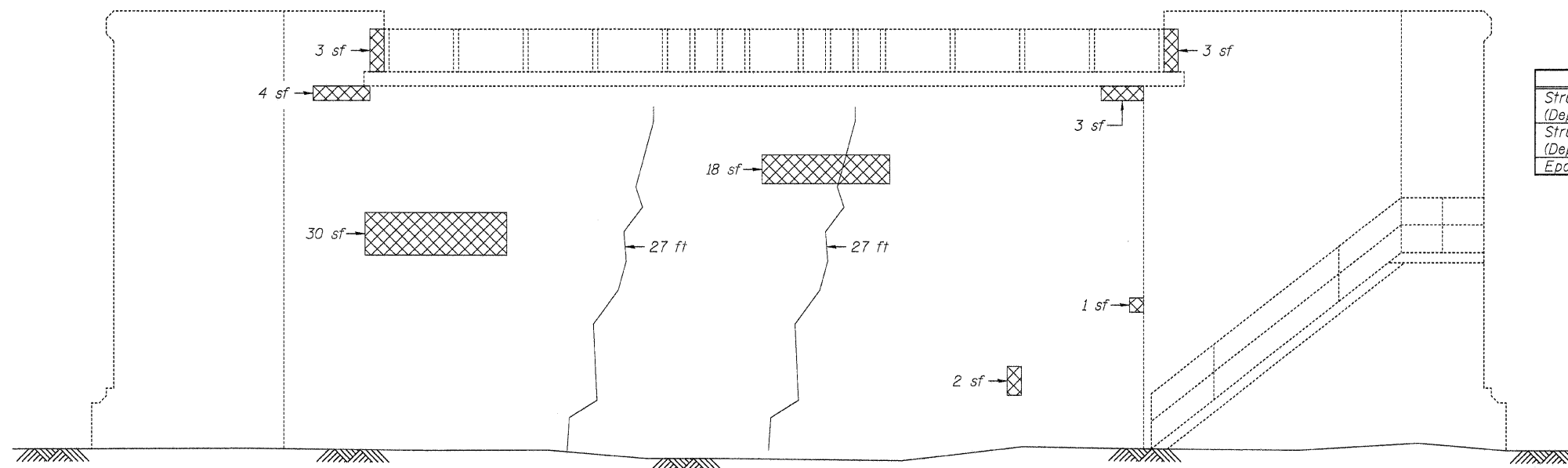


STATE OF ILLINOIS
DEPARTMENT OF TRANSPORTATION



ELEVATION OF SOUTH TENDER HOUSE
(Looking North)



ELEVATION OF NORTH TENDER HOUSE
(Looking South)

BILL OF MATERIAL

Item	Unit	Total
Structural Repair of Concrete (Depth Equal to or Less Than 5 in.)	Sq. Ft.	81
Structural Repair of Concrete (Depth Greater Than 5 in.)	Sq. Ft.	69
Epoxy Crack Injection	Foot	154

LEGEND

Structural Repair of Concrete
(Depth Equal to or Less Than 5 in.)

Structural Repair of Concrete
(Depth Greater Than 5 in.)

Epoxy Crack Injection

sf Square Feet

Note:

Repair of the existing tender house shall include but may not be limited to the areas shown. The actual areas to be repaired will be determined by the Engineer at the time of construction.

SUBSTRUCTURE REPAIR DETAILS-1
STRUCTURE NO. 016-0315

LIN ENGINEERING, LTD. Consulting Engineers Chatham, Illinois <small>Designed By: RH Date: March 2007</small>	SHEET NO. 13	F.A.P. RTE.	SECTION	COUNTY	TOTAL SHEETS	SHEET NO.
	17 SHEETS	348	(0708.1&2323.5)B	COOK	47	24
					CONTRACT NO. 60D69	
ILLINOIS FED. AID PROJECT						