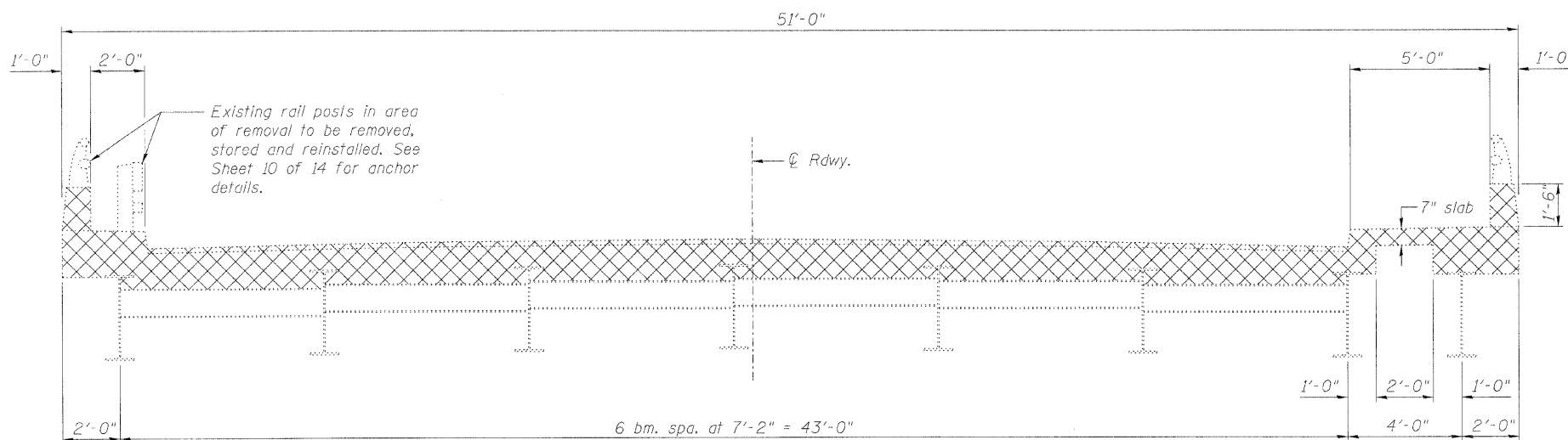
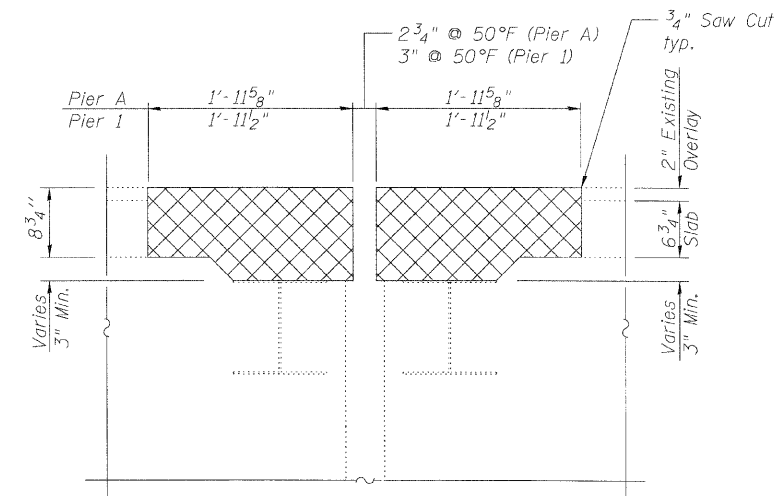


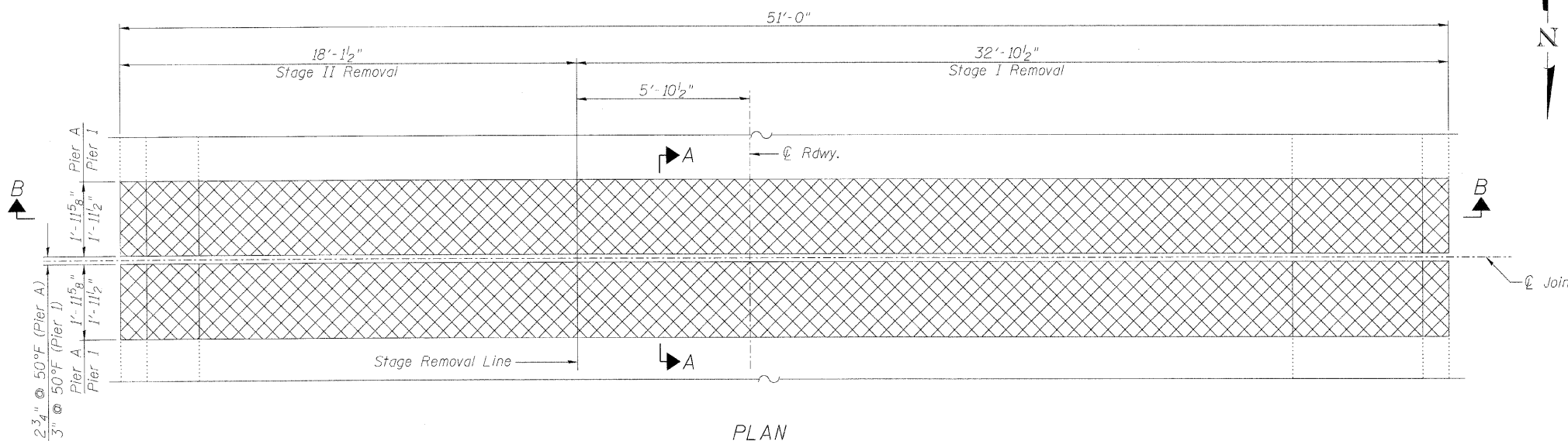
STATE OF ILLINOIS
DEPARTMENT OF TRANSPORTATION



SECTION B-B



SECTION A-A



PLAN
(Pier A shown, Pier I similar)

Notes:

1. Cross hatched area indicates concrete removal.
2. Existing reinforcement bars in the concrete removal area extending in new construction shall be cleaned, straightened, and incorporated into the new construction. Any reinforcement bars that are damaged during concrete removal operations shall be repaired or replaced using an approved bar splicer or anchorage system. Cost included in Concrete Removal.
3. Overlay removal is included in pay item Concrete Removal.

BILL OF MATERIAL

Item	Unit	Total
Concrete Removal	Cu. Yd.	16.6

EXPANSION JOINT CONCRETE REMOVAL
AT PIERS
STRUCTURE NO. 016-0991

	SHEET NO. 5	F.A.P. RTE. 348	SECTION (0708.1&2323.5)B	COUNTY COOK	TOTAL SHEETS 47	SHEET NO. 33
	14 SHEETS	CONTRACT NO. 60D69		ILLINOIS FED. AID PROJECT		

Designed By: ESH | Checked By: MTH | Drawn By: ESH
Date: March, 2010 | File: 016-0991.dgn