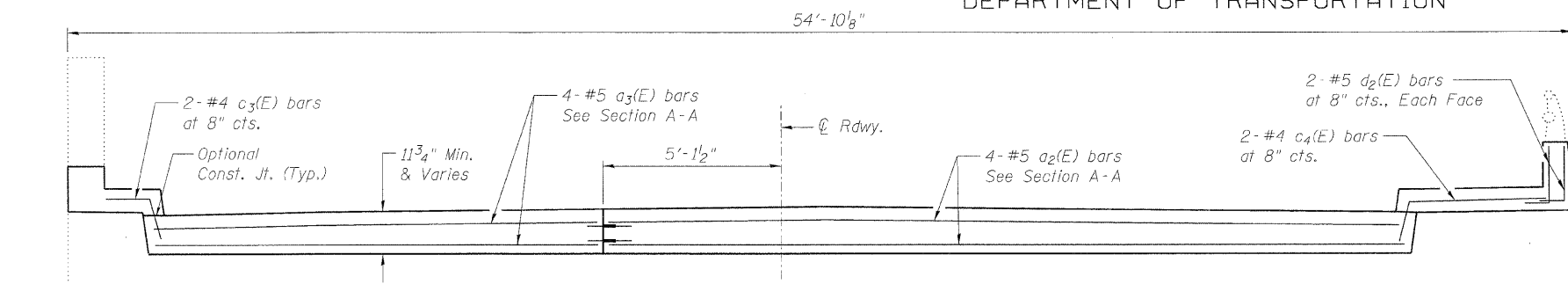
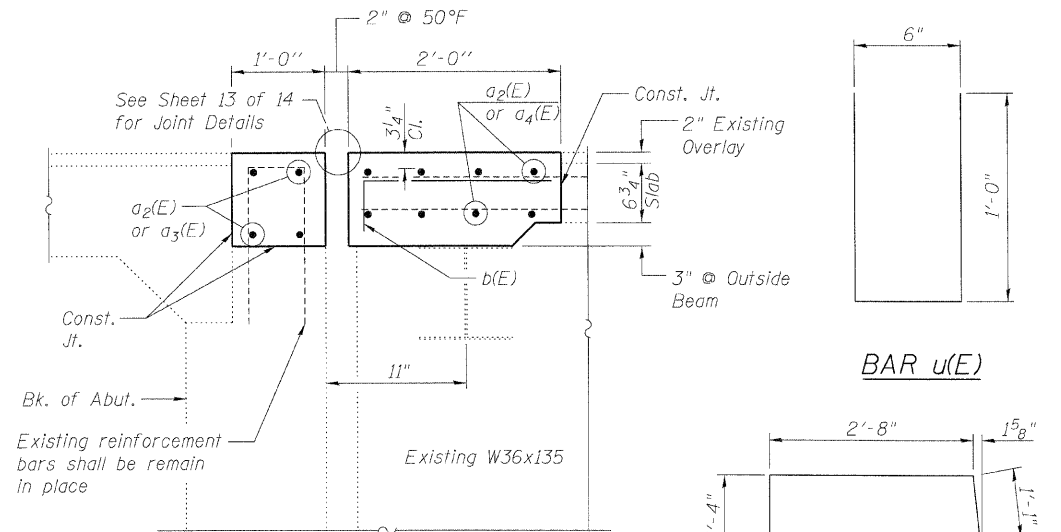


STATE OF ILLINOIS
DEPARTMENT OF TRANSPORTATION

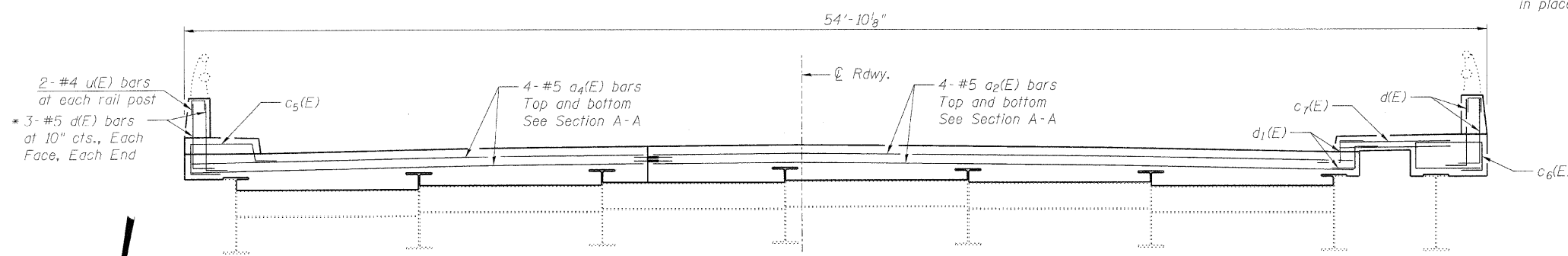


SECTION B-B

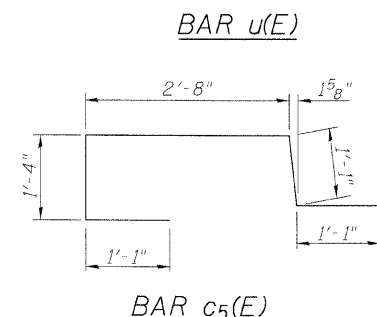


SECTION A-A

(Dimensions @ Rt. L's)

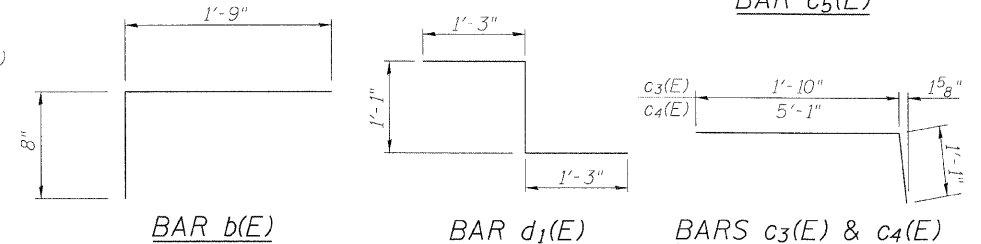


SECTION C-C



BAR u(E)

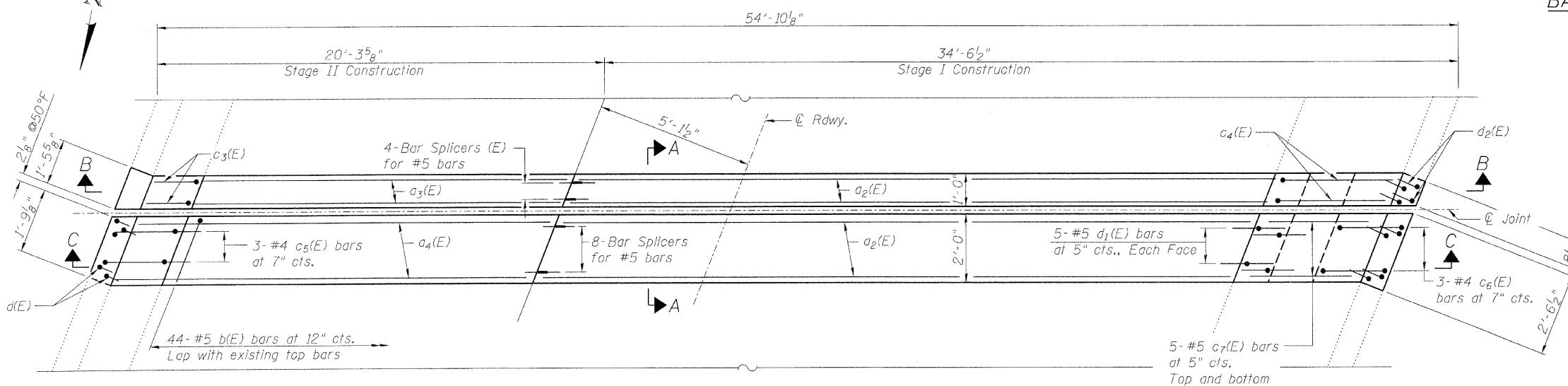
BAR c5(E)



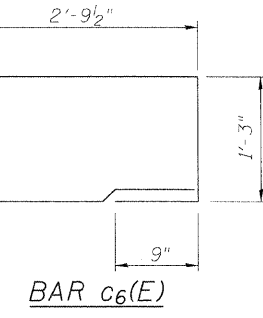
BAR b(E)

BAR d1(E)

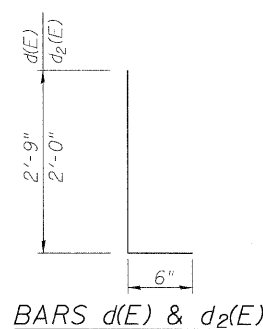
BARS c3(E) & c4(E)



PLAN



BAR c6(E)



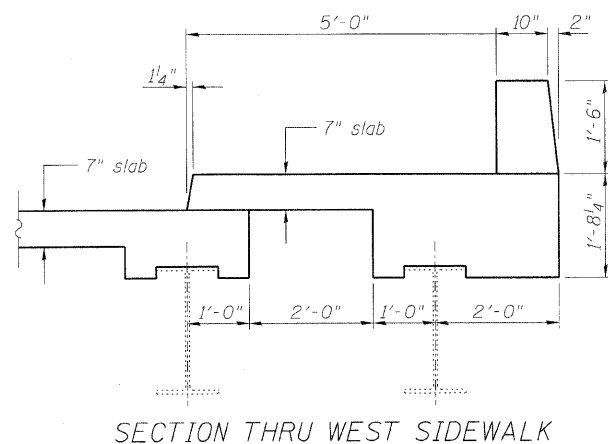
BARS d(E) & d2(E)

BILL OF MATERIAL

Bar	No.	Size	Length	Shape
a2(E)	12	#5	28'-8"	—
a3(E)	4	#5	17'-10"	—
a4(E)	8	#5	19'-0"	—
b(E)	44	#5	2'-5"	┌
c3(E)	2	#5	2'-11"	┌
c4(E)	2	#5	6'-2"	┌
c5(E)	3	#4	7'-3"	┌
c6(E)	3	#4	8'-10"	┌
c7(E)	10	#5	5'-1"	—
d(E)	12	#5	3'-3"	┌
d1(E)	10	#5	3'-7"	┌
d2(E)	4	#5	2'-6"	┌
u(E)	4	#4	2'-6"	┌
Reinforcement Bars, Epoxy Coated			Pound	910
Concrete Superstructure			Cu. Yds.	6.8

Note: See sheet 7 of 14 for Section Thru West Sidewalk details

* Rotate as necessary to maintain clearance



SECTION THRU WEST SIDEWALK

EXPANSION JOINT CONCRETE DETAILS
AT SOUTH ABUTMENT
STRUCTURE NO. 016-0991

	SHEET NO. 8	F.A.P. RTE. 348	SECTION (0708.1&2323.5)B	COUNTY COOK	TOTAL SHEETS 47	SHEET NO. 36
	14 SHEETS	CONTRACT NO. 60D69		ILLINOIS FED. AID PROJECT		

Designed By: ESH
Checked By: WTH
Date: March, 2010

Drawn By: ESH
File: 016-0991.dgn