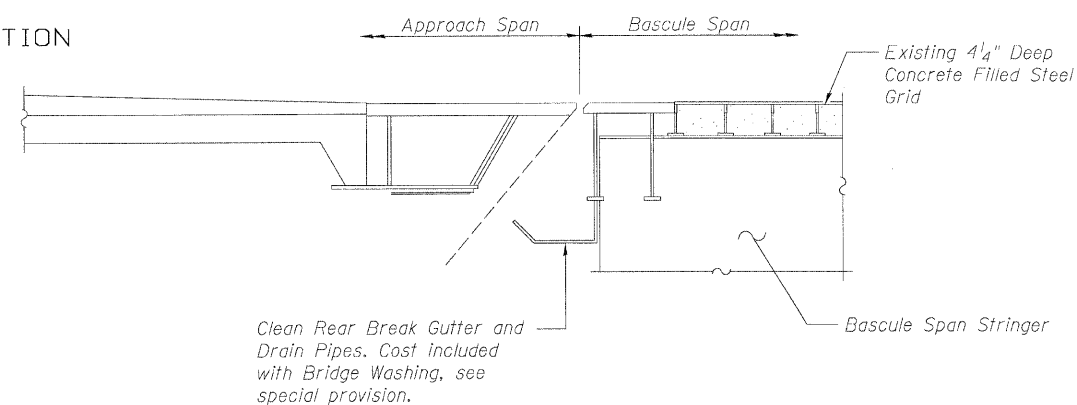
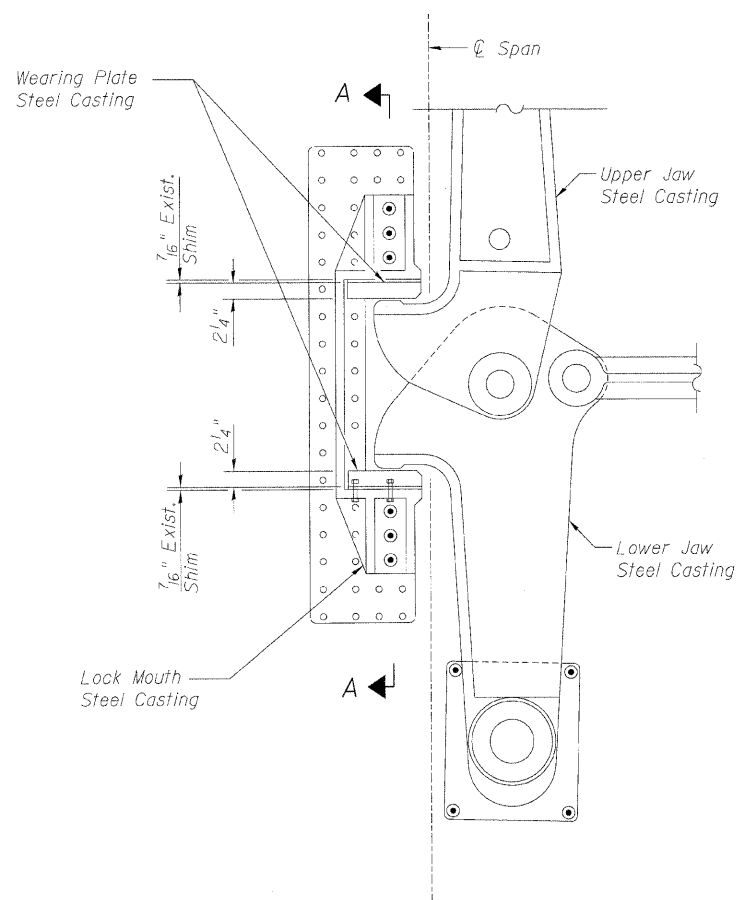


STATE OF ILLINOIS
DEPARTMENT OF TRANSPORTATION



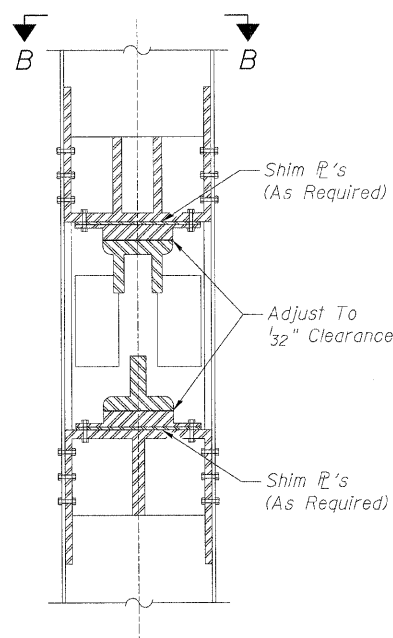
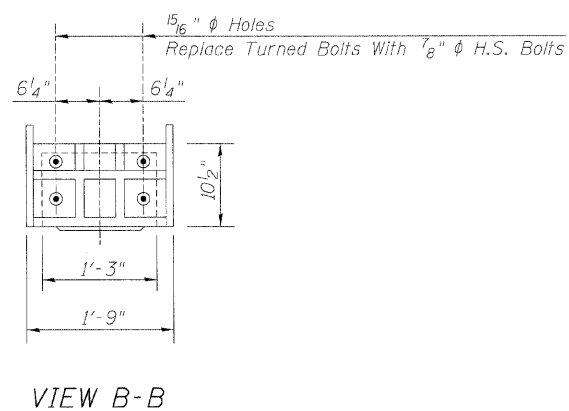
GUTTER AT REAR BREAK

Notes:
All Posts shall be normal to parapet.
In lieu of the cast-in-place anchor device shown, the Contractor has the option of drilling and setting stainless steel anchor rods of the same diameter and grade as the specified cap screws according to Article 509.06 of the Standard Specifications. Embedment shall be according to the manufacturer's specifications.
Removal and re-erection of the existing aluminum handrail, rail post, and all new applicable hardware, including labor and installation shall be included in the cost of Concrete Removal.

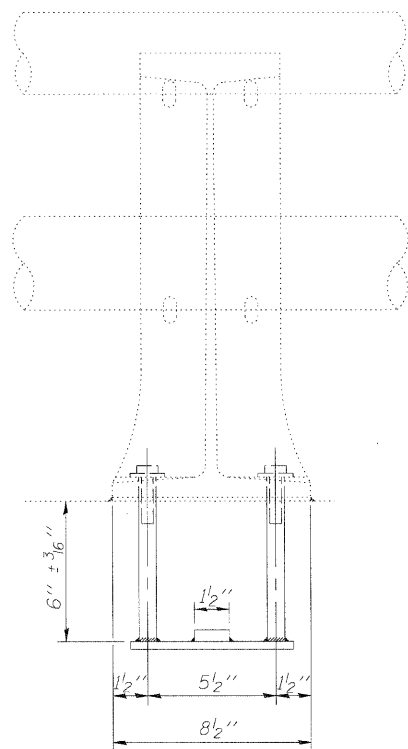


SHIM PLATE REPLACEMENT
AT CENTER LOCK

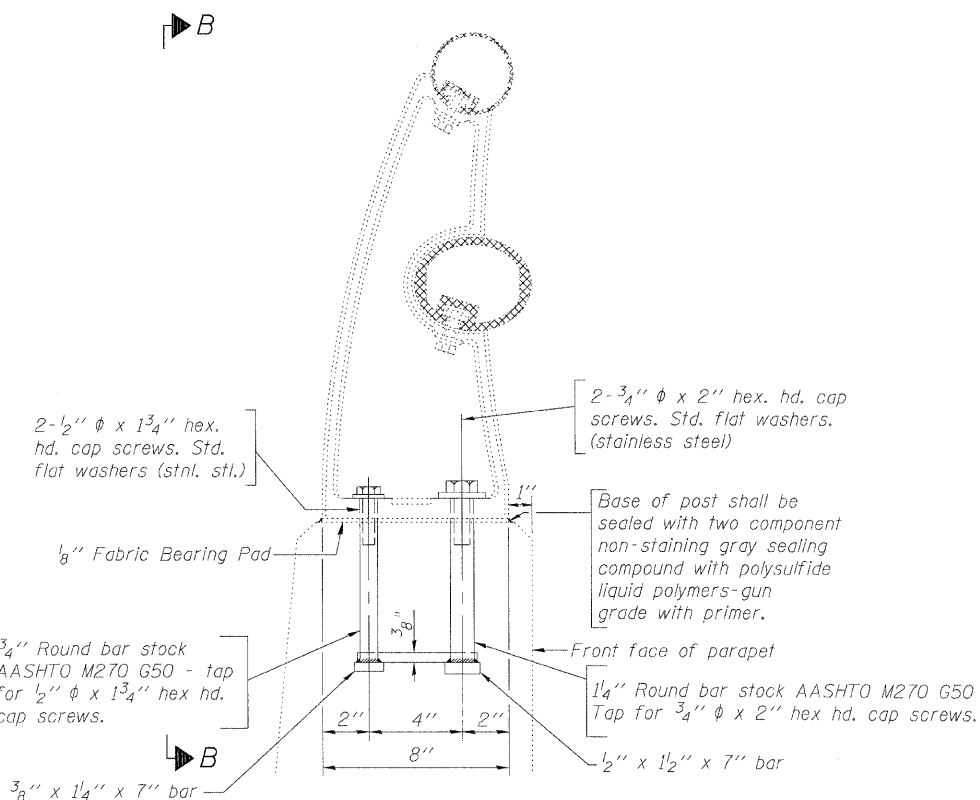
Note:
Replace existing 7/16\"/>



SECTION A-A



VIEW B-B



RAIL POST DETAILS

SECTION A-A

MISCELLANEOUS REPAIR DETAILS-1
STRUCTURE NO. 016-0991

<p>LIN ENGINEERING, LTD. Consulting Engineers Chatham, Illinois</p>	SHEET NO. 10 14 SHEETS	F.A.P. RTE.	SECTION	COUNTY	TOTAL SHEETS	SHEET NO.
		348	(0708.1&2323.5)B	COOK	47	38
					CONTRACT NO. 60D69	
ILLINOIS FED. AID PROJECT						