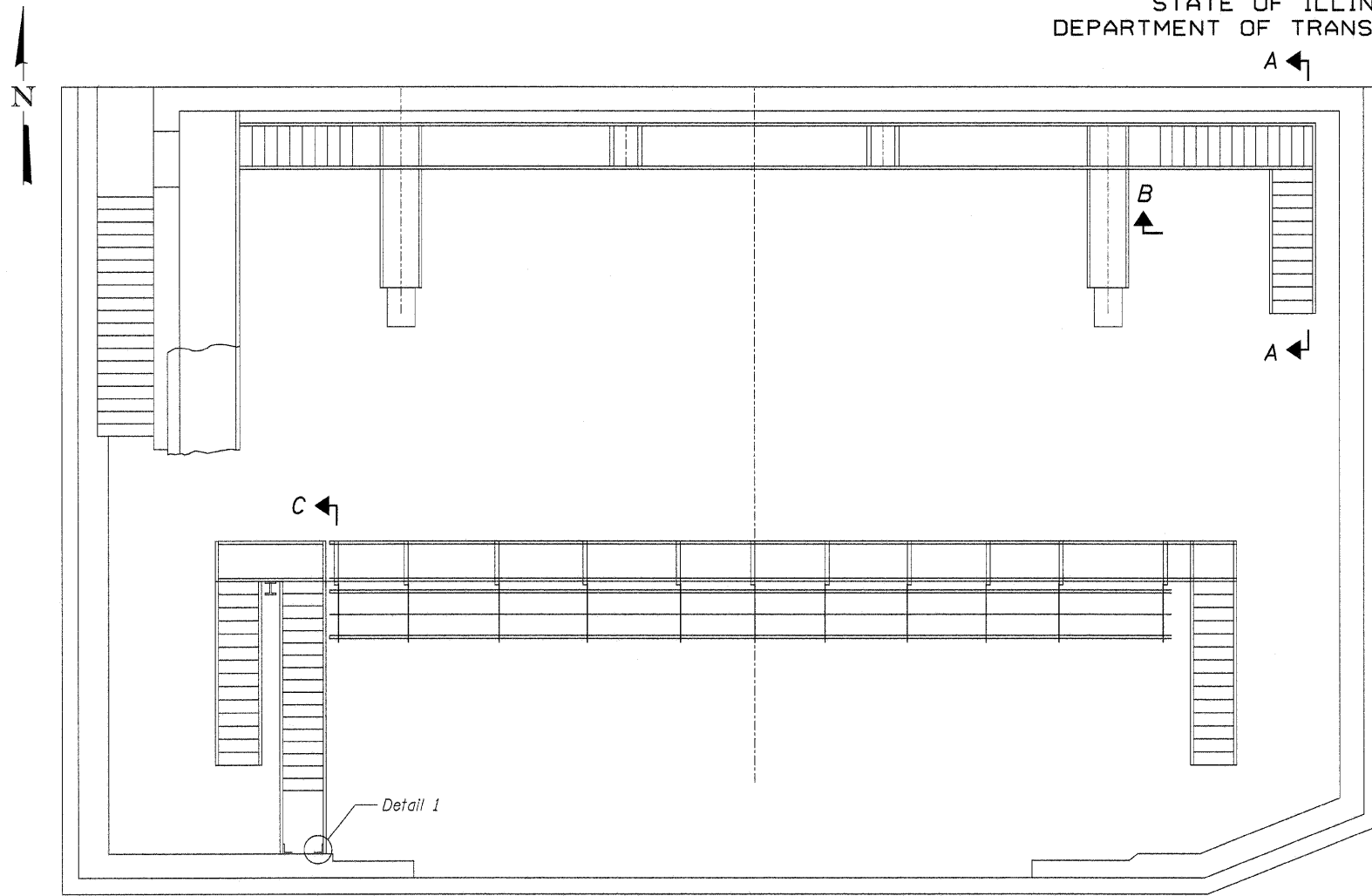
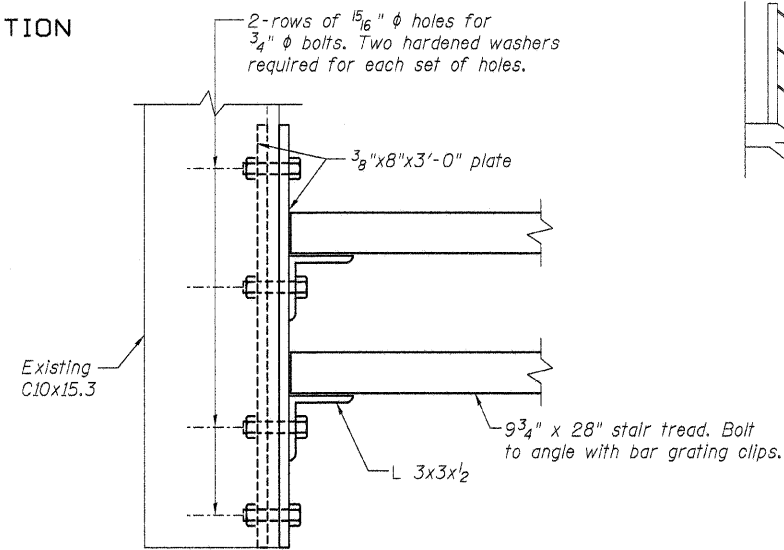


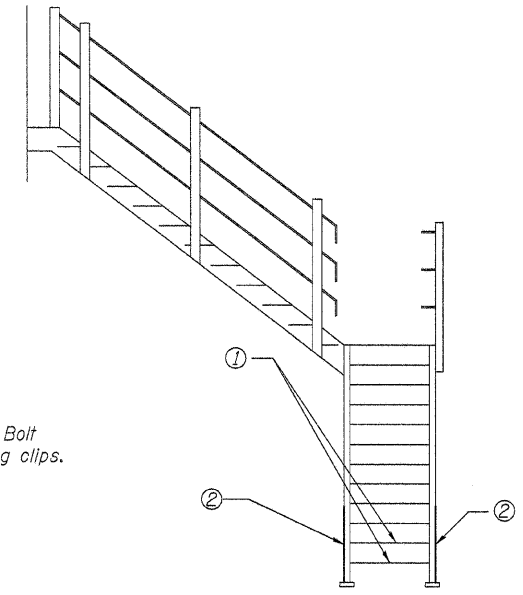
STATE OF ILLINOIS
DEPARTMENT OF TRANSPORTATION



NORTH TENDER HOUSE PLAN

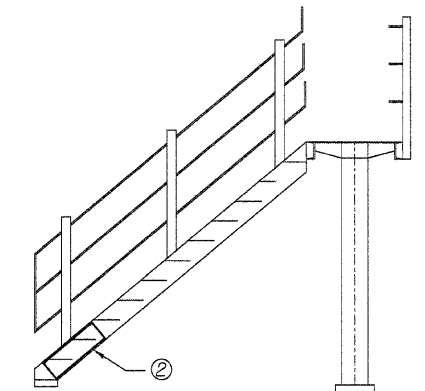


STAIR DETAIL



SECTION A-A

Notes:
Contractor shall verify dimensions prior to ordering materials.
Anchor bolts shall be ASTM F1554 all-thread (or an Engineer-approved alternate material) of the grade(s) and diameter(s) specified. ASTM A307 Grade C anchor bolts may be used in lieu of ASTM F1554 Grade 36 (Fy=36ksi). The corresponding specified grade of AASHTO M314 anchor bolts may be used in lieu of ASTM F1554.
Drilled and set anchor bolts shall be installed according to Article 521.06 of the Standard Specifications.
Stair treads, steel members, and all hardware shall be included in the cost of Furnishing and Erecting Structural Steel.
All new steel elements shall be galvanized according to AASHTO M111 or M232 as applicable.

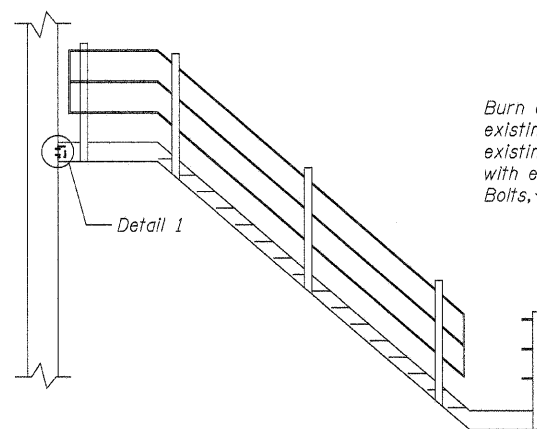


SECTION B-B

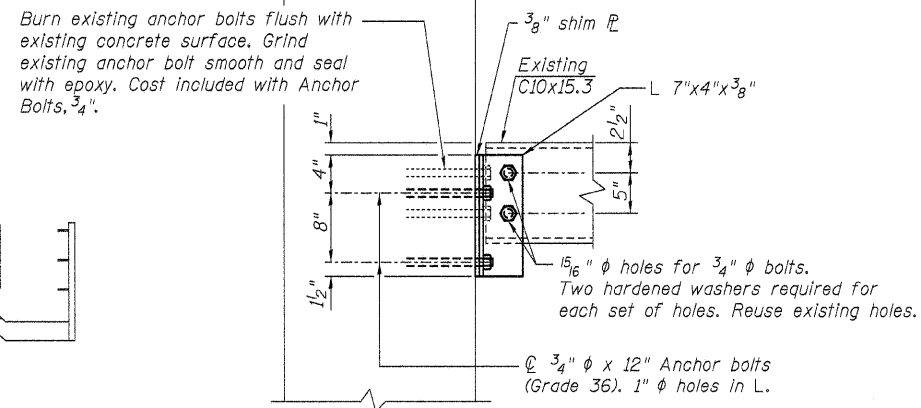
- ① Remove and replace bottom two stair treads with steel welded 19W4 bar grating galvanized tread. Cost included with Furnishing and Erecting Structural Steel. Bearing bars shall be 1" x 3/16". See Stair Detail.
- ② Add 3/8" x 8" x 3'-0" PL to each side of existing channel. Grind any existing welds smooth prior to plate installation. See Stair Detail.

BILL OF MATERIAL

Item	Unit	Total
Furnishing and Erecting Structural Steel	Pound	230
Anchor Bolts, 3/4"	Each	2



SECTION C-C



DETAIL 1

**MISCELLANEOUS REPAIR DETAILS-2
STRUCTURE NO. 016-0991**

<p>LIN ENGINEERING, LTD. Consulting Engineers Okeham, Illinois</p>	SHEET NO. 11	F.A.P. RTE.	SECTION	COUNTY	TOTAL SHEETS	SHEET NO.
	14 SHEETS	348	(0708.1&2323.5)B	COOK	47	39
					CONTRACT NO. 60D69	
ILLINOIS FED. AID PROJECT						

Designed By: TBP
Checked By: MTH
Date: March, 2000

Drawn By: TBP
File: 016-0991.dgn