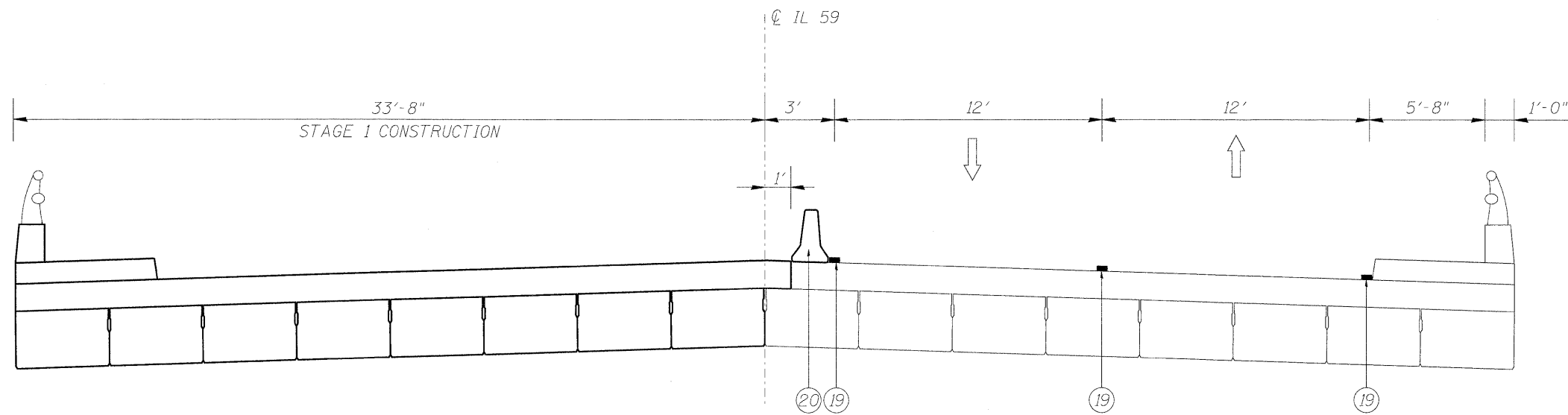


STAGE 1



STAGE 2

- (18) TEMPORARY CONCRETE BARRIER
- (19) WET REFLECTIVE TEMPORARY TAPE, TYPE III, 4"
- (20) RELOCATE TEMPORARY CONCRETE BARRIER