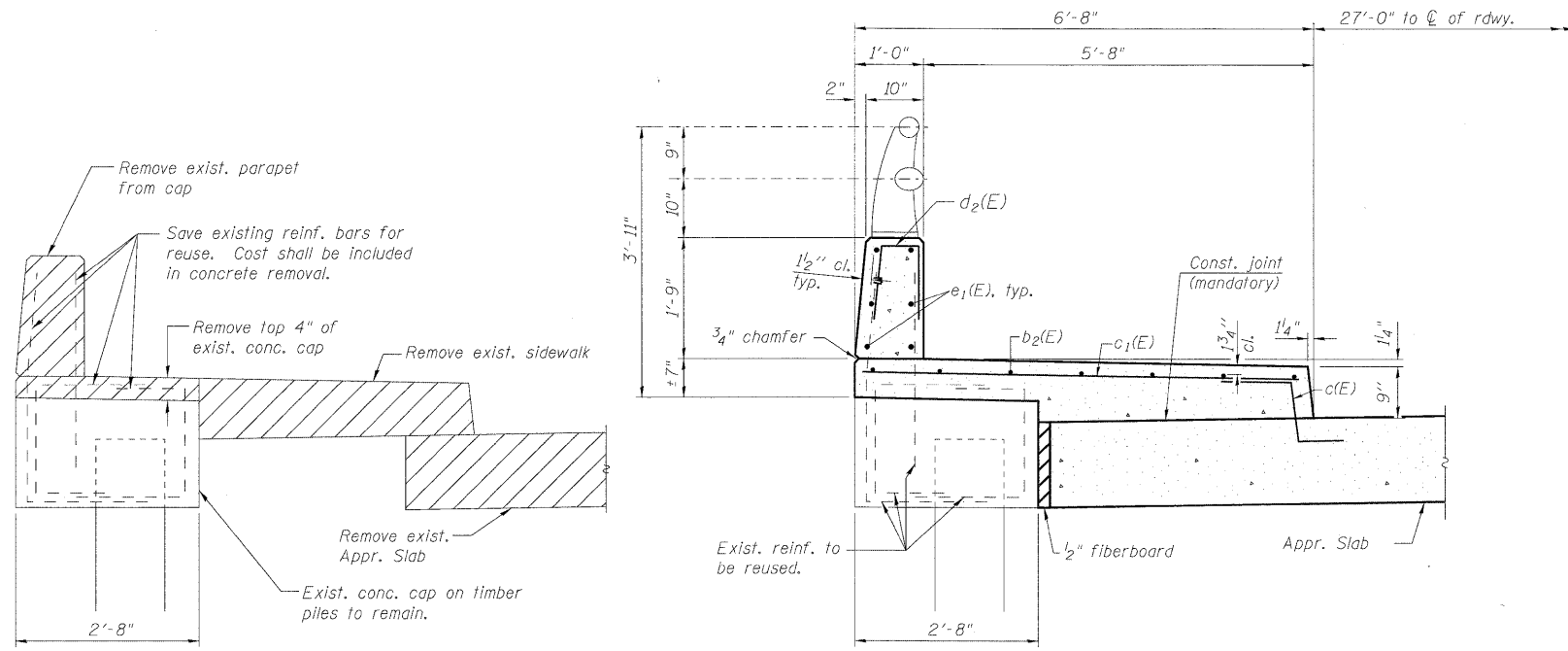


STATE OF ILLINOIS  
DEPARTMENT OF TRANSPORTATION

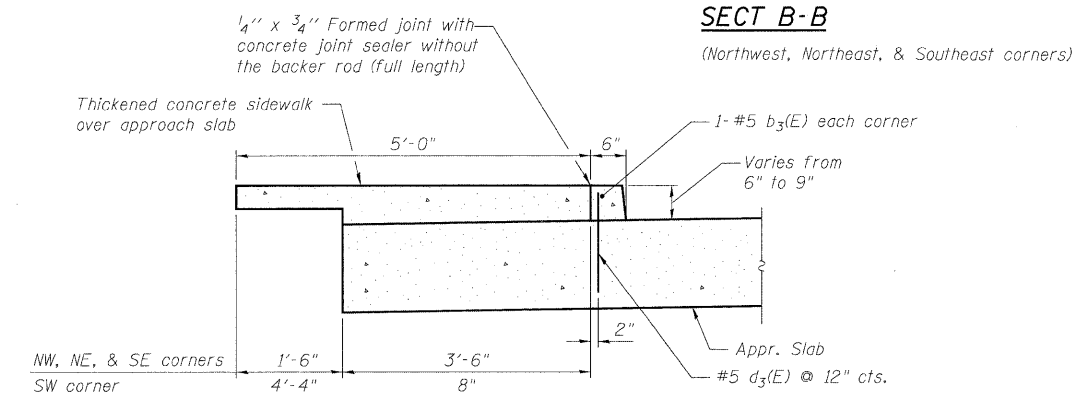
**NOTES**

- Exist. reinforcement shall be cleaned, straightened (if required) and incorporated into the new construction. Cost included with Concrete Removal.
- Existing reinforcement bars which have lost 25% or more of their original diameter shall be supplemented by new epoxy coated bars of the same diameter. New bars shall be drilled and epoxy grouted in place adjacent to the original bars, as directed by the Engineer.
- Drilling and epoxy grouting of reinforcement bars shall be in accordance with Article 584 of the Standard Specifications.
- See sht. S8 of S17 for Section thru Sidewalk (Sect A-A), Parapet Joint Details, and Inside Parapet Elevation.
- See sht. S7 of S17 for Bill of Material.
- Fiberboard shall be included in Approach Slab, which shall be paid for as Concrete Superstructure.
- See sht. S10 of S17 for Railing Details.
- See sht. S11 & S12 of S17 for Approach Slab Plan & Details.



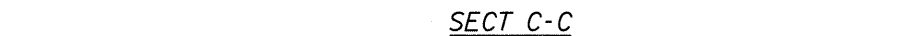
**EXISTING**

**PROPOSED**

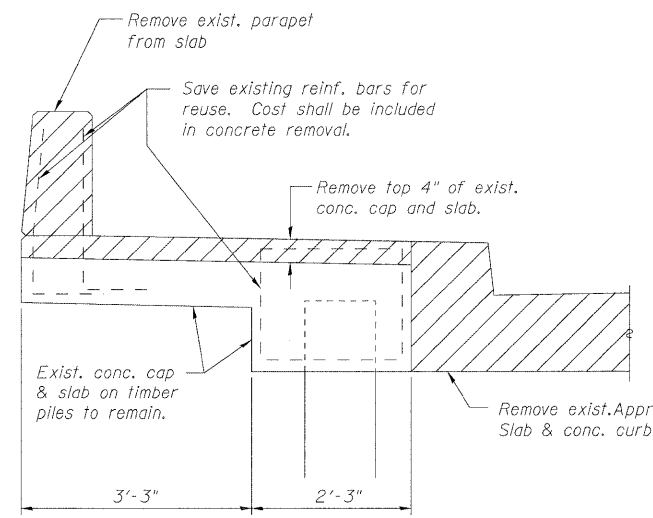


**SECT B-B**

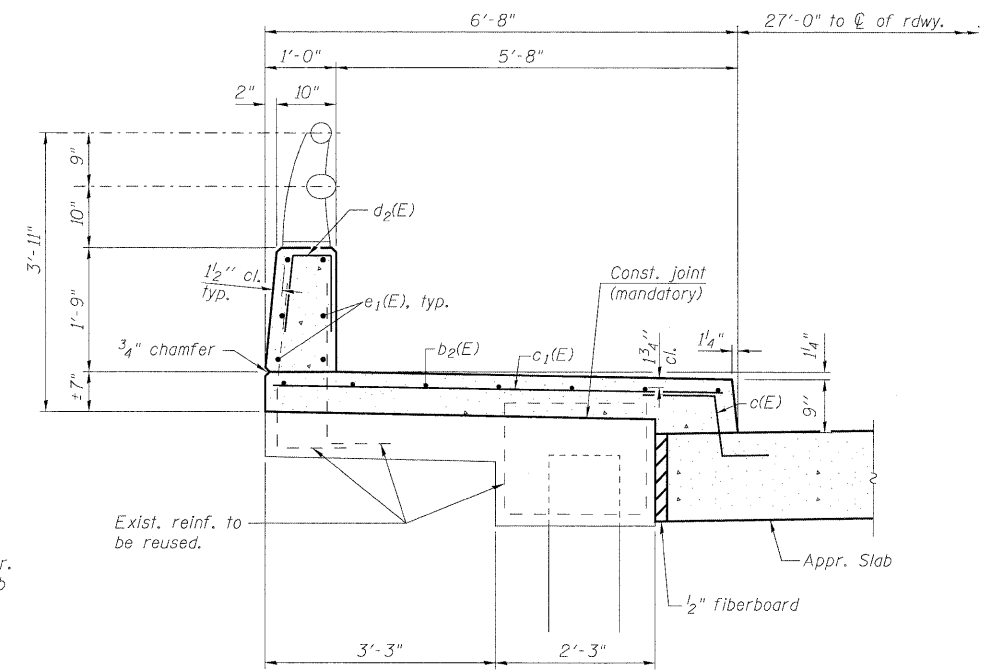
(Northwest, Northeast, & Southeast corners)



**SECT C-C**



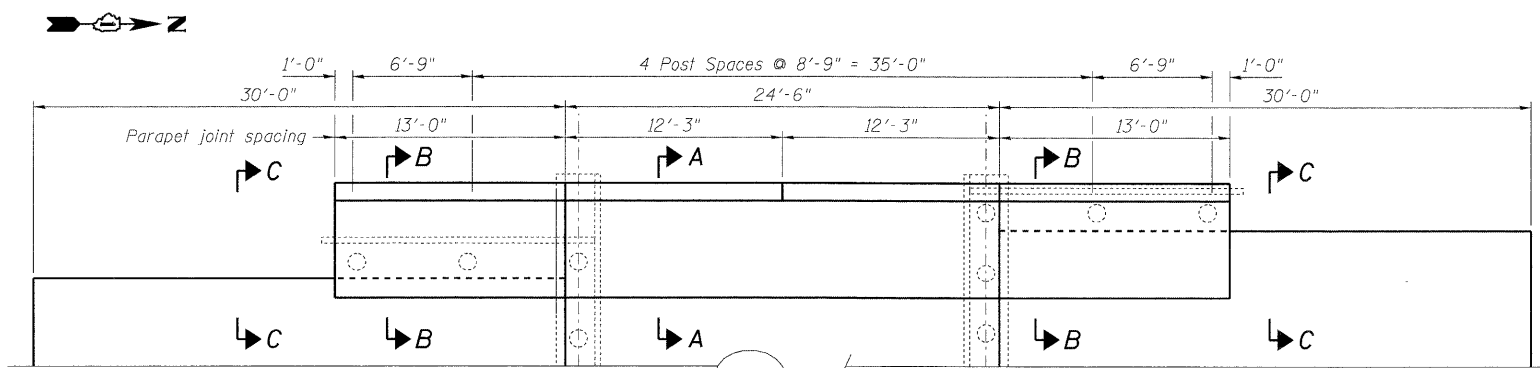
**EXISTING**



**PROPOSED**

**SECT B-B**

(Southwest corner)



**SIDEWALK & PARAPET PLAN**

(West side shown, East side similar)

DESIGNED -	SLV
CHECKED -	DJB
DRAWN -	SLV
CHECKED -	DJB

**LONCO, INC.**  
CONSULTING ENGINEERS  
1560 WALL ST, SUITE 222  
NAPERVILLE, ILLINOIS 60563 PH: (630) 577-9100

**SIDEWALK DETAILS  
STRUCTURE NO. 049-0152**

SHEET NO. S9 OF S17 SHEETS	F.A.P. RTE.	SECTION	COUNTY	TOTAL SHEETS	SHEET NO.
	338	108 B-1	LAKE	40	21
D-91-289-09			CONTRACT NO. 60F92		
FED. ROAD DIST. NO. - ILLINOIS FED. AID PROJECT					