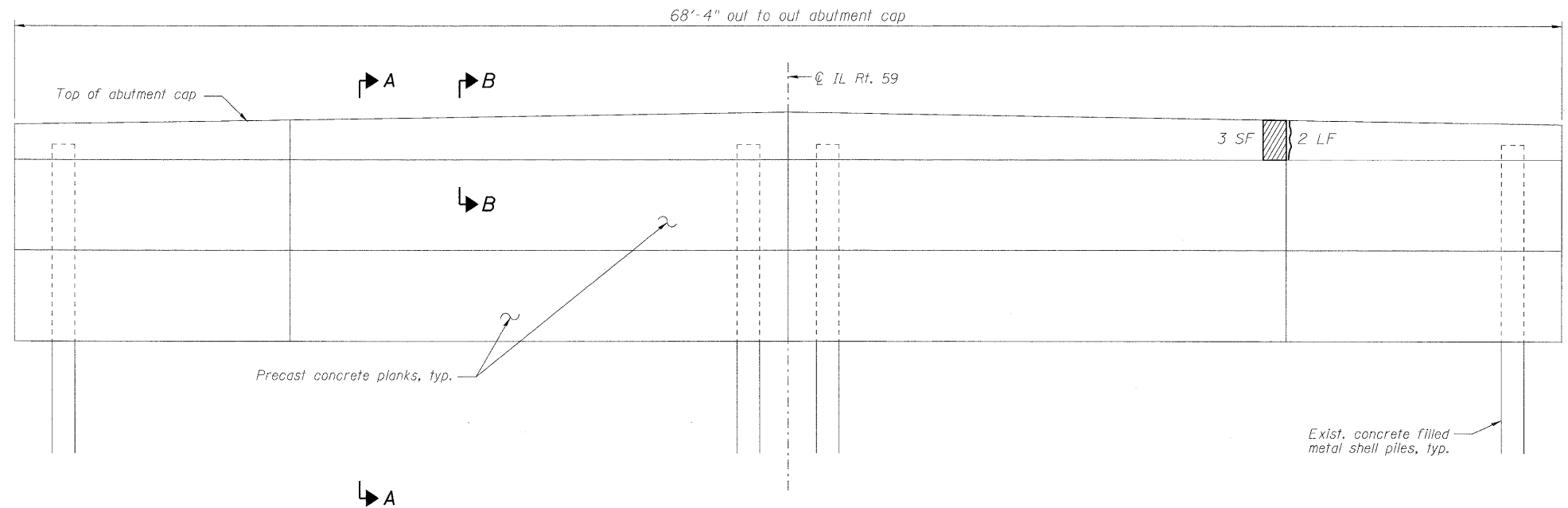
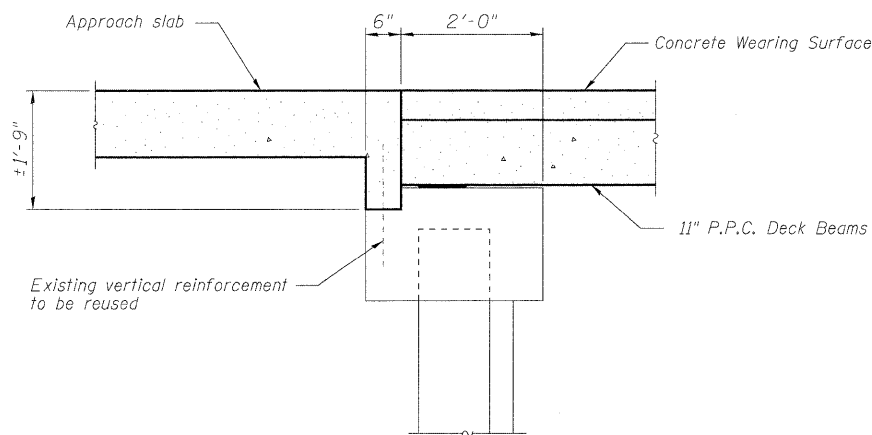


STATE OF ILLINOIS
DEPARTMENT OF TRANSPORTATION

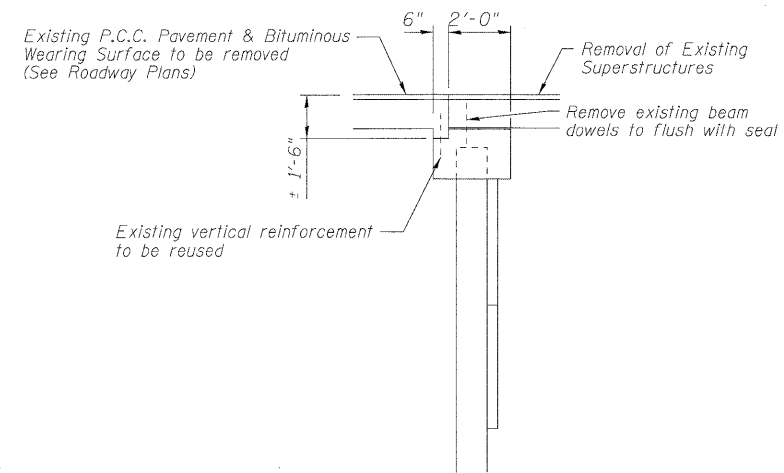


ELEVATION - REMOVAL AND REPAIR
(Looking North)

— Epoxy Crack Injection
 Formed Concrete Repair Depth < 5"



SECTION B-B



SECTION A-A

BILL OF MATERIAL

Epoxy Crack Injection	Foot	2
Structural Repair of Concrete (Depth less than equal to 5')	Sq. Ft.	3

NOTES

Drilling and epoxy grouting of reinforcement bars shall be in accordance with Article 584 of the Standard Specifications and shall be paid for as Reinforcement Bars, Epoxy Coated

DESIGNED	-	SLV
CHECKED	-	DJB
DRAWN	-	SLV
CHECKED	-	DJB

LONCO, INC.
CONSULTING ENGINEERS
1560 WALL ST, SUITE 222
NAPERVILLE, ILLINOIS 60563 PH: (630) 577-9100

NORTH ABUTMENT DETAILS
STRUCTURE NO. 049-0152

SHEET NO. S15 OF S17 SHEETS	F.A.P. RTE.	SECTION	COUNTY	TOTAL SHEETS	SHEET NO.
	338	108 B-1	LAKE	40	27
D-91-289-09			CONTRACT NO. 60F92		
FED. ROAD DIST. NO. _ ILLINOIS FED. AID PROJECT					