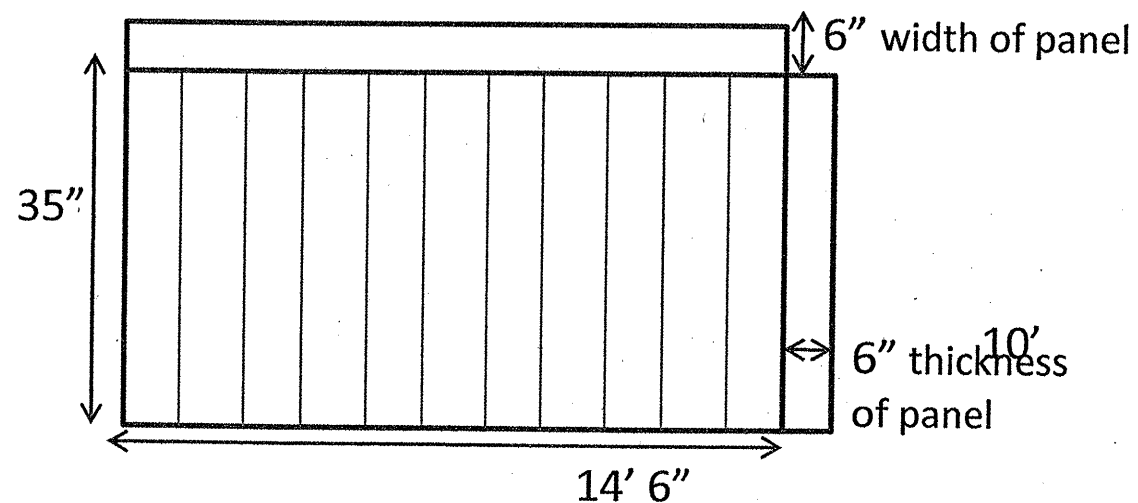


ROUTE	SECTION	COUNTY	TOTAL SHEETS	SHEET NUMBER
VARIOUS	2009-075 I	VARIOUS	21	14

Contract 60H88

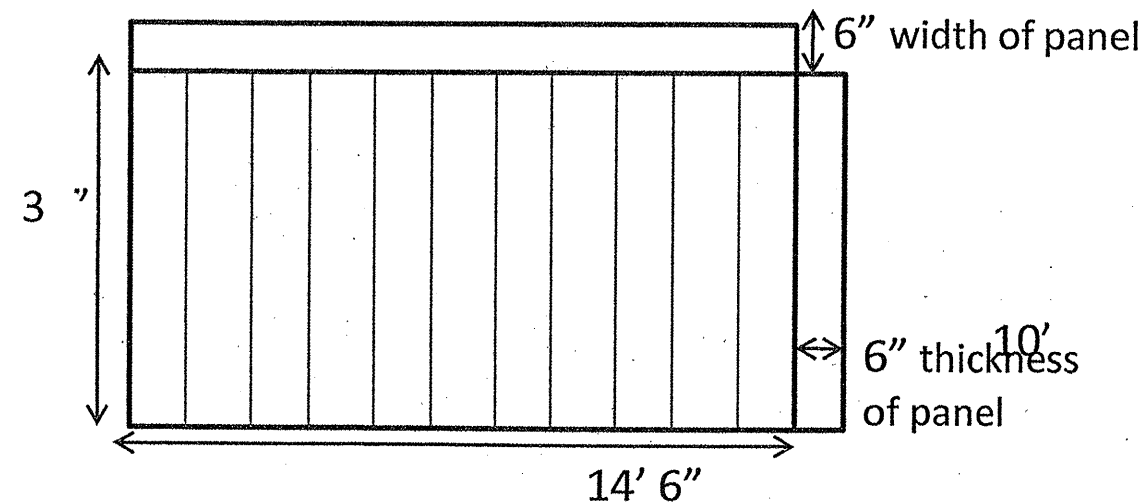


Wall is comprised of a series of panels, stacked on top. Wall height ranges from 12' to 17' in height. The beginning of the wall is stepped up to full 17' height in the middle.

**DETAIL LOCATION: 6
(DURISOL WALL)**

LOCATION 6

ITEM	UNIT	QUANTITY
Removal of Noise Abatement Wall Panels	SQ.FT.	90
Noise Abatement Wall, Ground Mounted (Absorptive)	SQ.FT.	90
FOR INFORMATION ONLY		



Vertical Displacement / Alignment Notice The Edge Of The Panels Exposure Relative To The Steel "H" Post. Looks Like a Post Spacing Problem During The Construction / Erection Of The Noisewall.

**DETAIL LOCATION: 7
(DURISOL WALL)**

LOCATION 7

ITEM	UNIT	QUANTITY
Removal of Noise Abatement Wall Panels	SQ.FT.	45
Noise Abatement Wall, Ground Mounted (Absorptive)	SQ.FT.	45
FOR INFORMATION ONLY		

FOR INFORMATION ONLY

SHEET 3 OF 3

ILLINOIS DEPARTMENT OF TRANSPORTATION

LOCATION: 6 AND 7
IL 59