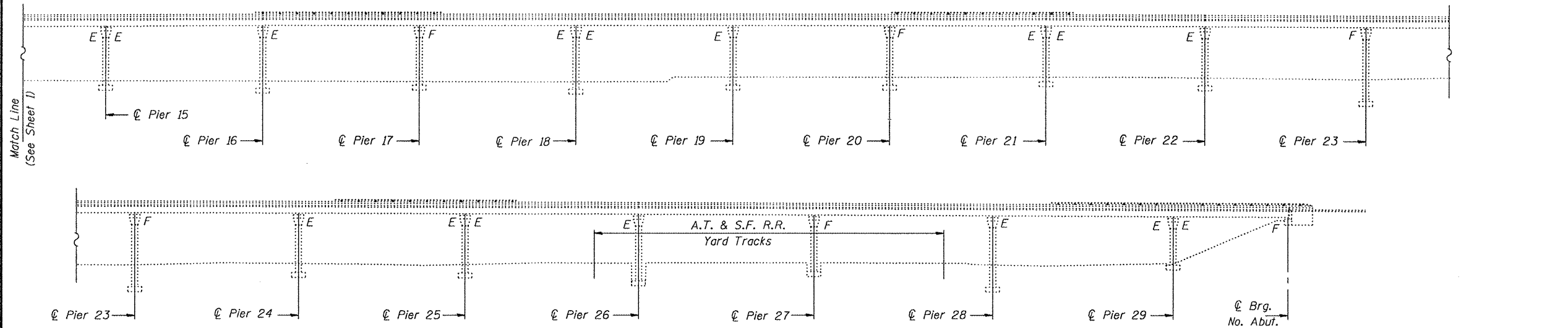
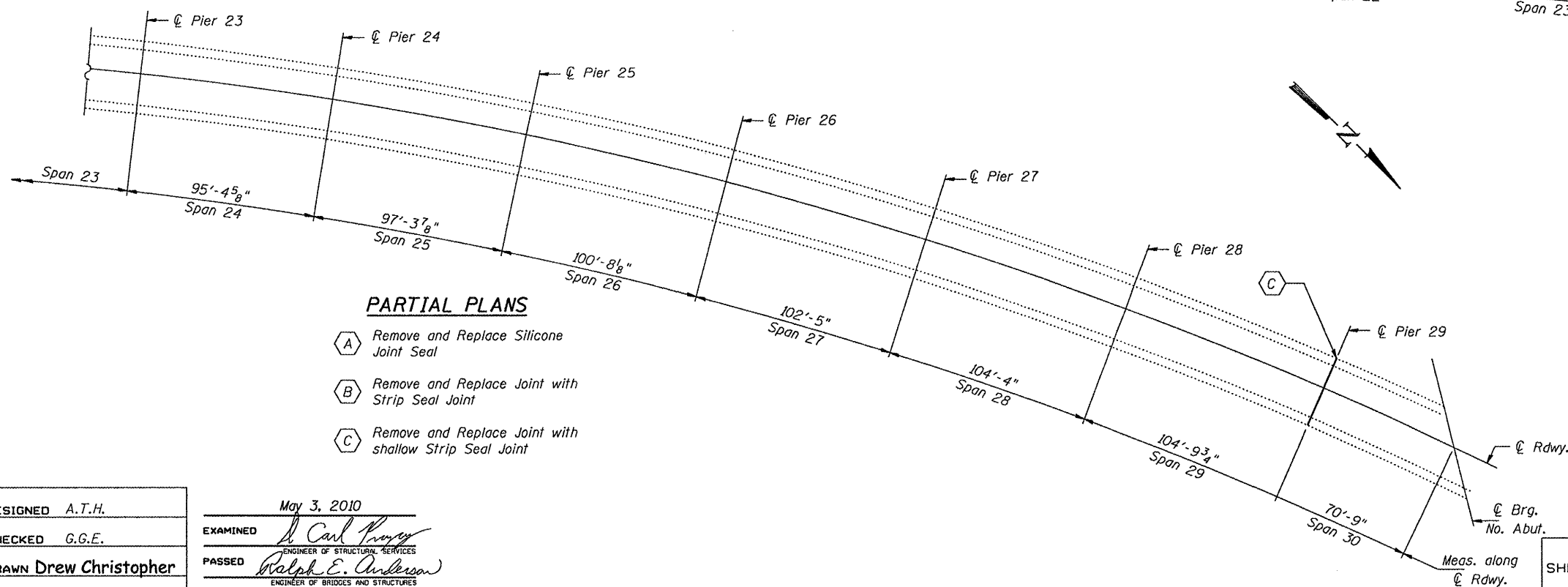
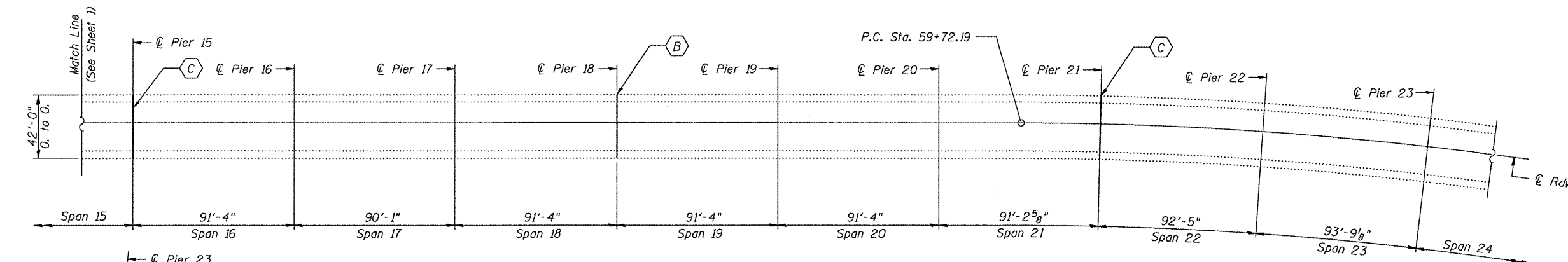


STATE OF ILLINOIS  
DEPARTMENT OF TRANSPORTATION



PARTIAL ELEVATION



PARTIAL PLANS

- (A) Remove and Replace Silicone Joint Seal
- (B) Remove and Replace Joint with Strip Seal Joint
- (C) Remove and Replace Joint with shallow Strip Seal Joint

DESIGNED	A.T.H.
CHECKED	G.G.E.
DRAWN	Drew Christopher
CHECKED	A.T.H. G.G.E.

May 3, 2010

EXAMINED *Carl...*  
ENGINEER OF STRUCTURAL SERVICES

PASSED *Ralph E. Anderson*  
ENGINEER OF BRIDGES AND STRUCTURES

DETAILS  
SN 016-2467

SHEET NO. 2 8 SHEETS	F.A.P. RTE. 330	SECTION 2009-1331	COUNTY Cook	TOTAL SHEETS 28	SHEET NO. 7
	CONTRACT NO. 60H89				
FED. ROAD DIST. NO.		ILLINOIS FED. AID PROJECT			