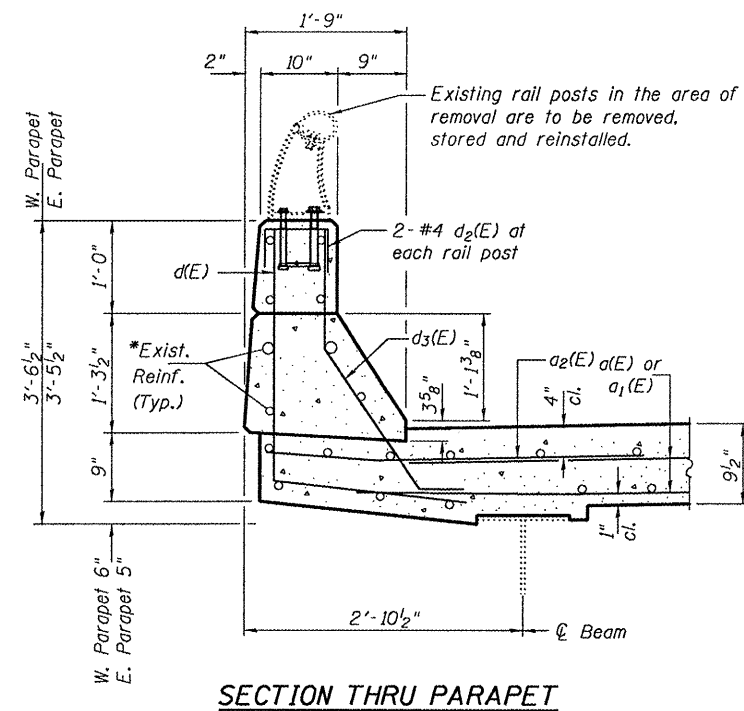
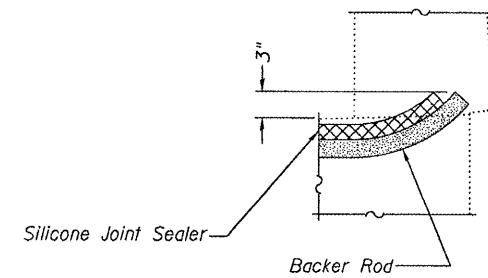


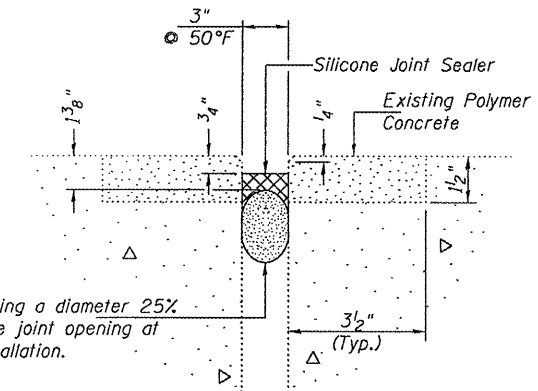
STATE OF ILLINOIS  
DEPARTMENT OF TRANSPORTATION



SECTION THRU PARAPET



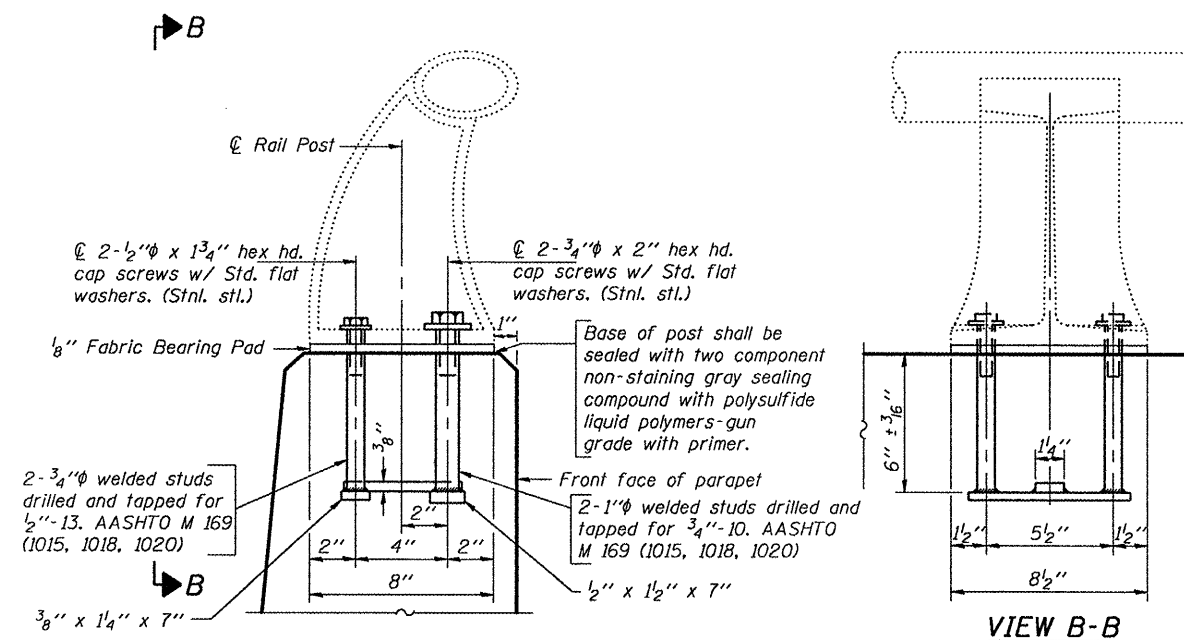
TYPICAL END TREATMENT  
AT SILICONE JOINT SEAL



DETAIL A

SOUTH ABUTMENT JOINT REPAIR

Cost of removal of existing sealer is included with the cost of Silicone Joint Sealer



RAIL POST ANCHOR DETAIL

In lieu of the cast-in-place anchor device shown, the Contractor has the option of drilling and setting stainless steel anchor rods of the same diameter and grade as the specified cap screws according to Article 509.06 of the Standard Specifications. Embedment shall be according to the manufacturer's specifications.

RAIL POST ANCHORAGE DETAIL

DESIGNED	A.T.H.
CHECKED	G.G.E.
DRAWN	Drew Christopher
CHECKED	A.T.H. G.G.E.

EXAMINED	May 3, 2010
PASSED	Carl Proyer ENGINEER OF STRUCTURAL SERVICES
	Ralph E. Anderson ENGINEER OF BRIDGES AND STRUCTURES

DETAILS  
SN 016-2467

SHEET NO. 3	F.A.P. RTE.	SECTION	COUNTY	TOTAL SHEETS	SHEET NO.
	330	2009-133I	Cook	28	8
8 SHEETS	FED. ROAD DIST. NO. ILLINOIS		CONTRACT NO. 60H89		
FED. AID PROJECT					