

WET REFLECTIVE TAPE,
TYPE III, 4"

GRAVEL ACCESS RD

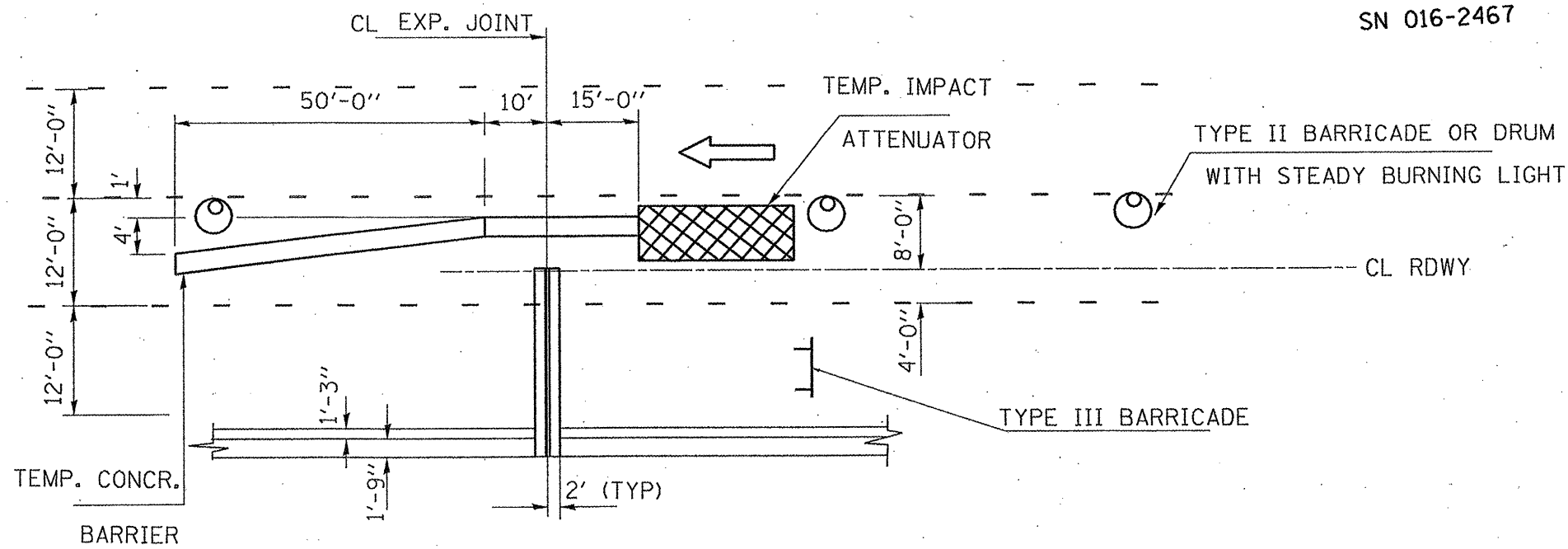
RR YARD

SANTA FE DR.

MATCHLINE STA. 51+00

SN 016-2467

SEE DETAIL "B"



DETAIL B

FILE NAME =	USER NAME = gorengautob	DESIGNED -	REVISED -
ca:\p\work\K\FWIDOT\GORENGAUTOB\d01759993	0125210-shr-plen.dgn	DRAWN -	REVISED -
	PLOT SCALE = 103.1218 * / IN.	CHECKED -	REVISED -
	PLOT DATE = 4/28/2010	DATE -	REVISED -

STATE OF ILLINOIS
DEPARTMENT OF TRANSPORTATION

US 12/20/45 (LAGRANGE) NB
TRAFFIC CONTROL PLAN
STAGE 2

SCALE: SHEET NO. 6 OF 6 SHEETS STA. TO STA.

F.A.P. RTE.	SECTION	COUNTY	TOTAL SHEETS	SHEET NO.
0330	2009-133 I	COOK	28	26
CONTRACT NO. 60489				
ILLINOIS FED. AID PROJECT				