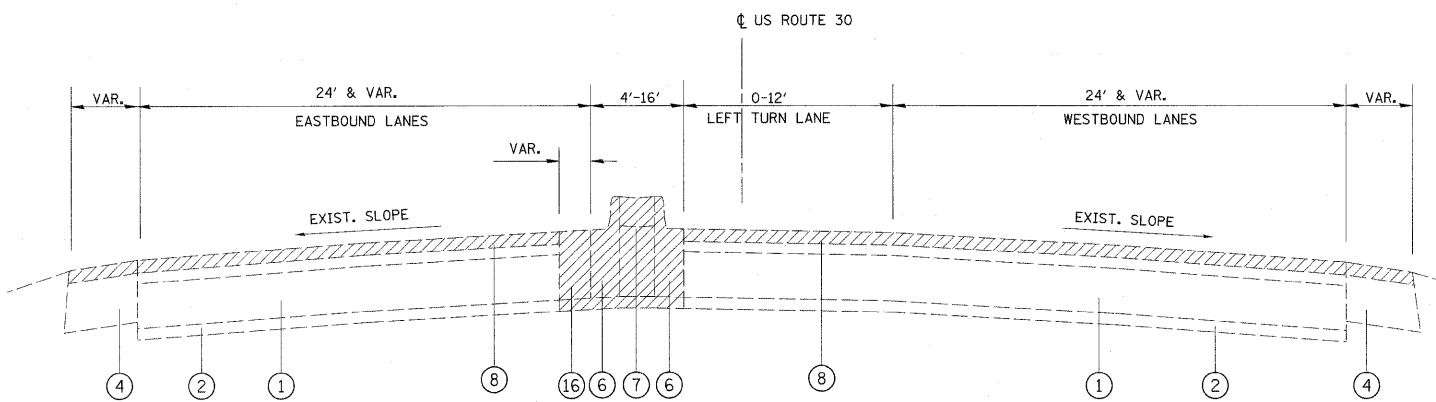
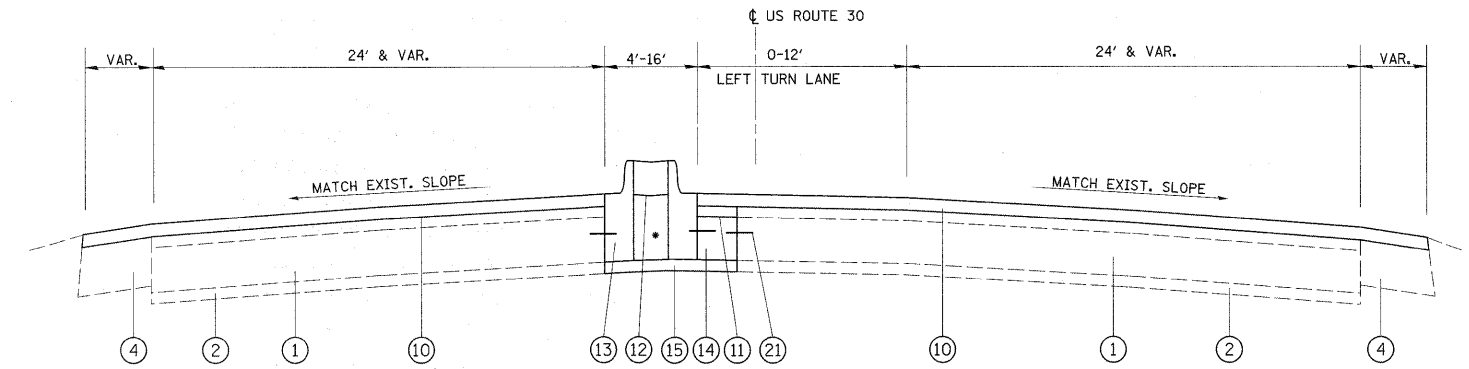


EXISTING TYPICAL SECTION US ROUTE 30  
STA. 95+17 TO STA. 99+64 (WEST LEG, FACING EAST)

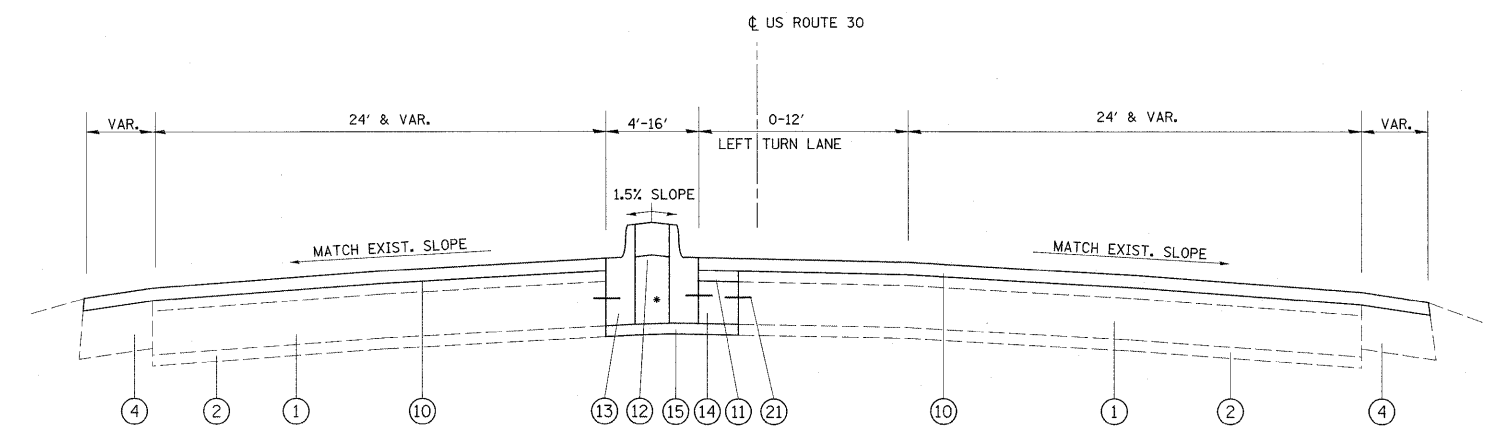


EXISTING TYPICAL SECTION US ROUTE 30  
STA. 50+35 TO STA. 54+88 (EAST LEG, FACING WEST)



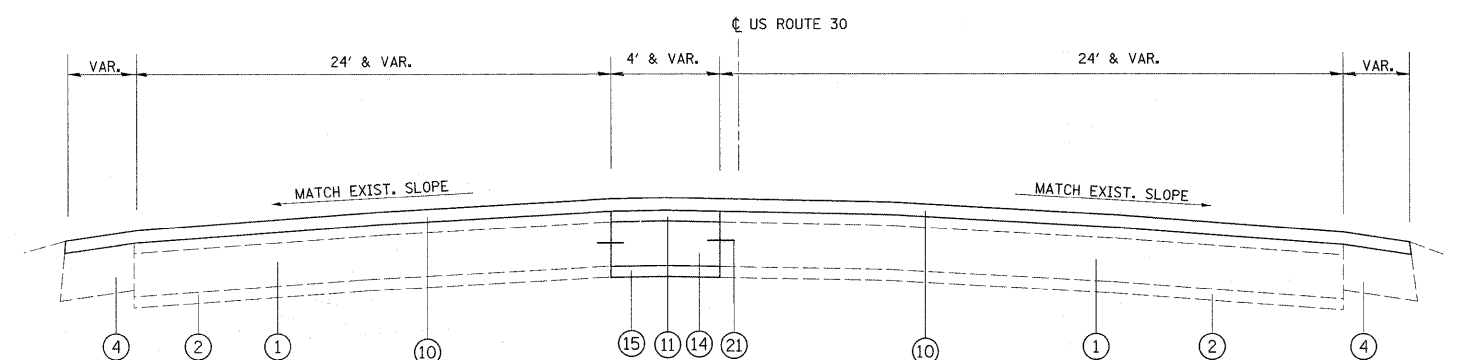
PROPOSED TYPICAL SECTION US ROUTE 30  
STA. 95+17 TO STA. 99+54 (WEST LEG, FACING EAST)

\*NOTE: PROP. SANDFILL SHOULD BE INCLUDED IN THE COST OF CONC. MEDIAN SURFACE.



PROPOSED TYPICAL SECTION US ROUTE 30  
STA. 50+51 TO STA. 54+88 (EAST LEG, FACING WEST)

\*NOTE: PROP. SANDFILL SHOULD BE INCLUDED IN THE COST OF CONC. MEDIAN SURFACE.



PROPOSED TYPICAL SECTION US ROUTE 30  
STA. 50+35 TO STA. 50+51  
STA. 99+54 TO STA. 99+64

**LEGEND**

- ① EXIST. PCC BASE COURSE, 10"(±)
- ② EXIST. SUB-BASE GRANULAR MATERIAL, TYPE B, 4"
- ③ EXIST. HOT-MIX ASPHALT OVERLAY, 2 1/2"(±)
- ④ EXIST. HMA SHOULDER
- ⑤ PROP. PAVED SHOULDER REMOVAL
- ⑥ PROP. COMB. CONCRETE CURB AND GUTTER REMOVAL
- ⑦ PROP. CONCRETE MEDIAN SURFACE REMOVAL
- ⑧ PROP. HOT-MIX ASPHALT SURFACE REMOVAL, 1 3/4"
- ⑨ PROP. HOT-MIX ASPHALT SURFACE REMOVAL, 2 1/2"
- ⑩ PROP. HOT-MIX ASPHALT SURFACE COURSE, MIX "F", N90, 1 3/4"
- ⑪ PROP. POLYMERIZED LEVELING BINDER (MM), IL-4.75, N50, 3/4"
- ⑫ PROP. CONCRETE MEDIAN SURFACE, 6"
- ⑬ PROP. CONCRETE CURB AND GUTTER, TYPE B-9.12
- ⑭ PROP. PCC BASE COURSE WIDENING, 10"
- ⑮ PROP. SUB-BASE GRANULAR MATERIAL, TYPE B, 4"
- ⑯ PROP. PAVEMENT REMOVAL
- ⑰ PROP. HOT-MIX ASPHALT SHOULDER, 10"
- ⑱ PROP. GAURDRAIL REMOVAL
- ⑲ PROP. STEEL PLATE BEAM GUARDRAIL
- ⑳ PROP. GRADING AND SHAPING DITCHES
- ㉑ PROP. NO. 6 EPOXY COATED DEFORMED BARS @ 24" CENTERS

**NOTES:**

PAVEMENT PATCHING SHALL BE DONE PRIOR TO MILLING OF THE ROADWAY.  
PAVEMENT PATCHING SHALL BE DONE ONLY ON RIDGELAND AVE.

FILE NAME =	USER NAME = shiranisb	DESIGNED -	REVISED -	<b>STATE OF ILLINOIS DEPARTMENT OF TRANSPORTATION</b>	<b>US ROUTE 30 AT RIDGELAND AVENUE EXISTING AND PROPOSED TYPICAL SECTIONS</b>			F.A.P. RTE. 353	SECTION 23-N-3	COUNTY COOK	TOTAL SHEETS 38	SHEET NO. 7
get\pwwork\NPWIDOT\SHIRANISB\d8187234\F113907-Design.dgn		DRAWN -	REVISED -		SCALE: N.T.S.	SHEET NO. 2 OF 2 SHEETS	STA.	TO STA.	FED. ROAD DIST. NO. 1 ILLINOIS		CONTRACT NO. 60149	
		CHECKED -	REVISED -									
		DATE -	REVISED -									