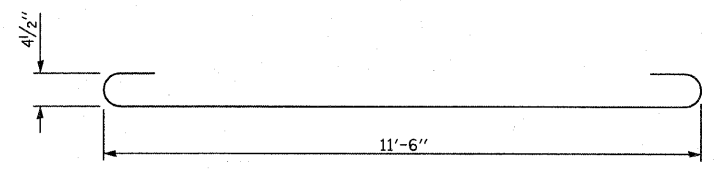
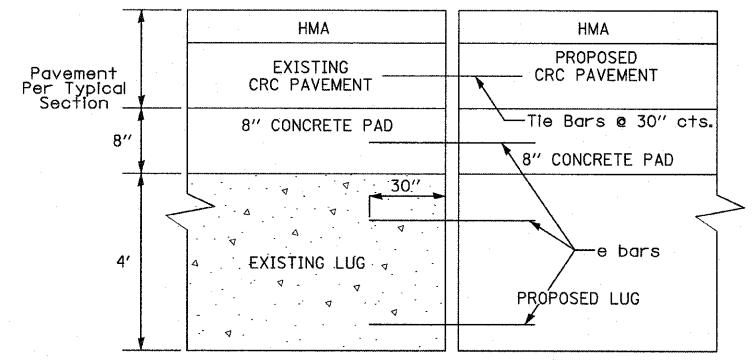


BAR a



BAR b



SECTION B-B

MATERIALS REQUIRED FOR (1) ONE LUG SYSTEM
(Excluding Pavement Concrete and Pavement Reinforcement)

Bar	Qty.	Size	Length	Shape
a	66	No. 8 (No. 25)	14'-0" (4.25 m)	
b	18	No. 5 (No. 16)	12'-9" (7.43 m)	
c	66	No. 5 (No. 16)	20'-0" (6.10 m)	
d	14	No. 4 (No. 13)	11'-9" (3.52 m)	
e	9	No. 8 (No. 25)	5'-0" (1.52 m)	

Concrete, cu. yds.	11.0
Reinforcing Bars, lbs.	4314
Concrete Pad, sq. yds.	76
Improved Subgrade, sq. yds.	86

TYLIN INTERNATIONAL USER NAME = PLOT SCALE = PLOT DATE =	DESIGNED - JDU DRAWN - JDU CHECKED - JDU DATE - 3/18/2010	REVISED - REVISED - REVISED - REVISED -	STATE OF ILLINOIS DEPARTMENT OF TRANSPORTATION	I-57 AT I-294 INTERCHANGE PROJECT CRC PAVEMENT WITH LUG SYSTEM COMPLETE 12'		F.A.I. RTE. 57 SECTION 1414.2B COUNTY COOK CONTRACT NO. 60J27	TOTAL SHEETS 516 SHEET NO. 64
	SCALE: NTS SHEET NO. 2 OF 2 SHEETS STA. TO STA.			FED. ROAD DIST. NO. ILLINOIS FED. AID PROJECT			
	3/11/2010 2:50:41 PM						