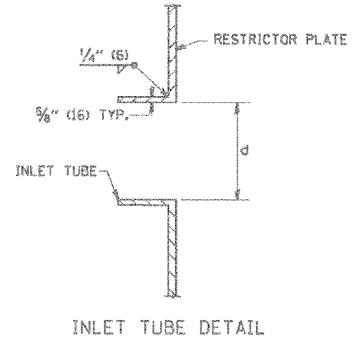
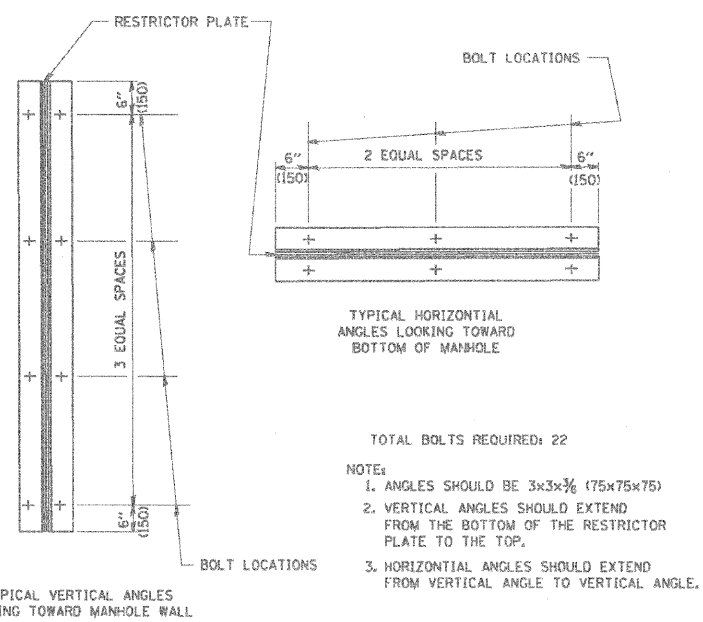


- NOTES:
1. ALL STEEL ANGLES AND PLATES TO BE GALVANIZED AFTER FABRICATION.
 2. ALL RESTRICTOR PLATES, ANGLES AND HARDWARE TO BE INCLUDED IN THE COST OF THE MANHOLE.
 3. BASIS OF PAYMENT: "MANHOLES, TYPE A, 6 FT. (1.8 m) DIAMETER, TYPE 1 FRAME, CLOSED LID, RESTRICTOR PLATE" EACH



STATION	MANHOLE DIAMETER	FRAME AND GRATE	RESTRICTOR TYPE	INSIDE RESTRICTOR TYPE DIAMETER in. (mm) (d)	INVERT OF RESTRICTOR TYPE	ELEVATION OF TOP OF PLATE OVERFLOW
1190+00	6'	T1F CL	3	18	608.05	611.17
1206+40	6'	T1F CL	3	24	602.89	606.75
1221+00	6'	T1F CL	3	21	602.16	606.30
1228+50	6'	T1F CL	3	12	602.10	605.00
1231+00	8'	T1F CL	3	16	602.20	606.60
1271+40	8'	T1F CL	3	18	612.82	619.30



RESTRICTOR TYPE					
1	2	3	4	5	6
RE-ENTRANT TUBE	SHARP EDGED	SQUARE EDGED	RE-ENTRANT TUBE	SQUARE EDGED	ROUNDED
LENGTH: 1/2 TO 1 DIA.		STREAM CLEARS SIDES	LENGTH: 2-1/2 DIA.	LENGTH: 2-1/2 DIA.	
C=.52	C=.61	C=.61	C=.73	C=.82	C=.98

VALUES OF "C" FOR CIRCULAR AND SQUARE ORIFICES

COMPANY NAME: SEC GROUP, INC.
 PROJECT CONTACT: T. HAMILTON
 CLIENT: ILLINOIS DEPARTMENT OF TRANSPORTATION
 DATE PLOTTED: 4/23/2010 10:38:55 AM
 FILE NAME: PL_PP_Details-Restrictor.dgn
 PLOT DRIVER: pdfcvt
 PEN TABLE: standard-trans.tbl

SEC Group, Inc.
 An HR Group Company
 400 N. First Street
 Moline, IL 60201-2198
 T: 815.395.1778 F: 815.395.1781
 www.secgroup.com
 *McHenry, IL *Rockford, IL *New Lenox, IL *Chicago, IL

USER NAME = JAttano	DESIGNED - R. SHAH	REVISED - R. SHAH 10-25-94
FILE NAME = PL_PP_Details-Restrictor.dgn	DRAWN -	REVISED - E. GOMEZ 08-28-00
PLOT SCALE = 1:1	CHECKED -	REVISED - M. GOMEZ 01-08-01
PLOT DATE = 4/23/2010	DATE - 09-09-94	REVISED -

STATE OF ILLINOIS
DEPARTMENT OF TRANSPORTATION

MANHOLE WITH RESTRICTOR PLATE
 SCALE: N.T.S. SHEET NO. 2 OF 5 SHEETS STA. TO STA.

F.A.I. RTE.	SECTION	COUNTY	TOTAL SHEETS	SHEET NO.
57	1414.2B	COOK	516	158
BD600-04 (BD-12)		CONTRACT NO. 60J27		
FED. ROAD DIST. NO.		ILLINOIS FED. AID PROJECT		

Rev. 4/29/2010

ALL DIMENSIONS ARE IN INCHES (MILLIMETERS) UNLESS OTHERWISE SHOWN.