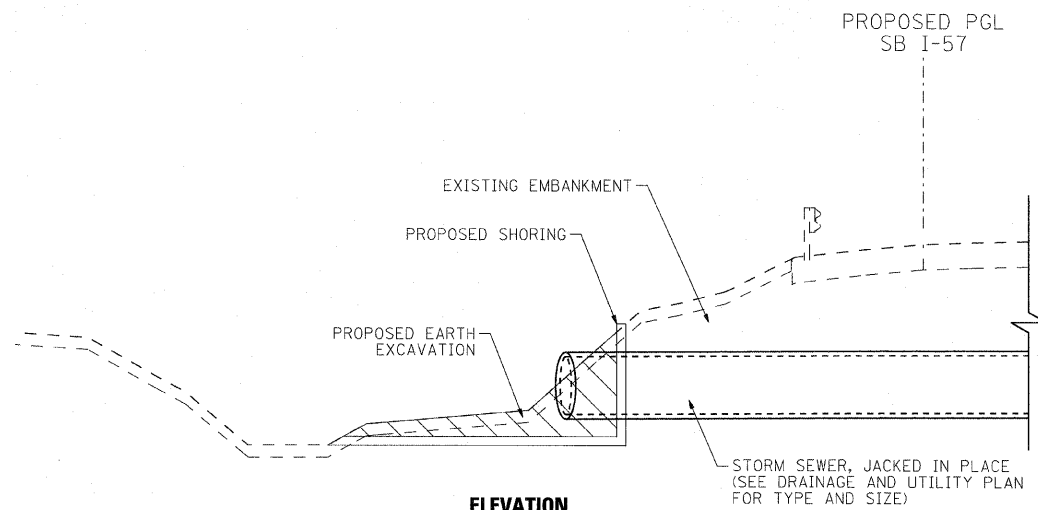
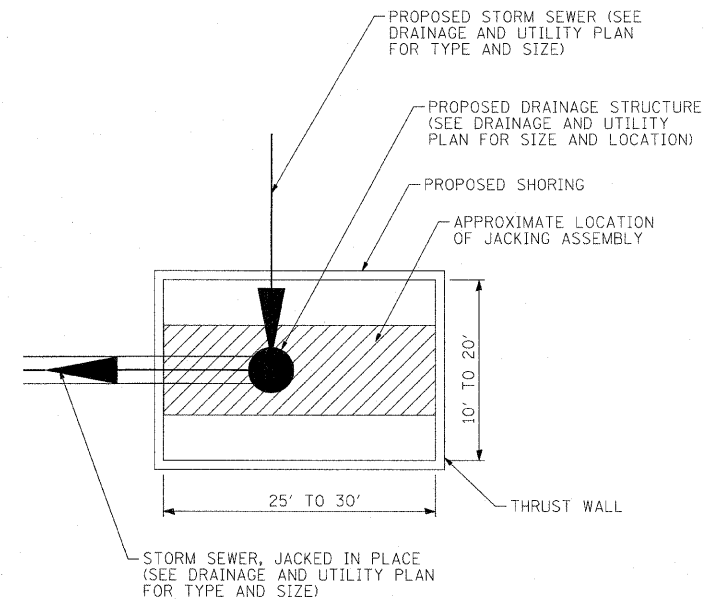


PLAN

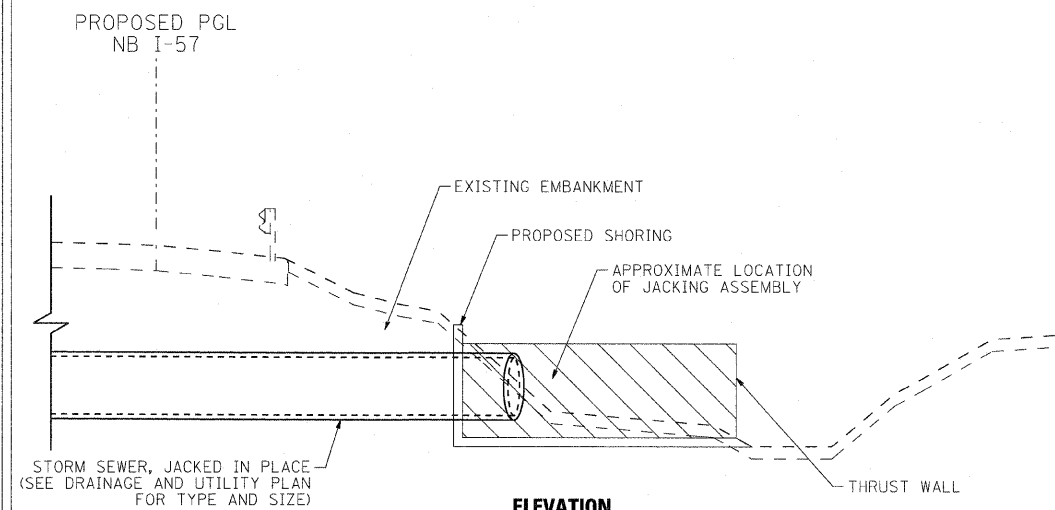


ELEVATION

RECEIVING PIT DETAIL



PLAN



ELEVATION

JACKING PIT DETAIL

NOTE:

TEMPORARY CHAIN LINK FENCE (PORTABLE) SHALL BE INSTALLED AT ALL JACKING AND RECEIVING PIT LOCATIONS ADJACENT TO LOCAL AND FRONTAGE ROADS. A QUANTITY OF 80 LF IS PROVIDED FOR ALL APPLICABLE LOCATIONS.

COMPANY NAME: SEC GROUP, INC.
 PROJECT CONTACT: T. HAMILTON
 CLIENT: ILLINOIS DEPARTMENT OF TRANSPORTATION
 DATE PLOTTED: 3/17/2010 10:27:38 AM
 FILE NAME: PL_PP_Details-Pipe_Jacking.dgn
 PLOT DRIVER: pdf24tfrt
 PEN TABLE: Standard-Trans.tbl

SEC Group, Inc.
 16101 Grand Central
 400 N. Ford Street
 Skokie, IL 60076-2138
 T 815.385.1778 F 815.385.1781
 www.secgroup.com
 Headquarters - Skokie, IL New Office - Chicago, IL

USER NAME = JAttana	DESIGNED - J. ATTANASEO	REVISED -
FILE NAME = PL_PP_Details-Pipe_Jacking.dgn	DRAWN - J. ATTANASEO	REVISED -
PLOT SCALE = N.T.S.	CHECKED -	REVISED -
PLOT DATE = 3/17/2010	DATE - 3/17/10	REVISED -

**STATE OF ILLINOIS
 DEPARTMENT OF TRANSPORTATION**

**I-294 AT I-57 INTERCHANGE PROJECT DRAINAGE DETAILS
 JACKING AND RECEIVING PIT DETAILS**

SCALE: *SCALE1* SHEET NO. 4 OF 5 SHEETS STA. TO STA.

F.A.I. RTE.	SECTION	COUNTY	TOTAL SHEETS	SHEET NO.
57	1414.2B	COOK	516	160
FED. ROAD DIST. NO. ILLINOIS FED. AID PROJECT			CONTRACT NO. 60J27	