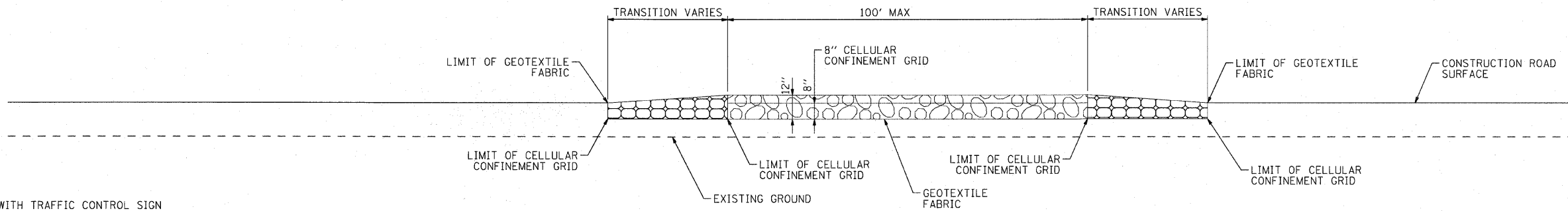
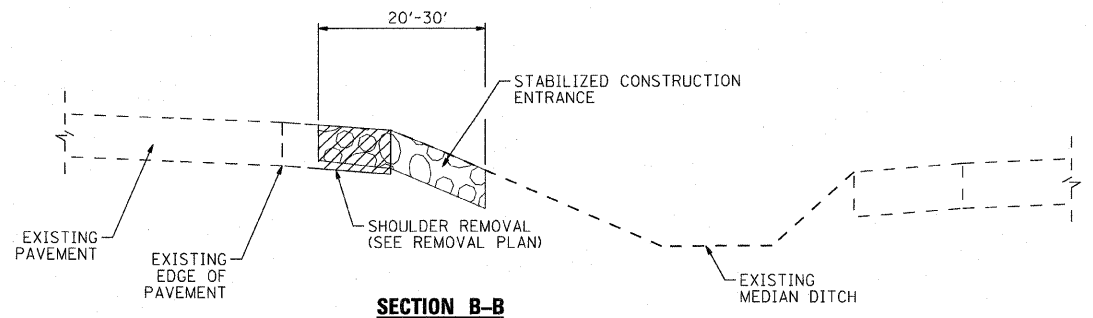


PLAN



SECTION A-A



SECTION B-B

LEGEND

- FLAGGER WITH TRAFFIC CONTROL SIGN
- ← DIRECTION OF TRAFFIC
- ⊥ SIGN ON SUPPORT (SEE HWY STD 701901)
- DRUM W/ MONODIRECTIONAL STEADY BURN LIGHT
- ▬ TEMPORARY CONCRETE BARRIER
- ▨ WORK AREA
- ▩ IMPACT ATTENUATOR

SUGGESTED SOUTH BOUND STATION	SUGGESTED NORTH BOUND STATION
STA. 1173+75	STA. 1173+75
STA. 1194+00	STA. 1194+00
STA. 1214+00	STA. 1216+00
STA. 1234+00	STA. 1244+00
STA. 1256+00	STA. 1256+00
STA. 1274+10	STA. 1274+00

COMPANY NAME: SEC GROUP, INC.
 PROJECT CONTACT: T. HAMILTON
 CLIENT: ILLINOIS DEPARTMENT OF TRANSPORTATION
 DATE PLOTTED: 3/18/2010 7:35:43 AM
 FILE NAME: PLEC-Details-StabConstEntr.dgn
 PLOT DRIVER: pdt_dett_trf.dgn
 PEN TABLE: s10andarc-trans.tbl



USER NAME = JAttana	DESIGNED - J. ATTANASEO	REVISED -
FILE NAME = PLEC-Details-StabConstEntr.dgn	DRAWN - J. ATTANASEO	REVISED -
PLOT SCALE = N.T.S.	CHECKED -	REVISED -
PLOT DATE = 3/18/2010	DATE - 3/18/10	REVISED -

STATE OF ILLINOIS
DEPARTMENT OF TRANSPORTATION

I-294 AT I-57 INTERCHANGE PROJECT
EROSION CONTROL PLAN - I-294

SCALE: *SCALE1* SHEET NO. 1 OF 1 SHEETS STA. TO STA.

F.A.I. RTE. 57	SECTION 1414.2B	COUNTY COOK	TOTAL SHEETS 516	SHEET NO. 190
FED. ROAD DIST. NO. ILLINOIS		FED. AID PROJECT CONTRACT NO. 60J27		