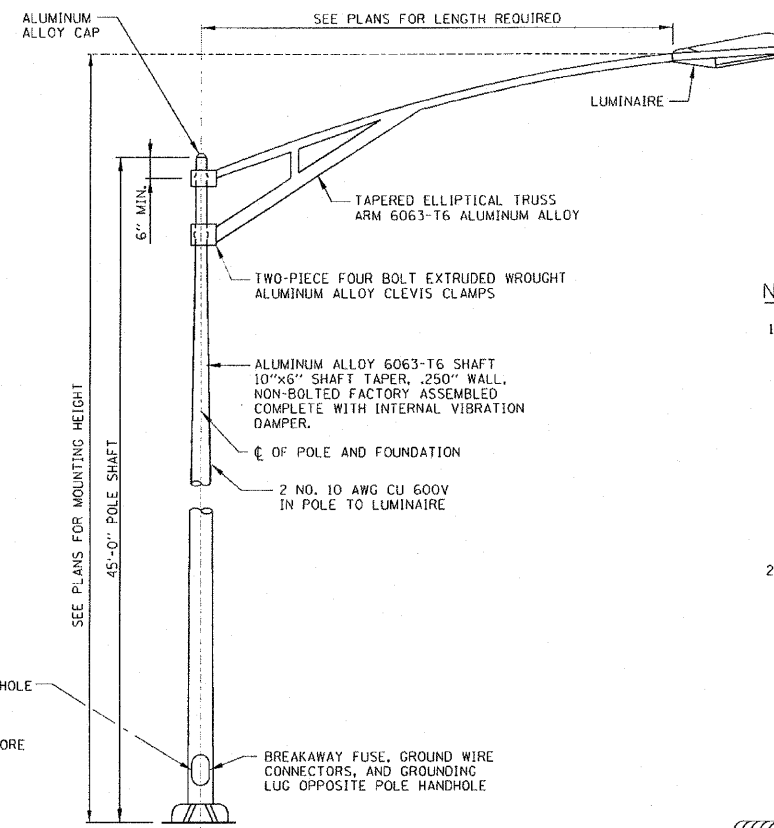
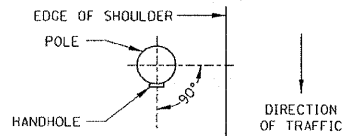


TWIN MAST LIGHT STANDARD DETAIL  
NO SCALE



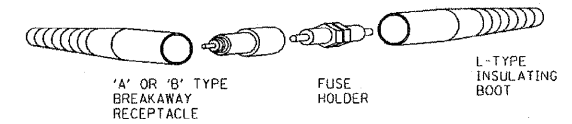
SINGLE MAST LIGHT STANDARD DETAIL  
NO SCALE



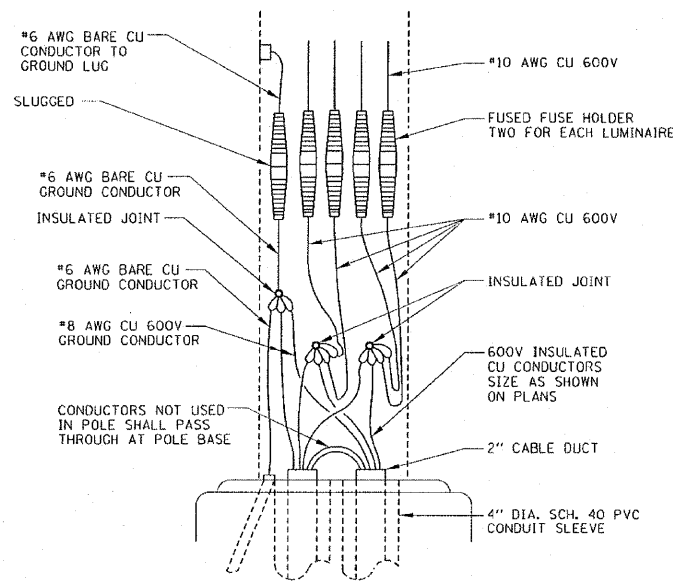
HANDHOLE ORIENTATION

NOTES:

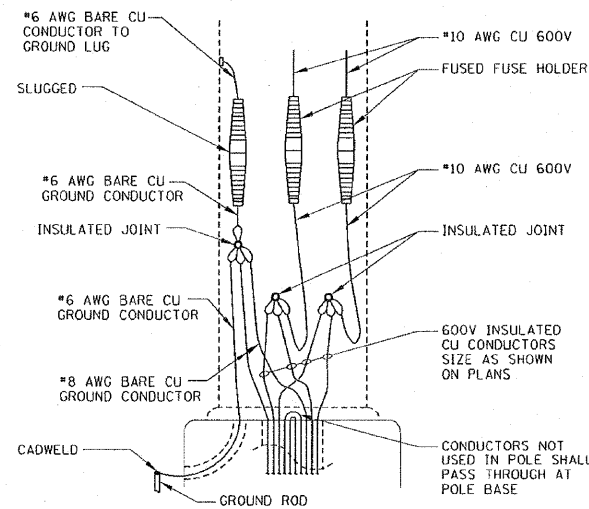
- ALL LIGHT STANDARDS, BOTH NEW AND EXISTING, ARE SHOWN ON PLANS WITH THE FOLLOWING SAMPLE DESCRIPTION:
- FOR STRUCTURAL DETAILS OF MEDIAN BARRIER AND CAISSON, SEE STANDARD H8 (MEDIAN BARRIER LIGHT POLE FOUNDATION DETAILS), STANDARD H9 (MEDIAN BARRIER LIGHT POLE FOUNDATION DETAILS - TYPE 4 RETROFIT, 32" BARRIER) OR STRUCTURAL PLANS.



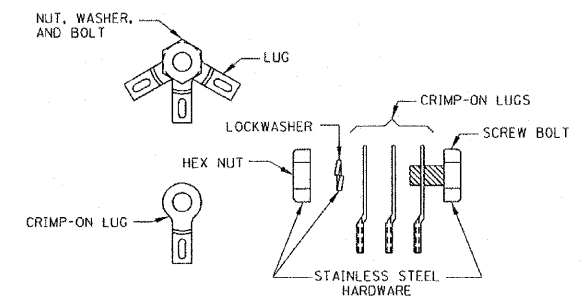
IN-THE-LINE FUSE HOLDER DETAIL WITH BREAKAWAY FEATURE  
NO SCALE



TWIN MAST POLE BASE WIRING DIAGRAM  
NO SCALE



SINGLE MAST POLE BASE WIRING DIAGRAM  
NO SCALE



JOINT ASSEMBLY DETAILS  
NO SCALE

SHEET E14



LIGHT STANDARD POLE WIRING

STANDARD H2-00

214 OF 516

DATE	REVISIONS

APPROVED *Jeff Waley* CHIEF ENGINEER DATE 1-1-2007