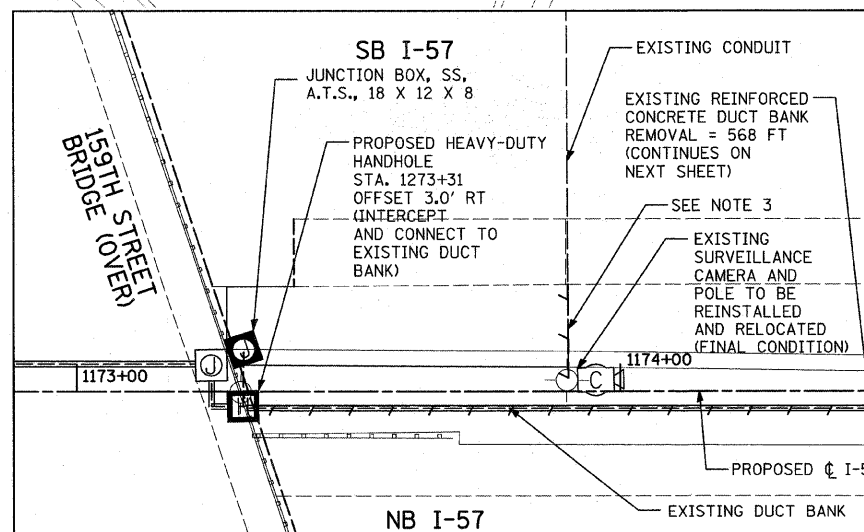
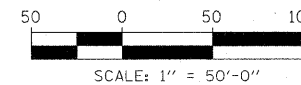
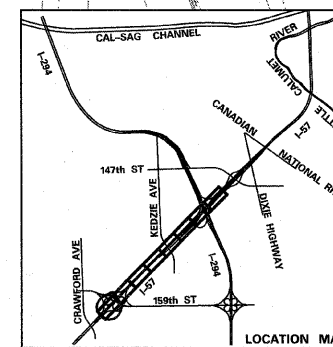


NOTES:

1. SEE WIRING DIAGRAM SHEETS FOR CABLING DETAILS AT 159TH STREET PROPOSED HANDHOLE.
2. SEE WIRING DIAGRAM SHEETS FOR AERIAL CABLING DETAILS ON TEMPORARY WOOD POLES.
3. REMOVAL OF EXISTING CONDUIT SHALL BE INCLUDED IN THE COST OF THE ASSOCIATED REPLACEMENT ITEMS - SEE PROPOSED TRAFFIC SURVEILLANCE PLAN SHEETS



DETAIL 1



TYLIN INTERNATIONAL	USER NAME =	DESIGNED - JDF	REVISED -
	PLOT SCALE =	DRAWN - CAC	REVISED -
	PLOT DATE =	CHECKED - DAJ	REVISED -
		DATE - 3/18/2010	REVISED -

**STATE OF ILLINOIS
DEPARTMENT OF TRANSPORTATION**

**I-57 AT I-294 INTERCHANGE PROJECT
PROPOSED TEMPORARY TRAFFIC SURVEILLANCE PLANS AND REMOVALS**

SCALE: 1"=50' SHEET NO. 1 OF 8 SHEETS STA. 1160+00 TO STA. 1174+50

F.A.I. RTE. 57	SECTION 1414.2B	COUNTY COOK	TOTAL SHEETS 516	SHEET NO. 217
FED. ROAD DIST. NO. ILLINOIS		CONTRACT NO. 60J27		