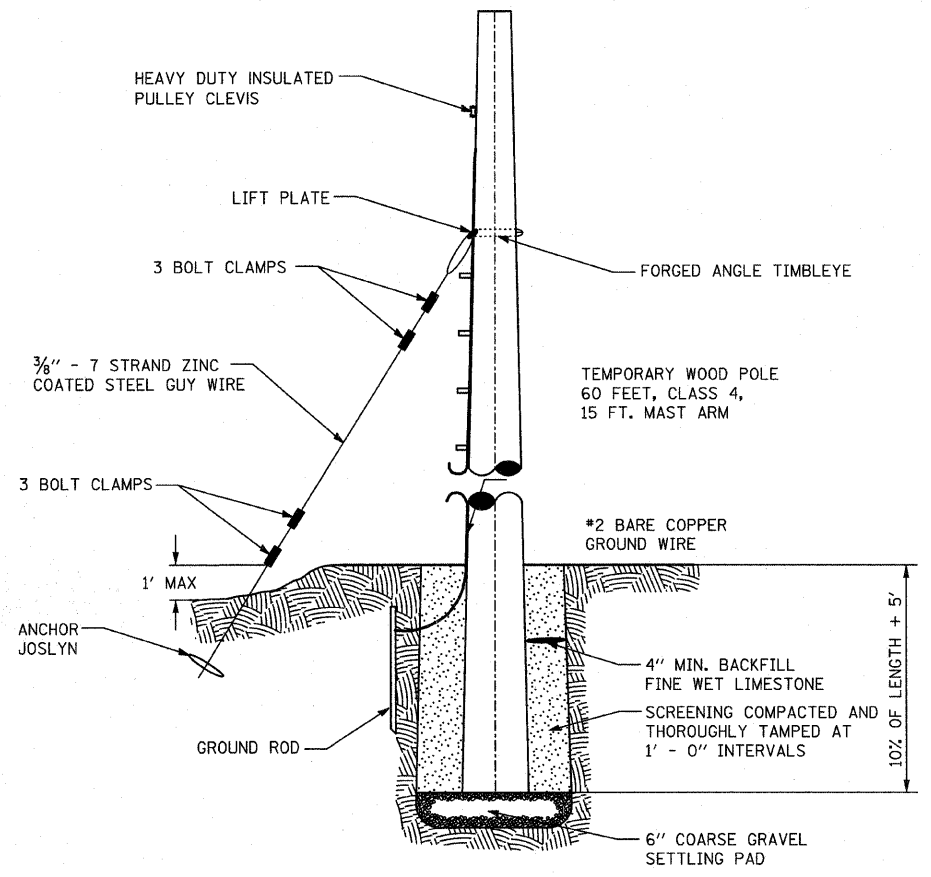
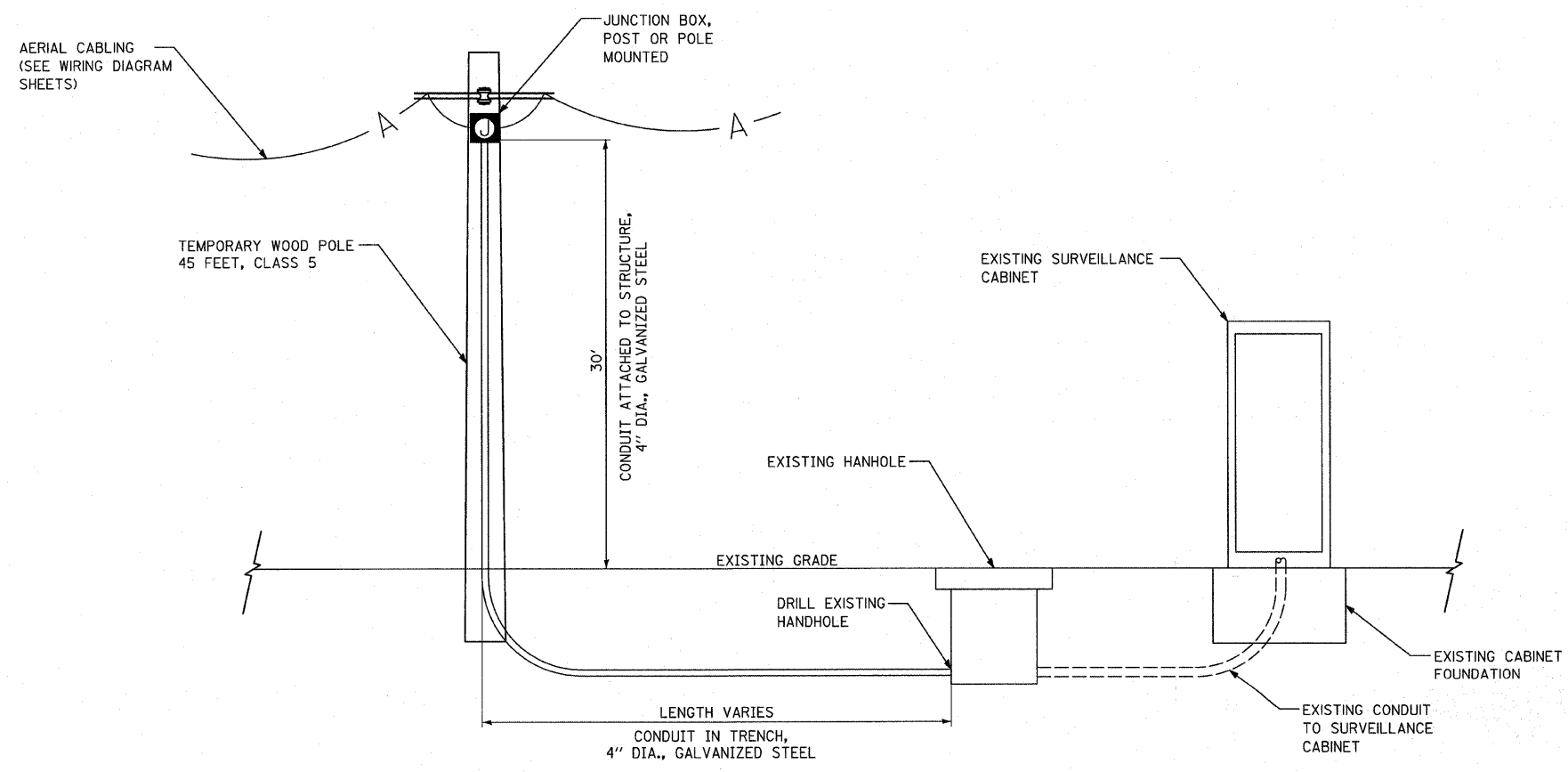


**WOOD POLE TO WOOD POLE  
CABLE ATTACHMENT DETAIL**  
N.T.S.



**TEMPORARY WOOD POLE DETAIL**  
N.T.S.



**TYPICAL TEMPORARY CONDUIT AT SURVEILLANCE CABINET DETAILS**  
N.T.S.

<b>TYLIN INTERNATIONAL</b>	USER NAME =	DESIGNED - JDF	REVISED -	<b>STATE OF ILLINOIS DEPARTMENT OF TRANSPORTATION</b>	<b>I-57 AT I-294 INTERCHANGE PROJECT TEMPORARY TRAFFIC SURVEILLANCE DETAILS</b>			F.A.I. RTE. 57	SECTION 1414.2B	COUNTY COOK	TOTAL SHEETS 516	SHEET NO. 227	
	PLOT SCALE =	CHECKED - DAJ	REVISED -		SCALE: NONE	SHEET NO. 1 OF 2 SHEETS	STA. TO STA.	CONTRACT NO. 60J27					
	PLOT DATE =	DATE - 3/18/2010	REVISED -		FED. ROAD DIST. NO. ILLINOIS FED. AID PROJECT								
	3/18/2010 11:25:54 AM												