

GENERAL NOTES

Fasteners shall be AASHTO M164 Type 1, mechanically galvanized bolts. Bolts 7/8-in. ϕ , holes 13/16-in. ϕ , unless otherwise noted.

Calculated weight of Structural Steel =

Grade 50 = 1,560,090 lbs.
Grade 36 = 115,580 lbs.

No field welding is permitted except as specified in the contract documents. Reinforcement bars shall conform to the requirements of ASTM A 706 Gr 60. See Special Provisions.

Reinforcement bars designated (E) shall be epoxy coated.

If the Contractor elects to use cantilever forming brackets on the exterior beams or girders, the brackets shall be placed at the same locations as required for the hardwood blocks in Article 503.06(b) of the Standard Specifications. If additional cantilever forming brackets are required, hardwood blocking shall be wedged between the exterior and first interior beam at each of these additional bracket locations.

Bearing seat surfaces shall be constructed or adjusted to the designated elevations within a tolerance of 1/8 inch (0.01 ft.). Adjustment shall be made either by grinding the surface or by shimming the bearings.

Concrete Sealer shall be applied to the exposed surface areas of Piers 1 & 2. At each abutment apply to exposed surfaces of backwalls, bridge seats and front face pile caps.

The existing structural steel coating contains lead. The Contractor shall take appropriate precautions to deal with the presence of lead on this project.

The Organic Zinc Rich Primer / Epoxy / Urethane Paint System shall be used for painting of new structural steel except where otherwise noted. The entire system shall be shop applied, with the exception that masked off connection surfaces, field installed fasteners and damaged areas shall be touched up in the field. The color of the final finish coat for all interior steel surfaces shall be Gray, Munsell No. 5B 7/1. The color of the final finish coat for the exterior and bottom flange of the fascia beams shall be Interstate Green, Munsell No. 7.5G. See Special Provision for "Cleaning and Painting New Metal Structures".

Slipforming of the parapets is not allowed.

Sloped wall shall be reinforced with welded wire fabric, 6in x 6in - w4.0 x w4.0, weighing 58 lbs. per 100 sq. ft. For additional details and reinforcement see ISTHA Standard G2-01. Cost of additional reinforcement in sloped wall shall be included in Slope Wall 4 Inch.

The existing protective shielding shall be removed and salvaged. The Contractor shall deliver it to: IDOT District Bridge Office - Attn: Shaker Asfour, 1101 Biesterfeld Road, Elk Grove Village, IL 60007. The cost shall be included in Removal of Existing Structures No.1 and 2.

The conduit shown embedded in structure and attached to structure is paid for in the Roadway Plans.

It shall be the Contractor's responsibility to verify the location of all fiber optic utilities prior to starting construction. The Contractor shall initiate the locate process for the fiber optic cable by completing a "Request to Locate Tollway Facilities" form (Tollway Form A-36) and submitting it to the Tollway. Copies of Form A-36 are available from the Tollway's Utility/Permit Section (630-241-6800, ext 3306). Completed A-36 Forms shall be faxed to the Tollway to the attention of Tollway Utility Administrator at 630-271-7568, at least four (4) business days prior to starting any underground operations, excavations or digging of any type in general area of the fiber optic cable.

INDEX OF SHEETS

1	General Plan and Elevation
2	General Notes, Index of Sheets, Bill of Material
3	Stage Construction
4	Stage Construction Details
5	Temporary Concrete Barrier
6	Top of Slab Elevations-Layout
7	Top of Slab Elevations-SB I57 - 1
8	Top of Slab Elevations-SB I57 - 2
9	Top of Slab Elevations-SB I57 - 3
10	Top of Slab Elevations-NB I57 - 1
11	Top of Slab Elevations-NB I57 - 2
12	Top of Slab Elevations-NB I57 - 3
13	Top of Slab Elevations-C-D Road A -1
14	Top of Slab Elevations-C-D Road A -2
15	Top of Approach Slab Elevations-Layout
16	Top of West Approach Slab Elevations
17	Top of East Approach Slab Elevations
18	Superstructure - SB I57
19	Superstructure - NB I57
20	Superstructure - C-D Road A
21	Parapet Elevations
22	Superstructure Details
23 - 28	West Approach Slab Details
29 - 34	East Approach Slab Details
35	Anchorage Slab Details
36	Drainage Details
37	Drainage Scupper DS-11
38	Preformed Joint Strip Seal
39	Framing Plan
40	Structural Steel Details
41	Bearings-Abutments
42	Bearings-Piers
43	West Abutment - 1
44	West Abutment - 2
45	West Abutment Details
46	East Abutment - 1
47	East Abutment - 2 and Details
48	Mechanically Stabilized Earth Retaining Wall
49	Mechanically Stabilized Earth Retaining Wall - Details
50	Pier 1 Plan and Elevation - 1
51	Pier 1 Plan and Elevation - 2
52	Pier 2 Plan and Elevation - 1
53	Pier 2 Plan and Elevation - 2
54	Pier Details
55	HP Pile Details
56	Bar Splicer Assembly and Mechanical Splicer Details
57 - 68	Boring Logs

TOTAL BILL OF MATERIAL

ITEM	UNIT	SUPER	SUB	TOTAL
Porous Granular Embankment, Special	Cu Yd		224.8	224.8
Removal of Existing Structures No. 1	Each			1
Removal of Existing Structures No. 2	Each			1
Protective Shield	Sq yd	2749		2749
Structure Excavation	Cu Yd		6889.0	6889.0
Concrete Structures	Cu Yd		1664.7	1664.7
Concrete Superstructure	Cu Yd	2,128.0		2,128.0
Bridge Deck Grooving	Sq Yd	6466		6466
Concrete Encasement	Cu Yd		63.9	63.9
Protective Coat	Sq Yd	7,519		7,519
Furnishing and Erecting Structural Steel	L SUM	0.80		0.80
Stud Shear Connectors	Each	33,201		33,201
Reinforcement Bars, Epoxy Coated	Pound	519,610	195,430	715,040
Bar Splicers	Each		542	542
Slope Wall 4 Inch	Sq Yd		1100	1100
Furnishing Steel Piles HP12x53	Foot		12,689	12,689
Driving Piles	Foot		12,689	12,689
Test Pile Steel HP12x53	Each		4	4
Pile Shoes	Each		375	375
Braced Excavation	Cu Yd		1,196	1,196
Name Plates	Each		1	1
Preformed Joint Strip Seal	Foot	431.0		431.0
Elastomeric Bearing Assembly, Type I	Each	62		62
Elastomeric Bearing Assembly, Type II	Each	31		31
Anchor Bolts, 1"	Each	248		248
Concrete Sealer	Sq Ft		9,473	9,473
Geocomposite Wall Drain	Sq Yd		239	239
Pipe Underdrain for Structures 4"	Foot		420	420
Drainage Scuppers, DS11	Each	18		18
Temporary Soil Retention System	Sq Ft		4,262	4,262
Mechanically Stabilized Earth Retaining Wall	Sq Ft		4,860	4,860
Drainage System	L Sum	0.80		0.80

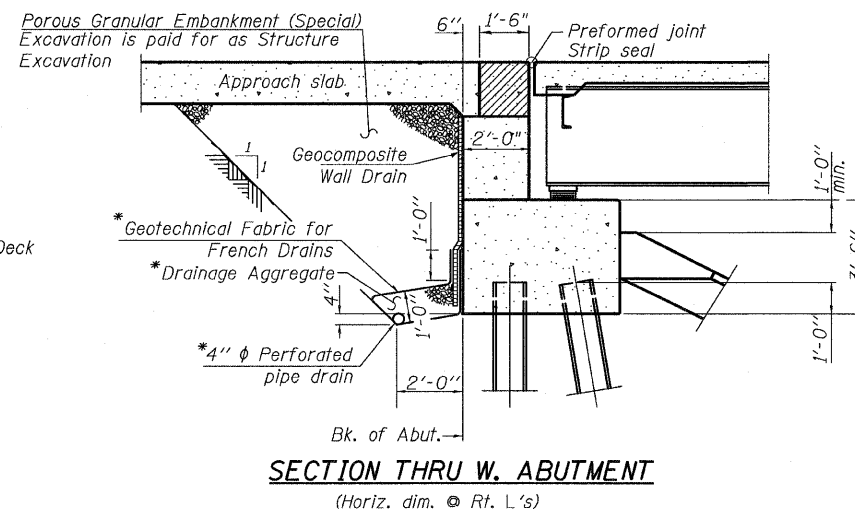
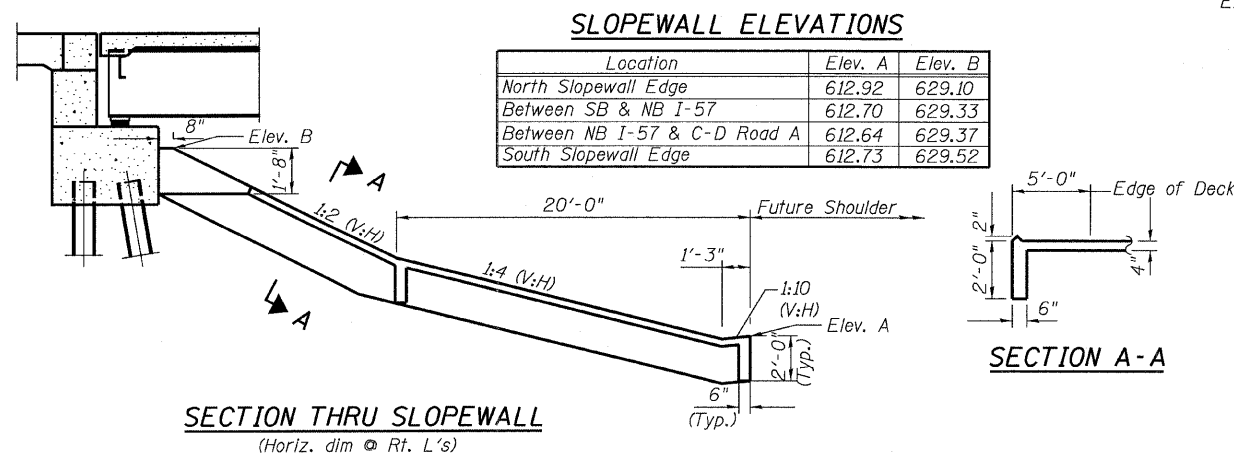
STATION 1258+48.81
BUILT 20 BY
STATE OF ILLINOIS
F.A.I. RT.57 SEC.1414.2B
LOADING HL-93
STRUCTURE NO. 016-1251

NAME PLATE
See Std. 515001

*Included in the cost of Pipe Underdrains for Structures 4"

All drainage system components shall extend to 2'-0" from the end of each wingwall except an outlet pipe shall extend until intersection with the side slopes. The pipes shall drain into concrete headwalls. (See Article 601.05 of the Standard Specifications and Highway Standard 601101)

GENERAL NOTES, INDEX OF SHEETS, BILL OF MATERIAL
STRUCTURE NO. 016-1251



TYLIN INTERNATIONAL	DESIGNED - SP	REVISIONS		SHEET NO. 2	F.A.I. RTE. 57	SECTION 1414.2B	COUNTY COOK	TOTAL SHEETS 516	SHEET NO. 247
	CHECKED - SP, PDF	NAME	DATE						
	DRAWN - SP								
	CHECKED - SP, PDF								
DATE - 03/18/10		04/29/10	CONTRACT NO. 60J27		FED. ROAD DIST. NO. 1 ILLINOIS FED. AID PROJECT				

P:\602540(57-294)\STRUCTURAL\1-57_OVER_1294_0161251-60J27-002-GENNOTES-90M.dgn 2:45:22 PM 4/28/2010