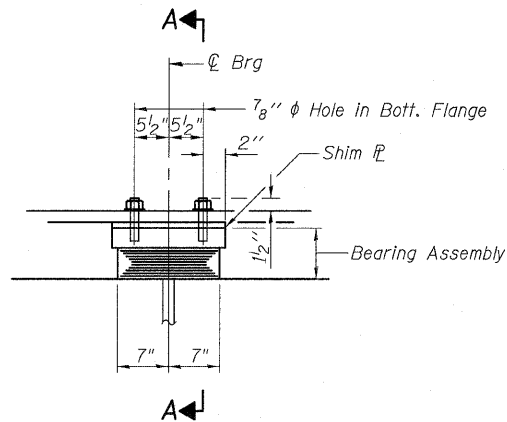
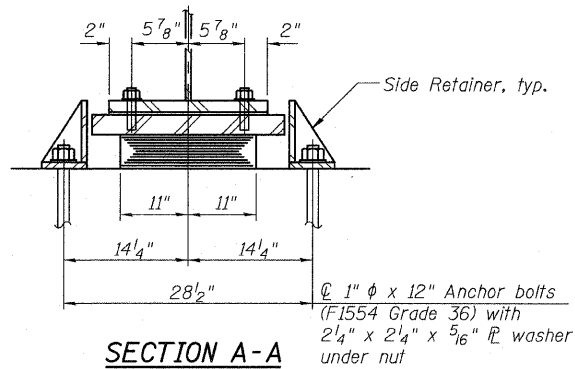


STATE OF ILLINOIS
DEPARTMENT OF TRANSPORTATION

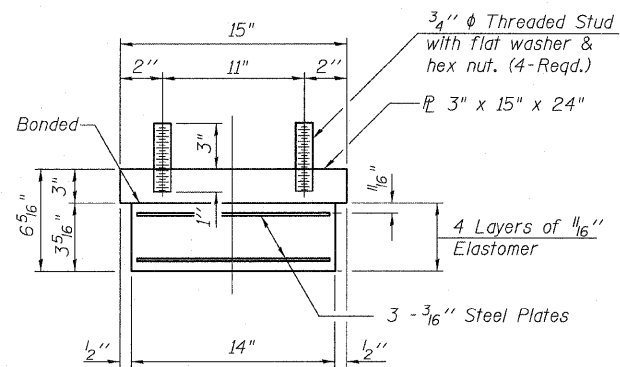


ELEVATION AT PIER



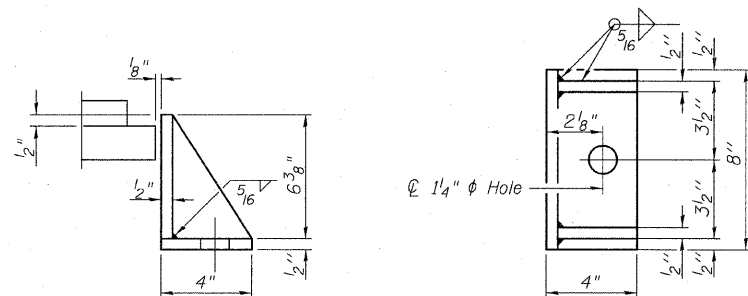
SECTION A-A

TYPE I ELASTOMERIC EXP. BRG.
AT PIER 1



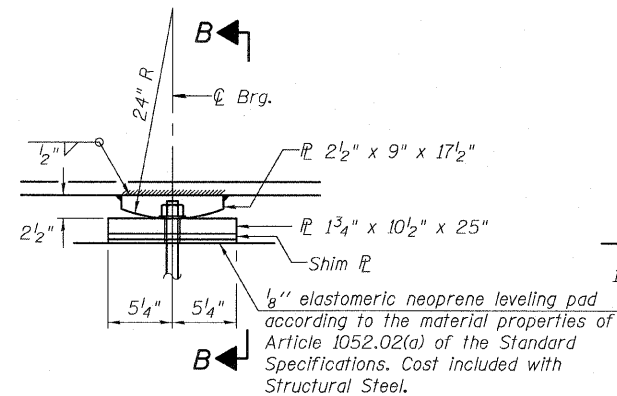
BEARING ASSEMBLY

Note:
Shim plates shall not be placed under Bearing Assembly.



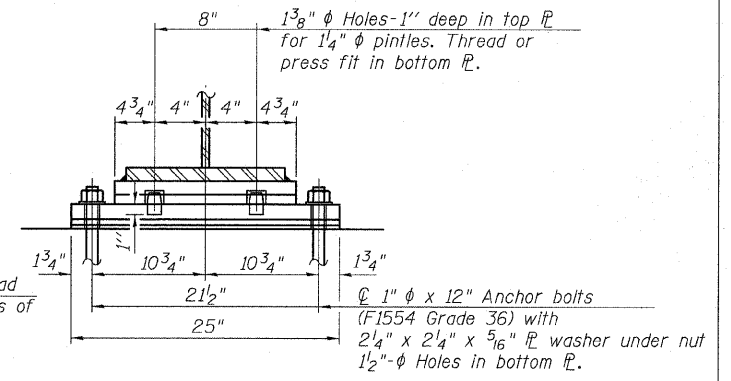
SIDE RETAINER

Equivalent rolled angle with stiffeners will be allowed in lieu of welded plates.

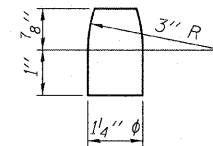


ELEVATION AT PIER

FIXED BEARING
AT PIER 2



SECTION B-B



PINTLE

Notes for bearing this sheet:

Anchor bolts shall be ASTM F1554 all-thread (or an Engineer-approved alternate material) of the grade(s) and diameter(s) specified. ASTM A307 Grade C anchor bolts may be used in lieu of ASTM F1554 Grade 36 (Fy=36ksi). The corresponding specified grade of AASHTO M314 anchor bolts may be used in lieu of ASTM F1554.

Anchor bolts at fixed bearings may be either cast in place or installed in holes drilled after the supported member is in place.

Anchor bolts for side retainers may be cast in place or installed in holes drilled before or after members are in place.

Drilled and set anchor bolts shall be installed according to Article 521.06 of the Standard Specifications.

Side retainers and other steel members required for the bearing assembly shall be included in the cost of Elastomeric Bearing Assembly, Type I.

H.S. Bolts shall be galvanized according to AASHTO M298, Class 50.

The structural steel plates of the bearing assemblies shall conform to the requirements of AASHTO M270 Grade 50.

Two 1/8" adjusting shims shall be provided for each bearing in addition to all other plates or shims and placed as shown on bearing details.

BILL OF MATERIAL

Item	Unit	Total
Elastomeric Bearing Assembly Type I	Each	31
Anchor Bolts, 1"	Each	124

BEARINGS-PIERS
STRUCTURE NO. 016-1251

TYLIN INTERNATIONAL	DESIGNED - JMA	REVISIONS		SHEET NO. 42	F.A.I RTE.	SECTION	COUNTY	TOTAL SHEETS	SHEET NO.									
	CHECKED - SP,	NAME	DATE							68 SHEETS	57	1414.2B	COOK	516	287			
	DRAWN - JMA															CONTRACT NO. 60J27		
	CHECKED - SP,PDF															FED. ROAD DIST. NO. 1 ILLINOIS FED. AID PROJECT		
	DATE - 03/18/10																	

I-2E-1 11-1-09

P:\602540\57-294\STRUCTURAL\1-57 OVER 1294\0161251-60J27-042-BRG-PIER.dgn

3/17/2010