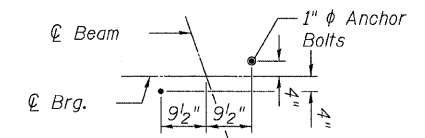
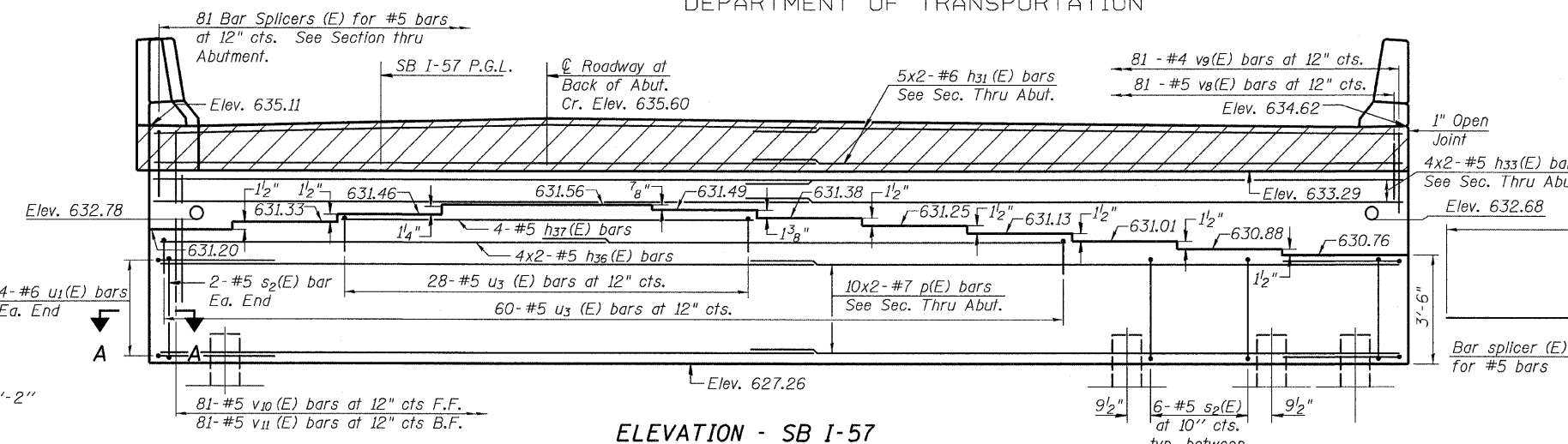
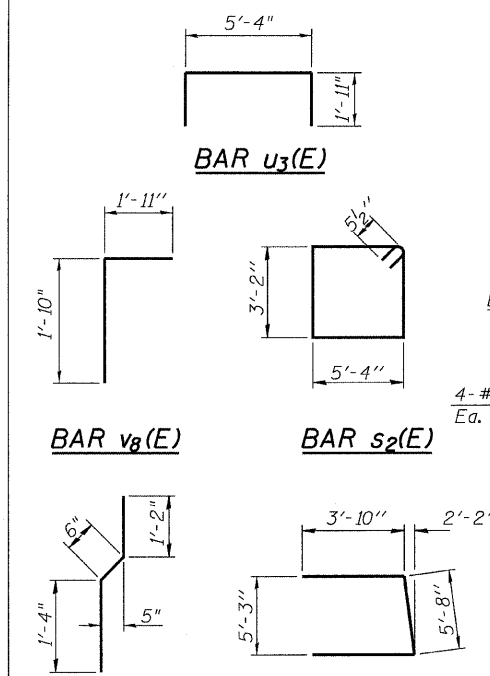


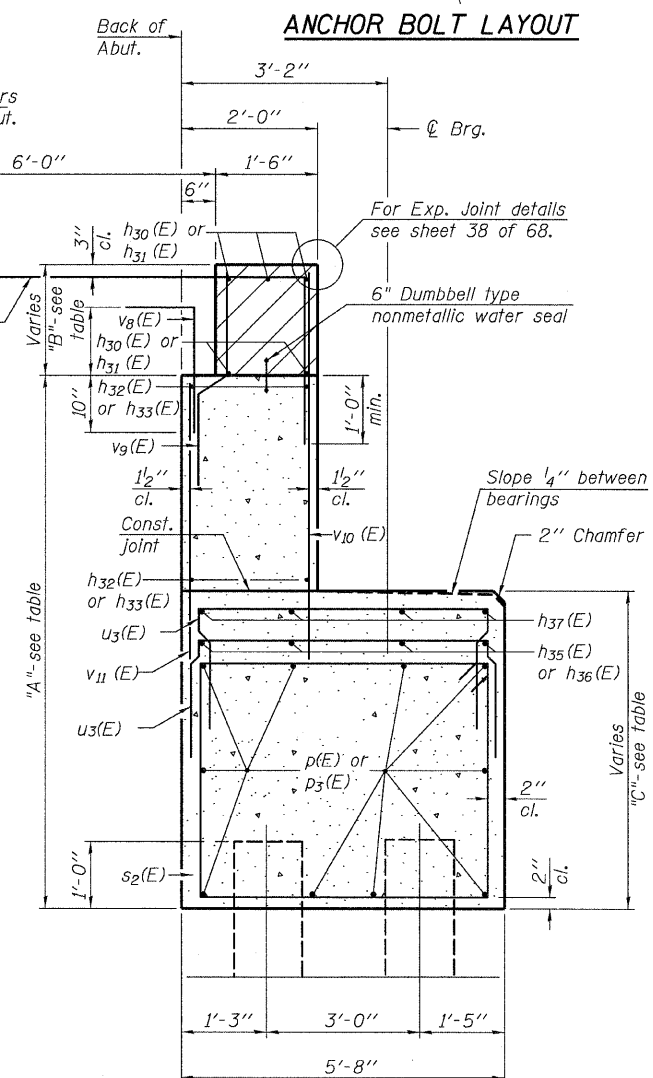
STATE OF ILLINOIS  
DEPARTMENT OF TRANSPORTATION



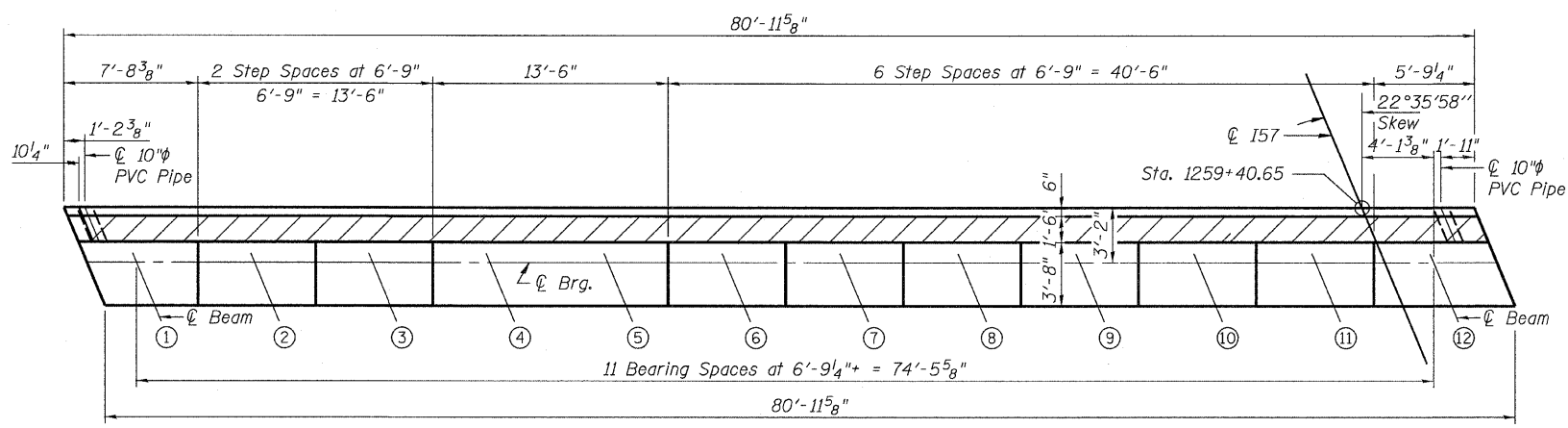
ANCHOR BOLT LAYOUT



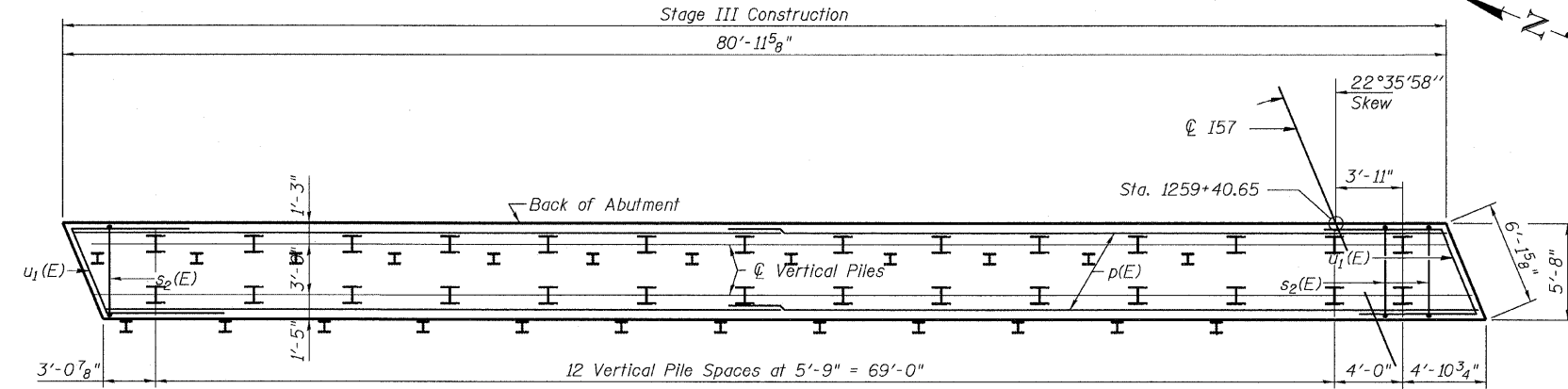
ELEVATION - SB I-57



SEC. THRU ABUT.



TOP VIEW



PLAN-PILE CAP

ABUTMENT  
BILL OF MATERIAL

Bar	No.	Size	Length	Shape
h30(E)	5	#6	44'-7"	
h31(E)	20	#6	42'-8"	
h32(E)	4	#5	45'-5"	
h33(E)	16	#5	42'-4"	
h35(E)	4	#5	40'-2"	
h36(E)	8	#5	31'-4"	
h37(E)	4	#5	26'-8"	
p(E)	40	#7	43'-4"	
p3(E)	10	#7	45'-5"	
s2(E)	216	#5	17'-11"	
u1(E)	24	#6	13'-4"	
u3(E)	129	#5	9'-2"	
v8(E)	208	#5	3'-9"	
v9(E)	208	#4	3'-0"	
v10(E)	208	#4	6'-3"	
v11(E)	208	#4	4'-0"	
Structure Excavation	Cu. Yd.		5,182	
Concrete Structures	Cu. Yd.		215.6	
Reinforcement Bars, Epoxy Coated	Pound		15,930	
Furnishing Steel Piles, HP 12x53	Foot		3,358	
Driving Piles	Foot		3,358	
Test Pile, Steel HP 12x53	Each		1	

PILE DATA

Type: HP 12x53 with Pile Shoes  
Nominal Required Bearing: 295 kips  
Factored Resistance Available: 162 kips  
Est. Length: 46 feet  
No. Production Piles: 73  
No. Test Piles: 1

Piles shall be driven through 18" diameter precored holes extending to Elevation 600 according to Article 512.09(c) of the Standard Specifications. Cost included with Driving Piles.

Location	A	B	C
C-D Road A	6'-8"	1'-4" to 1'-8 3/4"	4'-0 5/8" to 4'-4 1/4"
NB I-57	6'-3 1/2"	1'-4" to 2'-0 3/4"	3'-7 8/8" to 4'-3 1/2"
SB I-57	6'-0 5/8"	1'-4" to 2'-3 3/4"	3'-6" to 4'-3 5/8"

Notes:  
Hatched area to be poured after superstructure false work has been removed. Quantity of concrete included with Concrete Superstructure. Space reinforcement in cap to miss anchor bolts. Pour steps monolithically with cap. For details of piles, see sheet 55 of 68. For details of Bar Splicers, see sheet 56 of 68. For section A-A, see sheet 44 of 68. Piles shall be driven prior to placement of the reinforced select fill and coated with bitumen from the bottom of the select fill to 1" above the base of the abutment. The cost of the bitumen coating shall be included with the cost of the Furnishing Piles.

EAST ABUTMENT - 2 AND DETAILS  
STRUCTURE NO. 016-1251

TYLIN INTERNATIONAL	DESIGNED - EKH	REVISIONS		SHEET NO. 47	F.A.I. RTE.	SECTION	COUNTY	TOTAL SHEETS	SHEET NO.
	CHECKED - SP.	NAME	DATE		57	1414.2B	COOK	516	292
	DRAWN - EKH				68 SHEETS	CONTRACT NO. 60J27			
	CHECKED - SP,PDF				FED. ROAD DIST. NO. 1 ILLINOIS FED. AID PROJECT				
	DATE - 03/18/10		04/29/10						

P:\60254057-294\STRUCTURAL\I-57 OVER 1294\0161251-60J27-047-E-ABUT2.dgn 4/28/2010 2:44:35 PM