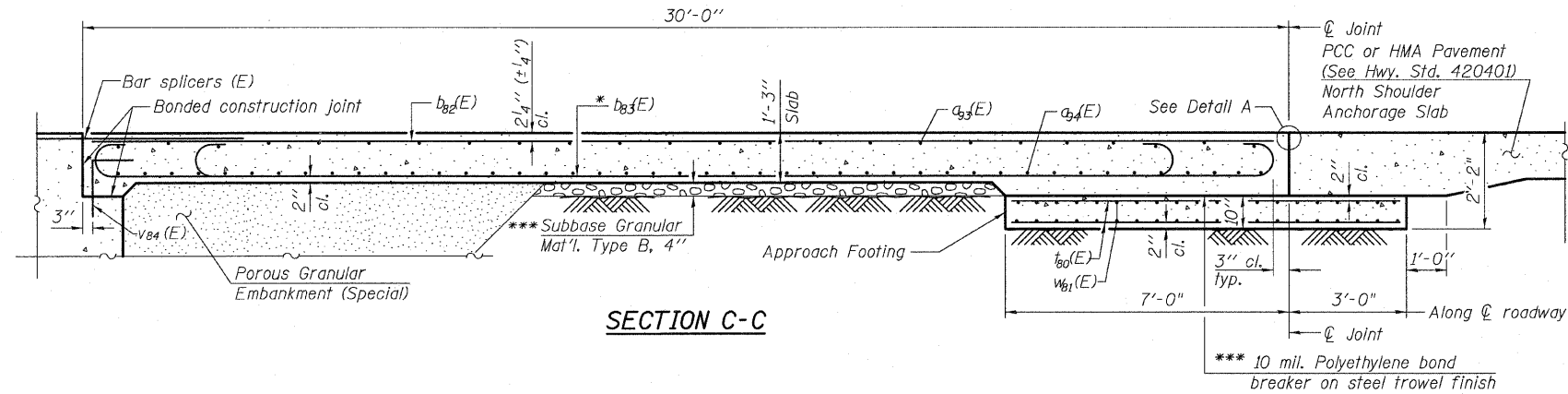


STATE OF ILLINOIS  
DEPARTMENT OF TRANSPORTATION

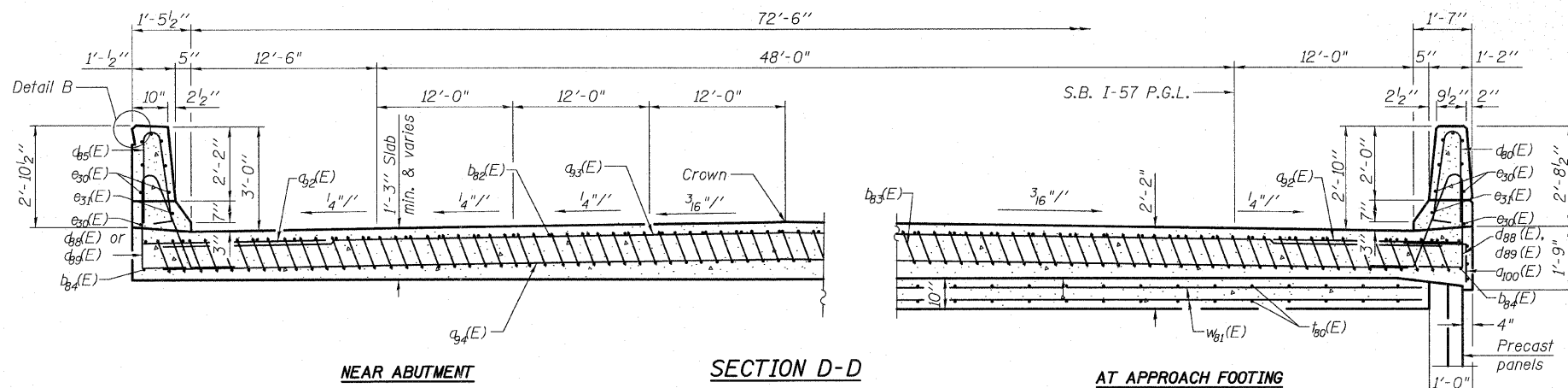


SECTION C-C

Notes:

See sheet 26 of 62 for Detail A.  
Approach slab and parapet concrete shall be paid for as Concrete Superstructure.  
Approach footing concrete shall be paid for as Concrete Structures.  
Reinforcement shall be paid for as Reinforcement Bars, Epoxy Coated.  
For  $v_{84}(E)$  bar details, see sheet 46 of 62.  
The approach footing maximum applied service bearing pressure ( $Q_{max}$ ) = 2.0 ksf.  
For bar splicer details, see sheet 55 of 62.  
Cost of excavation for approach footing included with Concrete Structures.

The quantity for Bridge Deck Grooving & Protective Coat for approach slab is included with the quantities on sheet 2 of 62.



NEAR ABUTMENT

SECTION D-D

(See Plan for dimensions not shown)

AT APPROACH FOOTING

