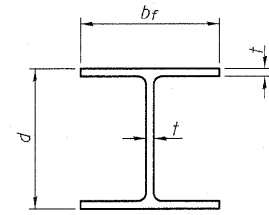
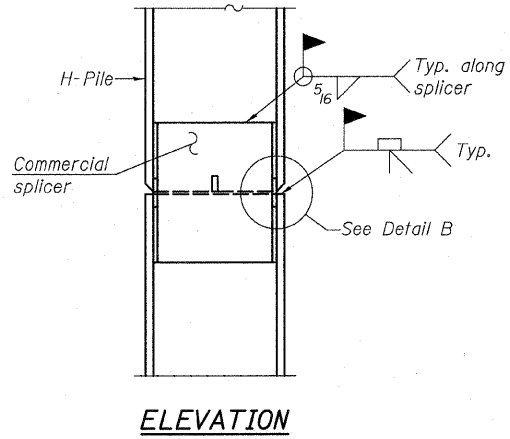


STATE OF ILLINOIS
DEPARTMENT OF TRANSPORTATION

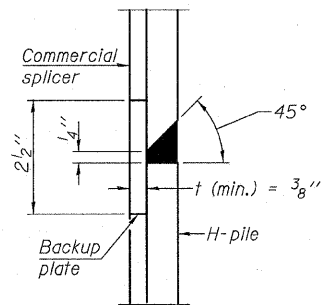


STEEL PILE TABLE

Designation	Depth d	Flange width bf	Web and Flange thickness t	Encasement diameter A
HP 14x117	14 1/4"	14 7/8"	1 3/16"	30"
x102	14"	14 3/4"	1 1/16"	30"
x89	13 7/8"	14 3/4"	5/8"	30"
x73	13 5/8"	14 5/8"	1/2"	30"
HP 12x84	12 1/4"	12 1/4"	1 1/16"	24"
x74	12 1/8"	12 1/4"	5/8"	24"
x63	12"	12 1/8"	1/2"	24"
x53	11 3/4"	12"	7/16"	24"
HP 10x57	10"	10 1/4"	9/16"	24"
x42	9 3/4"	10 1/8"	7/16"	24"
HP 8x36	8"	8 1/8"	7/16"	18"

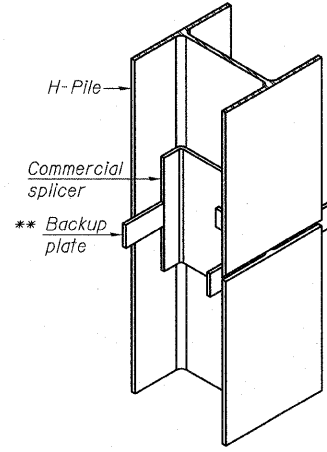


ELEVATION

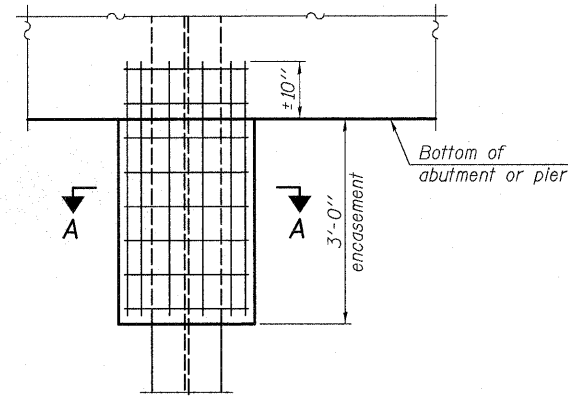


DETAIL "B"

WELDED COMMERCIAL SPLICE

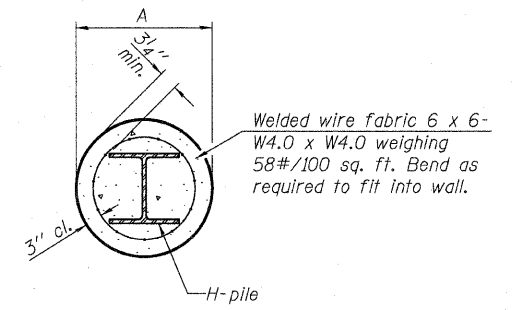


ISOMETRIC VIEW



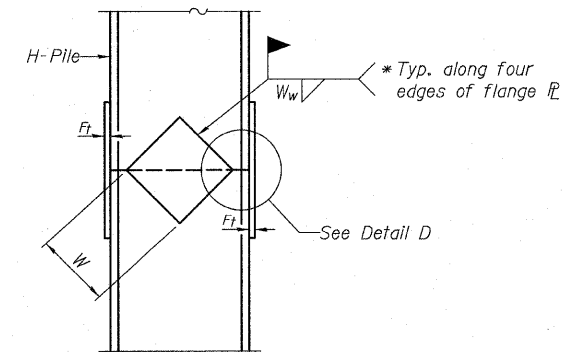
ELEVATION

PILE ENCASEMENT

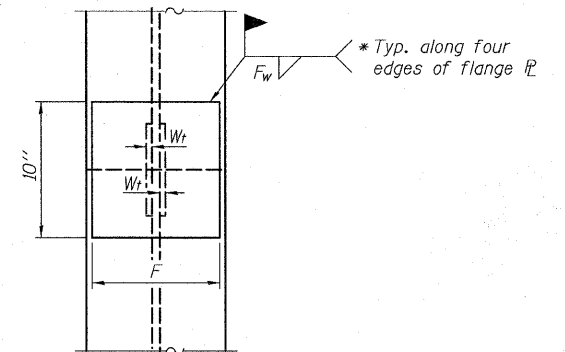


Note:
Forms for encasement may be omitted when soil conditions permit.

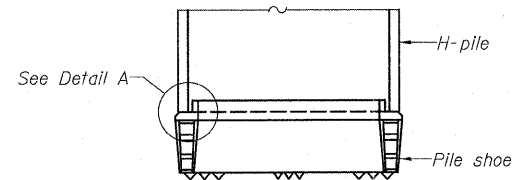
SECTION A-A



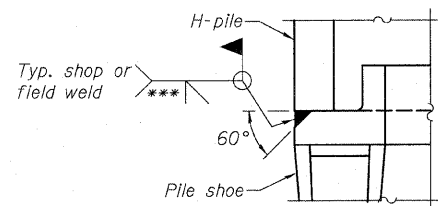
ELEVATION



END VIEW

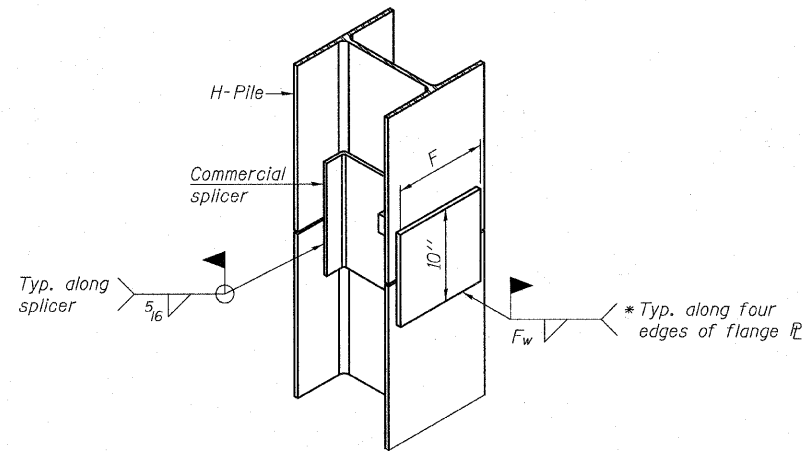


ELEVATION



DETAIL A

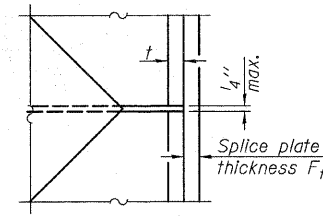
H-PILE SHOE ATTACHMENT



ISOMETRIC VIEW

WELDED COMMERCIAL SPLICE ALTERNATE

- * Interrupt welds 1/4" from end of web and/or each flange.
- ** Remove portions of backup plates that extend outside the flanges.
- *** Weld size per pile shoe manufacturer (5/16" min.).



DETAIL D

WELDED PLATE FIELD SPLICE

Designation	F	Ft	Fw	W	Wt	Ww
HP 14x117	12 1/2"	1"	7/8"	7 3/4"	5/8"	1/2"
x102	12 1/2"	7/8"	3/4"	7 3/4"	5/8"	1/2"
x89	12 1/2"	3/4"	1/2"	7 3/4"	5/8"	1/2"
x73	12 1/2"	5/8"	9/16"	7 3/4"	5/8"	1/2"
HP 12x84	10"	7/8"	1/2"	6 1/2"	5/8"	1/2"
x74	10"	7/8"	1/2"	6 1/2"	5/8"	1/2"
x63	10"	5/8"	1/2"	6 1/2"	1/2"	3/8"
x53	10"	5/8"	1/2"	6 1/2"	1/2"	3/8"
HP 10x57	8"	3/4"	9/16"	5 1/4"	1/2"	3/8"
x42	8"	5/8"	9/16"	5 1/4"	1/2"	3/8"
HP 8x36	7"	5/8"	7/16"	4 1/4"	1/2"	3/8"

**HP PILE DETAILS
STRUCTURE NO.**

Note:
The steel H-piles shall be according to AASHTO M270 Grade 50.

F-HP

11-1-09

TYLIN INTERNATIONAL

DESIGNED -	DY	REVISIONS	
CHECKED -	AD,LS	NAME	DATE
DRAWN -	DY,EI		
CHECKED -	LS,SP,PDF		
DATE -	03/18/10		

SHEET NO. 56	F.A.I. RTE.	SECTION	COUNTY	TOTAL SHEETS	SHEET NO.
	57	1414.2B	COOK	516	369
62 SHEETS	CONTRACT NO. 60J27				
	FED. ROAD DIST. NO. 1 ILLINOIS FED. AID PROJECT				

P:\602540157-2941\STRUCTURAL\1-57_OVER_RAMP_BY\1.inel_submittal_03-17-2010\1.inel_submittal_03-17-2010\Final_submittal_03-17-2010\HP_PILE_DTL.dgn 9:55:04 AM 3/18/2010