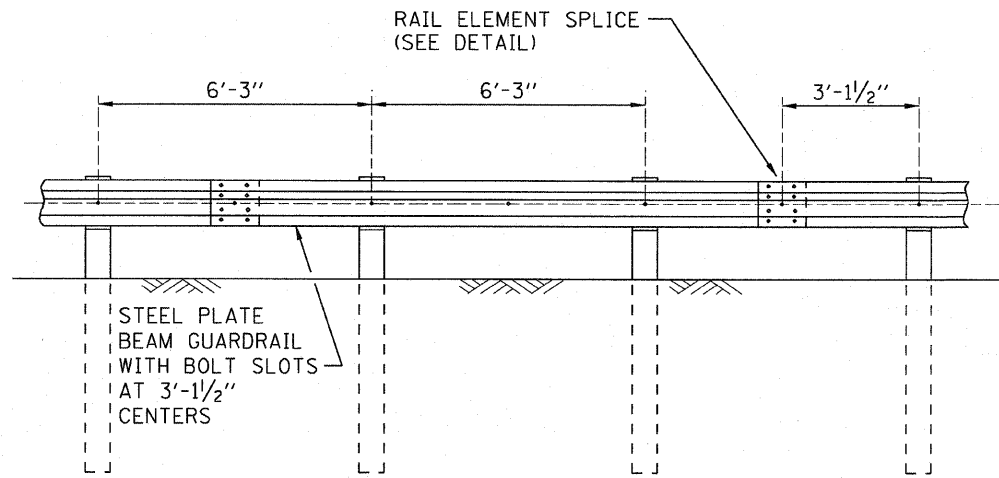


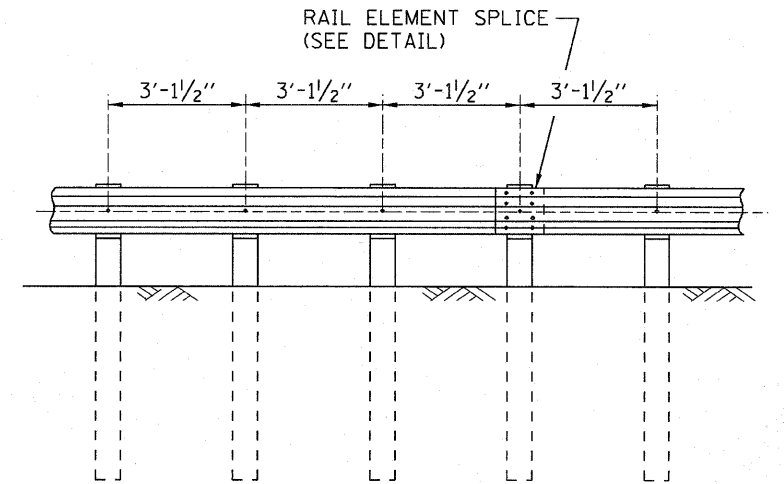
STEEL POST CONSTRUCTION



ELEVATION

TYPE A

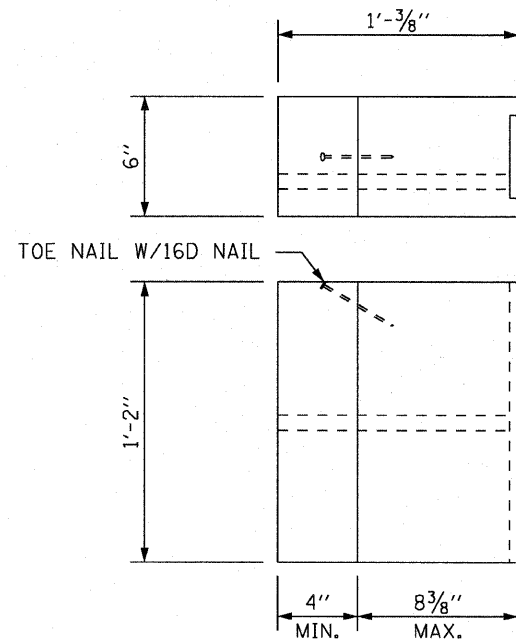
6'-3" TYPICAL POST SPACING



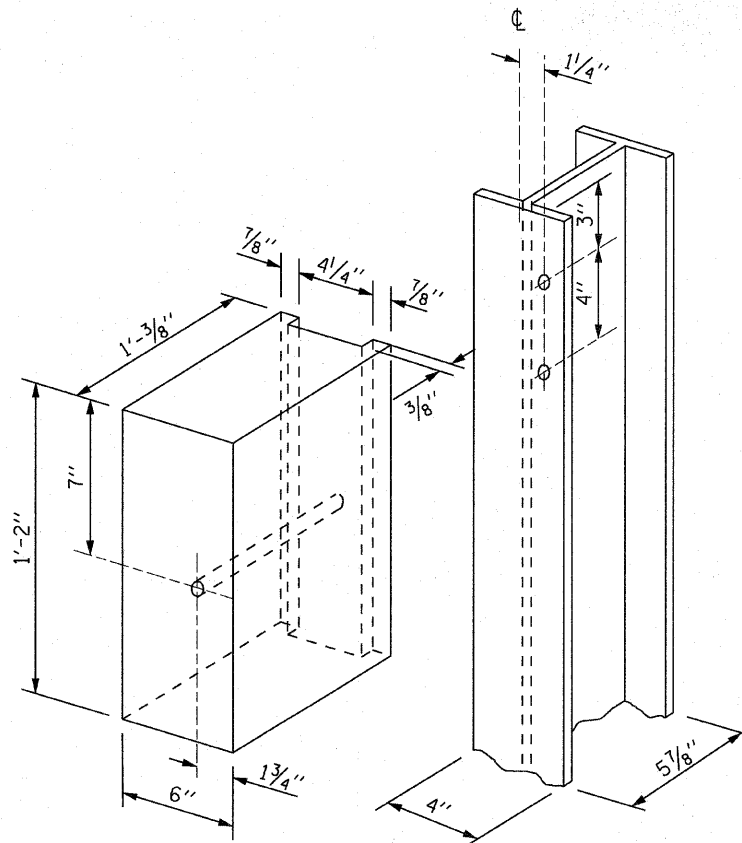
ELEVATION

TYPE B

3'-1/2" CLOSED POST SPACING

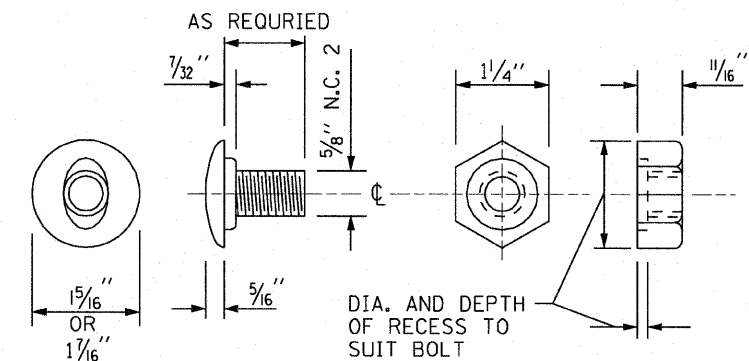


TWO-PIECE WOOD BLOCKOUT OPTION



NOTE: ALL HOLES 3/4" DIA.

WOOD BLOCK-OUT AND STEEL POST DETAILS

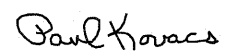


POST OR SPLICE BOLT & NUT



GALVANIZED STEEL PLATE BEAM GUARDRAIL

STANDARD C1-03


 APPROVED..... CHIEF ENGINEER..... DATE 7-1-2009