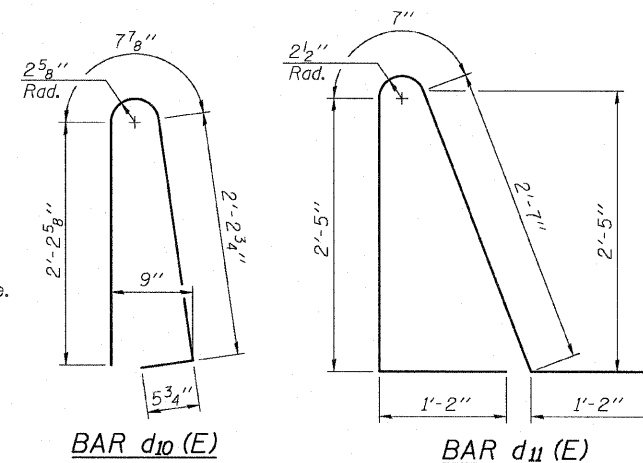
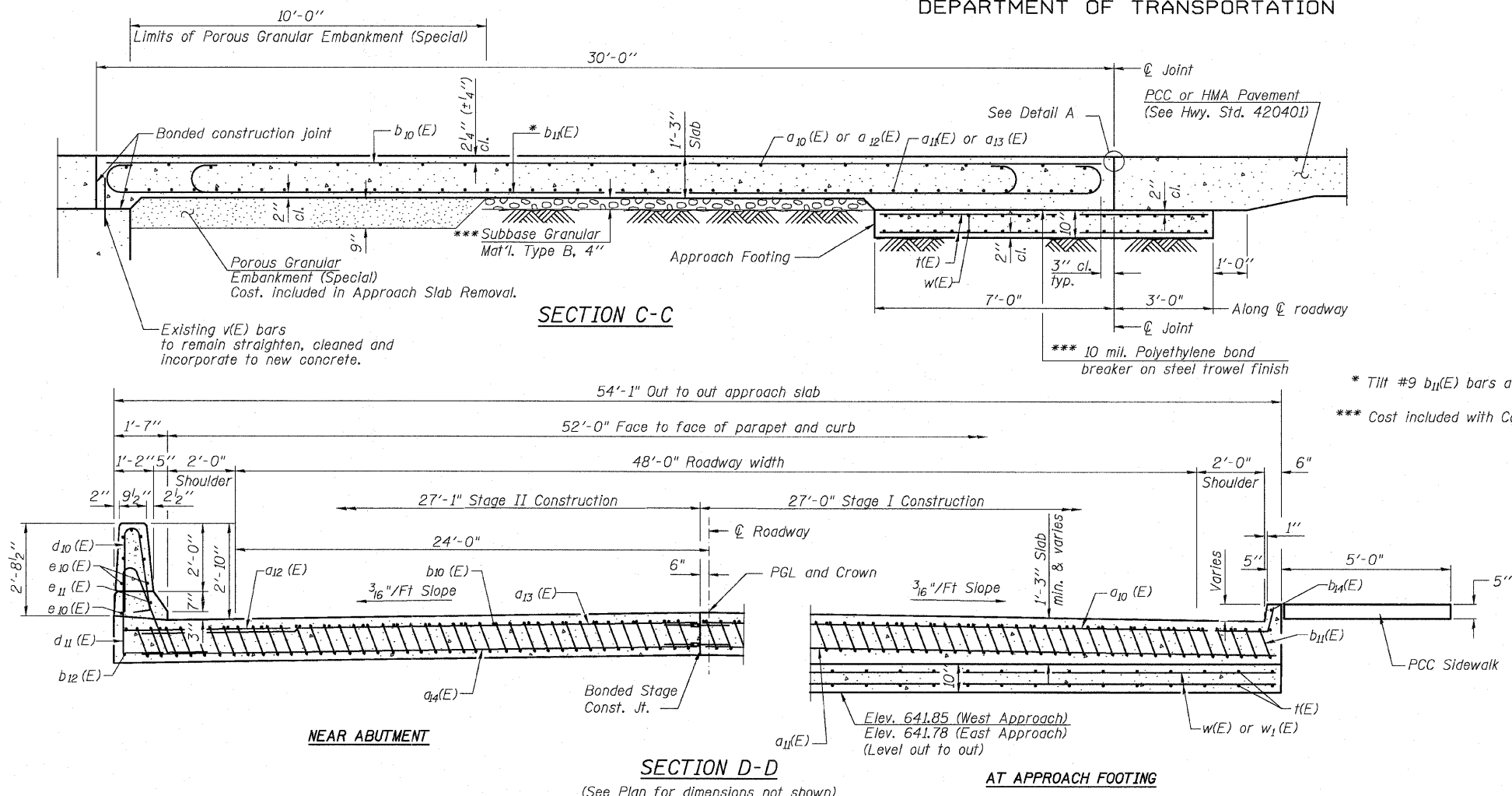


STATE OF ILLINOIS  
DEPARTMENT OF TRANSPORTATION

Notes:

See sheet S11 of S18 for Detail A and View B-B.  
Approach slab and parapet concrete shall be paid for as Concrete Superstructure.  
Approach footing concrete shall be paid for as Concrete Structures.  
Reinforcement shall be paid for as Reinforcement Bars, Epoxy Coated.  
The approach footing maximum applied service bearing pressure ( $Q_{max}$ ) = 2.0 ksf.  
For bar splicer details, see sheet S18 of S18.  
Cost of excavation for approach footing included with Concrete Structures.  
For additional parapet details, see sheet S10 of S18.



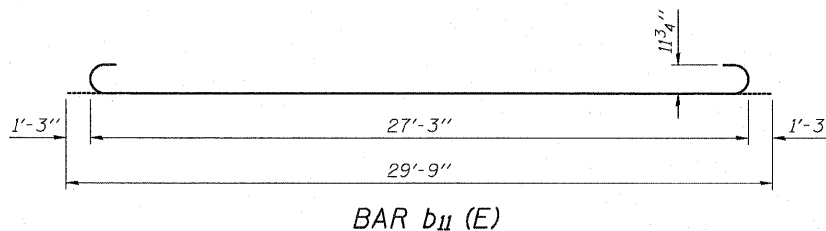
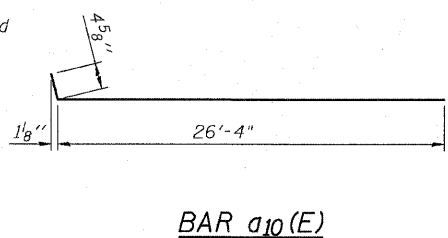
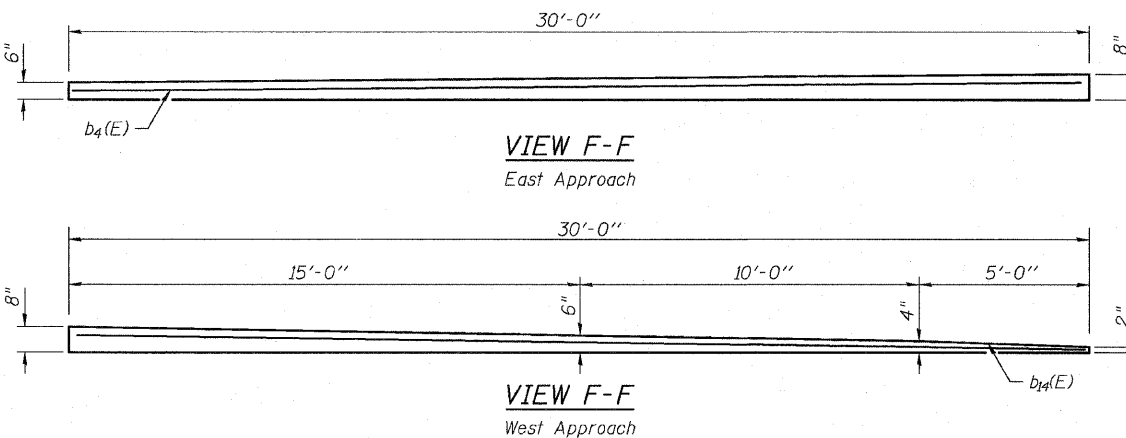
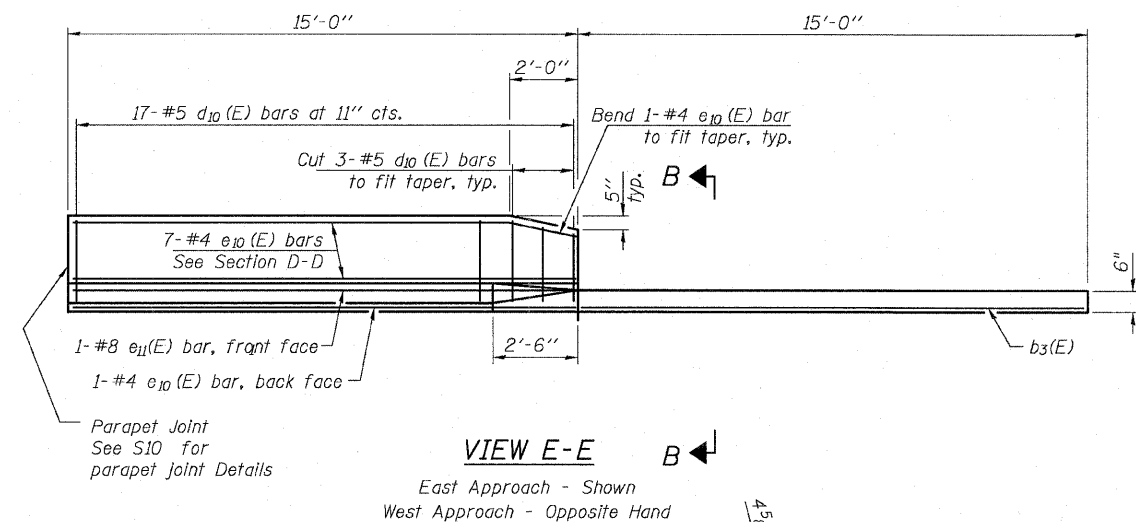
\* Tilt #9 b11(E) bars as required to maintain clearance.  
\*\*\* Cost included with Concrete Superstructure.

TWO APPROACHES  
BILL OF MATERIAL

Bar	No.	Size	Length	Shape
a10(E)	50	#4	26'-9"	—
a11(E)	92	#5	26'-9"	—
a12(E)	12	#6	6'-6"	—
a13(E)	50	#5	25'-9"	—
a14(E)	92	#6	25'-9"	—
b10(E)	86	#4	29'-8"	—
b11(E)	252	#9	29'-9"	—
b12(E)	2	#4	14'-8"	—
b13(E)	2	#4	14'-8"	—
b14(E)	2	#4	29'-8"	—
d10(E)	34	#5	5'-7"	U
d11(E)	34	#5	7'-11"	U
e10(E)	16	#4	14'-8"	—
e11(E)	2	#8	14'-8"	—
f(E)	106	#4	9'-8"	—
w(E)	80	#5	26'-9"	—
w1(E)	80	#5	25'-9"	—
Concrete Superstructure		Cu. Yd.	161	
Concrete Structures		Cu. Yd.	33	
Reinforcement Bars, Epoxy Coated		Pound	41,540**	
Protective Coat		Sq. Yd.	363	
Bar Splicer		Each	222	
PCC Sidewalk, 5"		Sq. Ft.	150	
Combination Curb & Gutter Removal		Foot	120	

\*\* Includes Approach Slab, parapet and footing reinforcement.

BRIDGE APPROACH SLAB DETAILS  
STRUCTURE NO. 016-2503



DESIGNED	JPM
CHECKED	TG
DRAWN	MPS
CHECKED	JPM, TG



SHEET NO. S12	F.A.P. RTE.	SECTION	COUNTY	TOTAL SHEETS	SHEET NO.
S18 SHEETS	353	11-5-B	COOK	39	24
			CONTRACT NO. 60J44		
ILLINOIS FED. AID PROJECT					