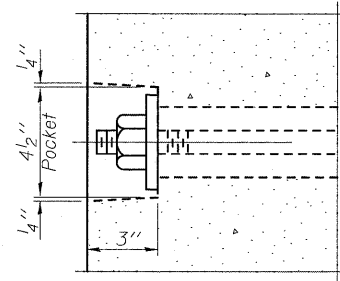


FABRIC BEARING PAD  
(Interior)

FABRIC BEARING PAD  
(Exterior)

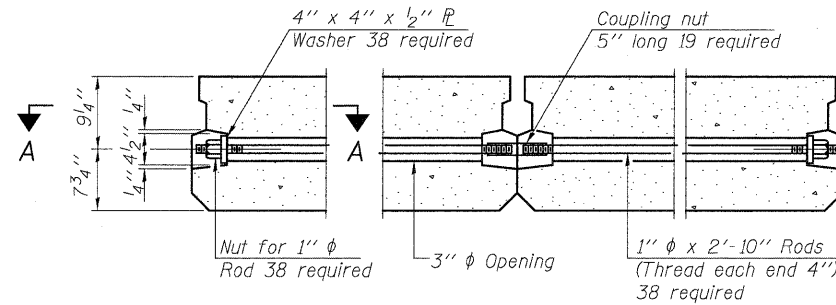
FIXED

Notes:  
All bearing pads shall be 1" thick.

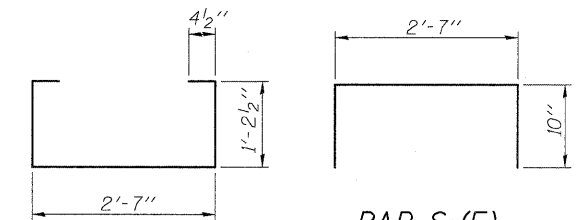


SECTION A-A

STATE OF ILLINOIS  
DEPARTMENT OF TRANSPORTATION

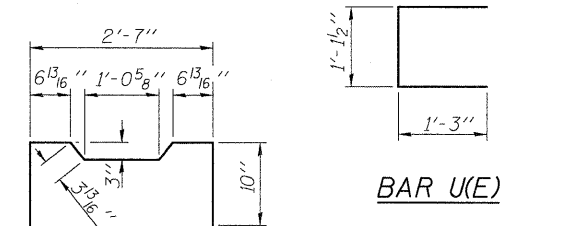


TYPICAL TRANSVERSE TIE ASSEMBLY



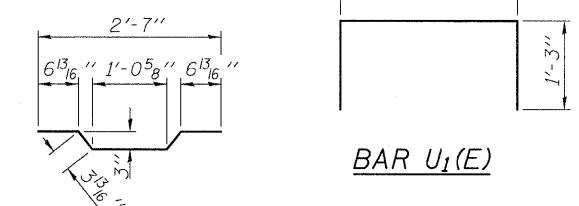
BAR S<sub>1</sub>(E)

BAR S(E)



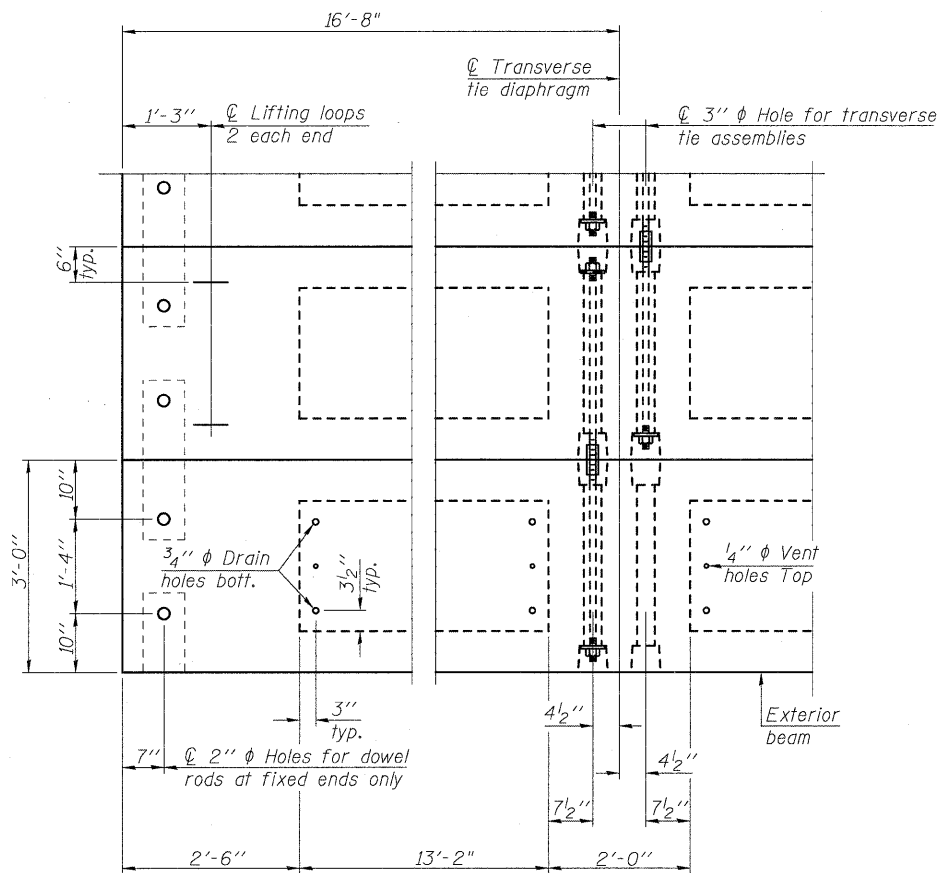
BAR U(E)

BAR S<sub>2</sub>(E)



BAR U<sub>1</sub>(E)

BAR A<sub>1</sub>(E)

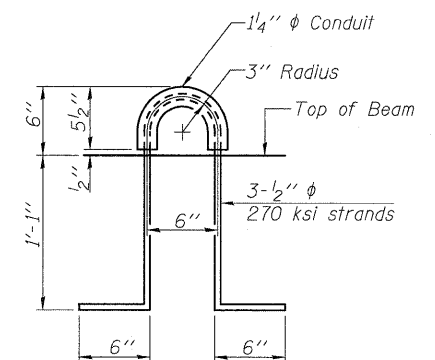


PLAN VIEW

Note: Connect beams in pairs with the transverse tie configuration shown.

NOTES

- Prestressing steel shall be uncoated high strength, low relaxation 7-wire strand, Grade 270. The nominal diameter shall be 1/2" and the nominal cross-sectional area shall be 0.153 sq. in.
- The 1" rods in the transverse tie assembly shall be tightened to a snug fit and the threads set. Pockets on exterior faces of bridge shall be filled with grout after transverse tie assembly is in place.
- Reinforcement bars shall conform to ASTM A 706, Grade 60. (See Special Provisions).
- Two 1/8" fabric adjusting shims of the dimensions of the exterior bearing pad shall be provided for each bearing pad location.
- A minimum 2 1/2" diameter lifting pin shall be used to engage the lifting loops during handling.
- Corrosion Inhibitor, per Article 1020.05(b)(12) and 1021.06 of the Standard Specifications, shall be used in the concrete for precast prestressed concrete deck beams.
- Compressive strength of prestressed concrete, f'c, shall be 6000 psi.
- Compressive strength of prestressed concrete at release, f'ci, shall be 5000 psi.



LIFTING LOOP DETAIL

BILL OF MATERIAL

Precast Prestressed Conc. Deck Bms. (17" depth)	Sq. Ft.	2,000
---	---------	-------

17" X 36" PPC DECK BEAM DETAILS  
STRUCTURE NO. 016-2503

DESIGNED	JPM
CHECKED	TG
DRAWN	MPS
CHECKED	JPM, TG



1800 S. WACKER DRIVE, SUITE 7000, CHICAGO, IL 60606 • P.312-686-8910 F.312-686-8415

PD-1736-0D

11-1-09

SHEET NO. S15	F.A.P. RTE.	SECTION	COUNTY	TOTAL SHEETS	SHEET NO.
	353	11-5-B	COOK	39	27
S18 SHEETS		CONTRACT NO. 60J44			
ILLINOIS FED. AID PROJECT					