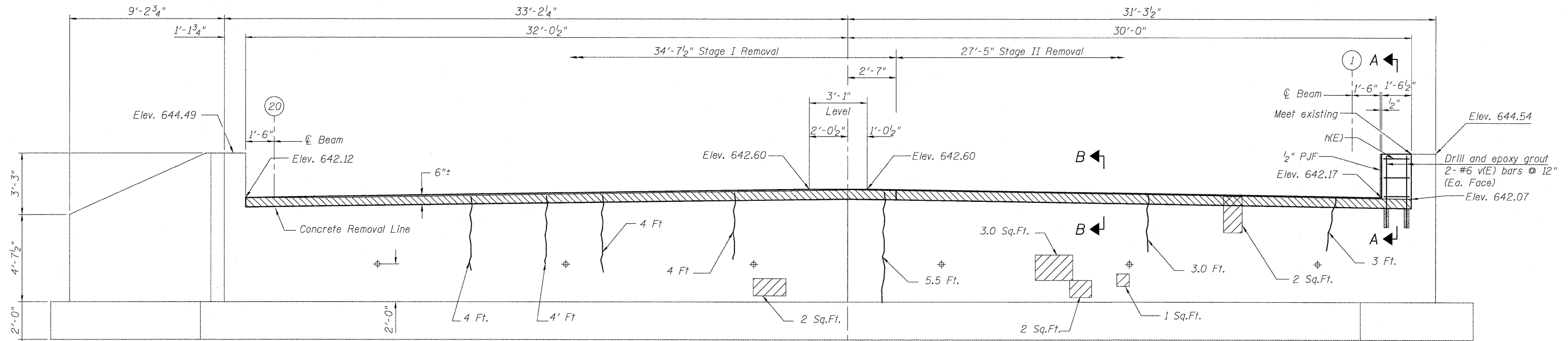
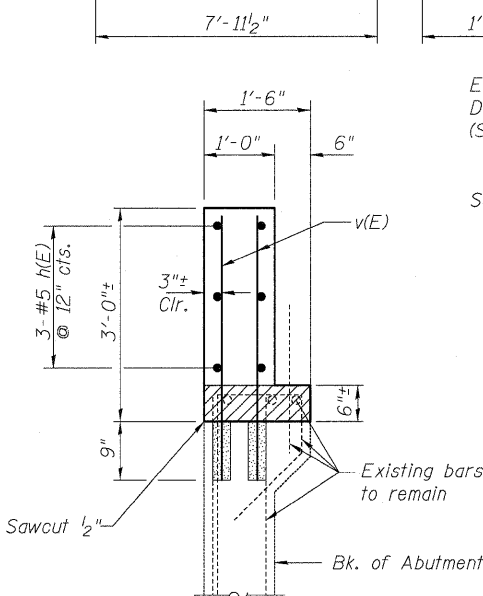


STATE OF ILLINOIS
DEPARTMENT OF TRANSPORTATION

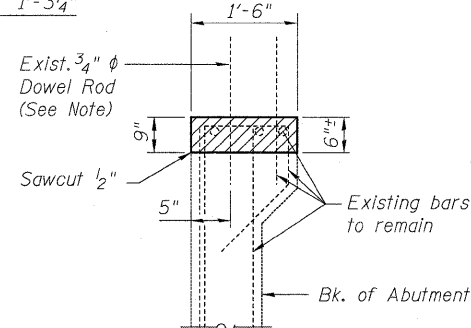


ABUTMENT ELEVATION
Looking West

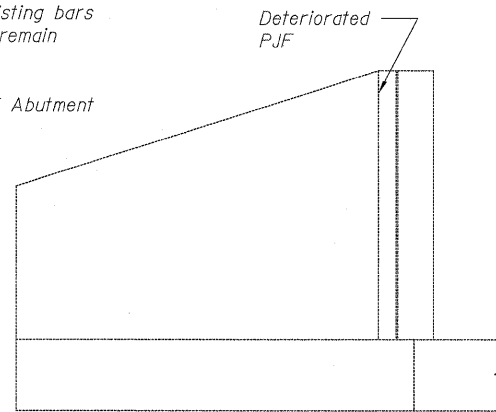
Note:
Burn existing 3/4" φ Dowel Rods flush with concrete removal line at Beam 1 thru 19. Remove the 3/4" φ Dowel Rod at Beam 20, drill 1/2" φ holes and epoxy grout 2-1" φ x 2'-6" Dowel Rods. See Sheet S9 of S18 for other details.



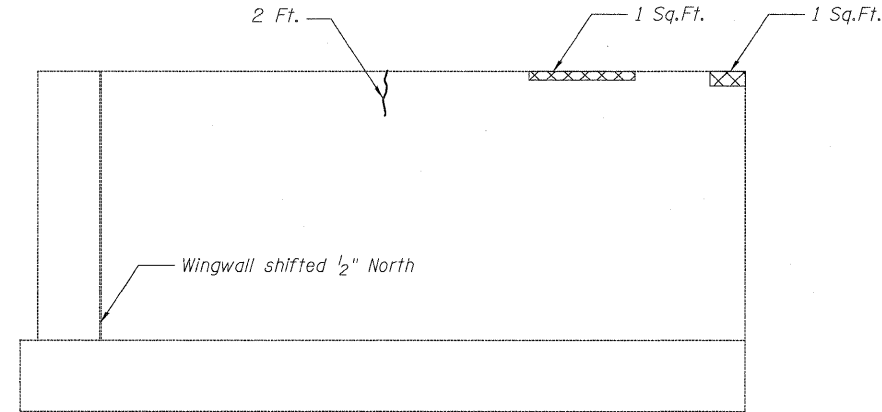
SECTION A-A



SECTION B-B



SOUTHWEST WINGWALL ELEVATION



NORTHWEST WINGWALL ELEVATION

BAR LIST

Bar	No.	Size	Length	Shape
h(E)	6	#5	1'-4"	—
v(E)	4	#6	3'-7"	—

BILL OF MATERIAL

Item	Unit	Quantity
Epoxy Crack Injection	Foot	30
Structural Repair of Concrete (Depth equal to or less than 5 inches)	Sq. Ft.	10
Structural Repair of Concrete (Depth greater than 5 inches)	Sq. Ft.	2
Reinforcement Bars, Epoxy Coated	Pounds	30
Concrete Structures	Cu. Yd.	2
Concrete Removal	Cu. Yd.	2

Note:
Existing bars to remain shall be cleaned, straightened and incorporated into new concrete.

Any reinforcement bars that are damaged during concrete removal operations shall be repaired or replaced using an approved bar splicer or anchorage system. Cost included with "Concrete Removal".

Note:
The quantities shown are for estimating purposes only. Area to be repaired will be determined by the Engineer at the time of Construction. Actual repair locations shall be shown in the as-built plans.

LEGEND:

- Structural Repair of Concrete (Depth equal to or less than 5 inches)
- Structural Repair of Concrete (Depth greater than 5 inches)
- Concrete Removal

**EXISTING WEST ABUTMENT
REPAIR & MODIFICATION DETAILS
STRUCTURE NO. 016-2503**

DESIGNED	JPM
CHECKED	TG
DRAWN	MPS
CHECKED	JPM, TG



SHEET NO. S16	F.A.P. RTE.	SECTION	COUNTY	TOTAL SHEETS	SHEET NO.
	353	11-5-B	COOK	39	28
S18 SHEETS		CONTRACT NO. 60J44			
ILLINOIS FED. AID PROJECT					