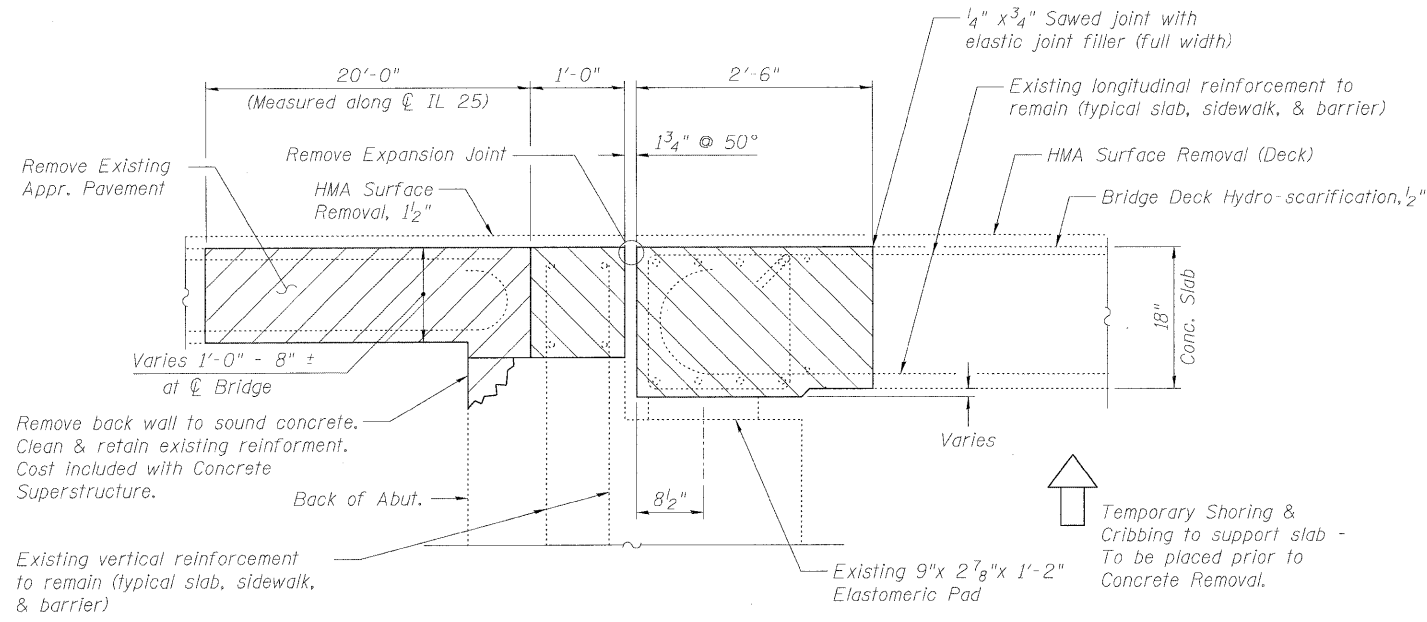
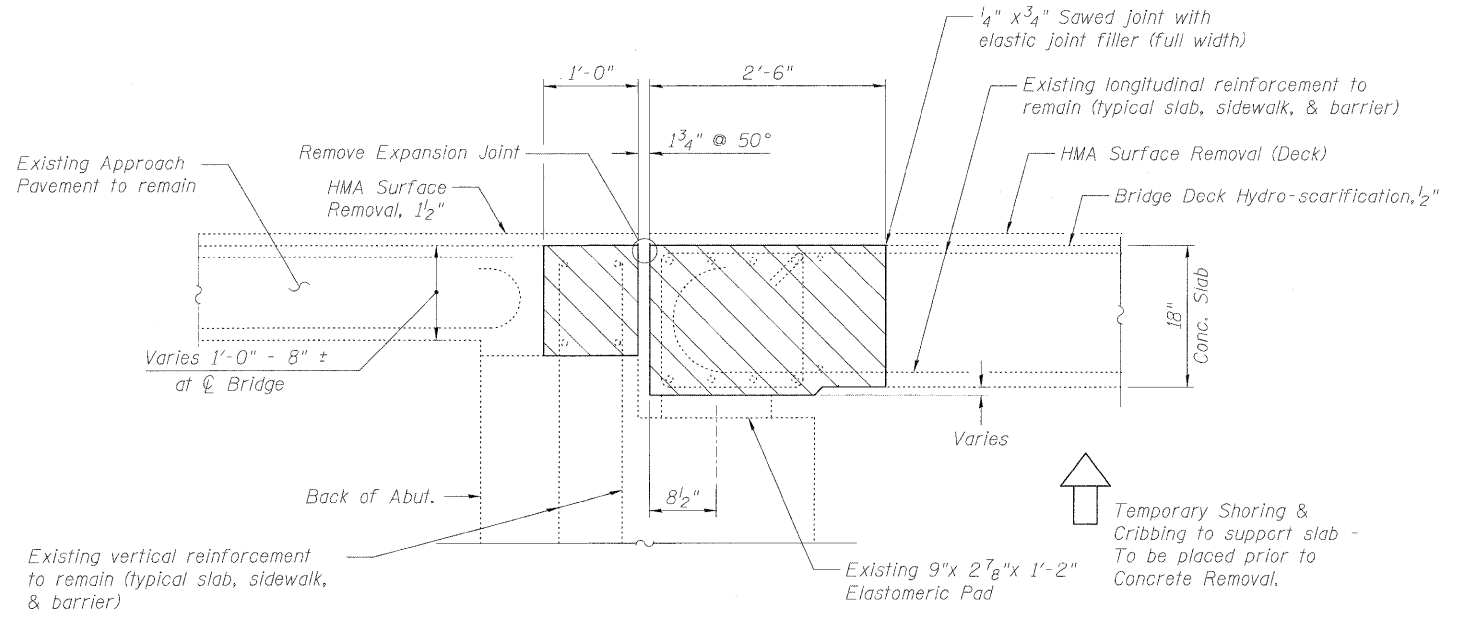


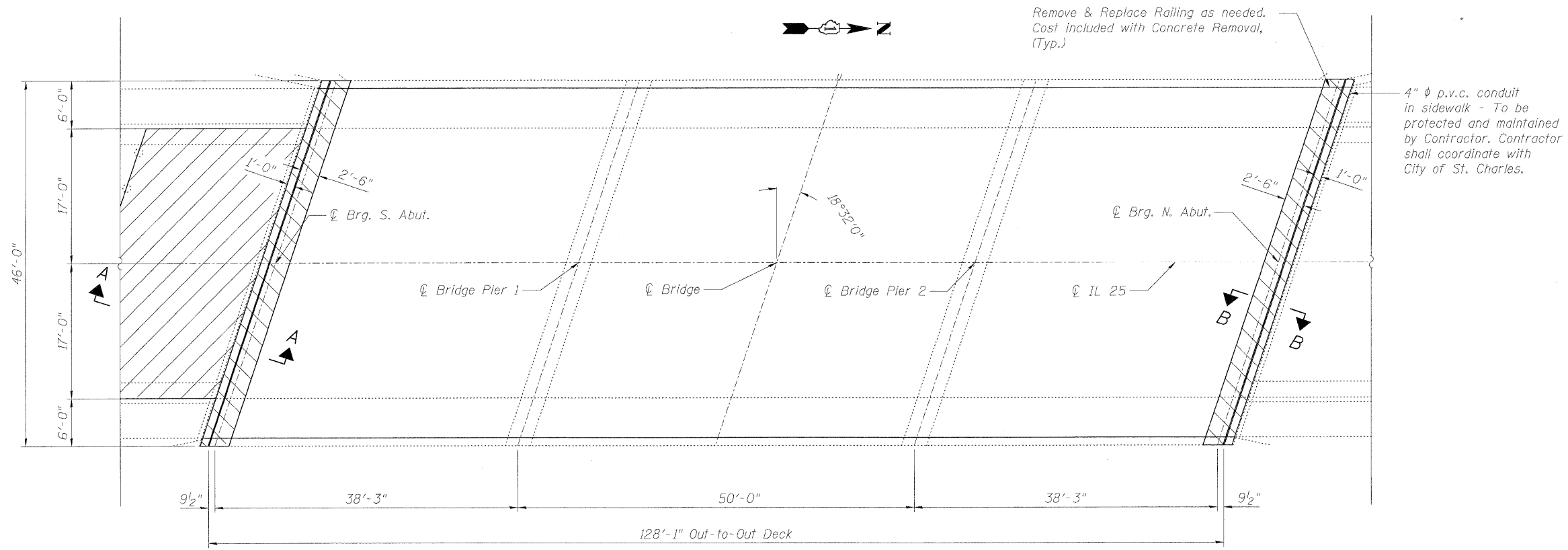
STATE OF ILLINOIS
DEPARTMENT OF TRANSPORTATION



SECTION A-A
South Abutment



SECTION B-B
North Abutment



PLAN

| | |
|----------|-----|
| DESIGNED | BRT |
| CHECKED | BJM |
| DRAWN | JNH |
| CHECKED | BJM |



Wight & Company
2500 North Frontage Road . Darien . IL 60561
630.969.7000 630.969.7979 fax
Design Firm Registration 184-000451

| | | | | | |
|---|-------------|-------------|--------------------|--------------|-----------|
| SHEET NO. 5 13 SHEETS | F.A.U. RTE. | SECTION | COUNTY | TOTAL SHEETS | SHEET NO. |
| | 2503 | 39 EXT-VB-1 | KANE | 27 | 13 |
| | | | CONTRACT NO. 60J48 | | |
| FED. ROAD DIST. NO. - ILLINOIS FED. AID PROJECT | | | | | |

EXPANSION JOINT REMOVAL
STRUCTURE NO. 045-0061

G:\ENG\06-5329-02 D1 Various Structure\CAD\0450061\Sheet\0450061_001_Expansion_Joint_Removal.dgn 4/28/2010 1:50:25 PM Default