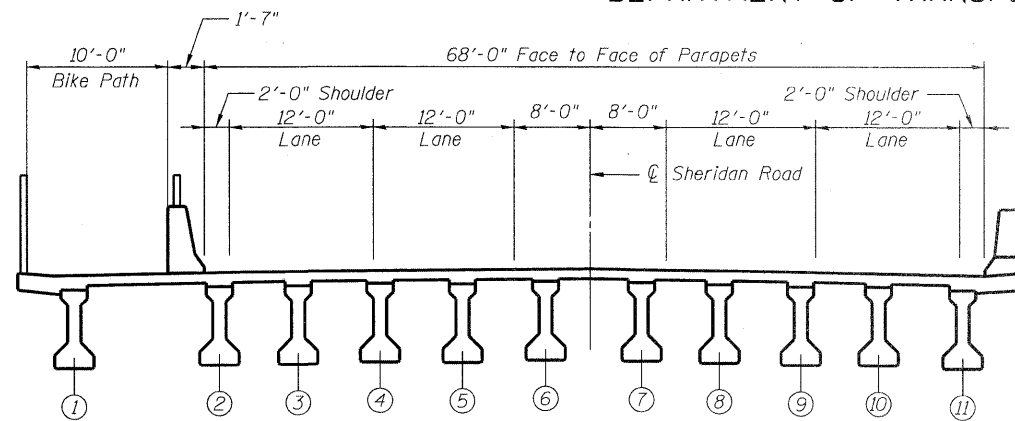
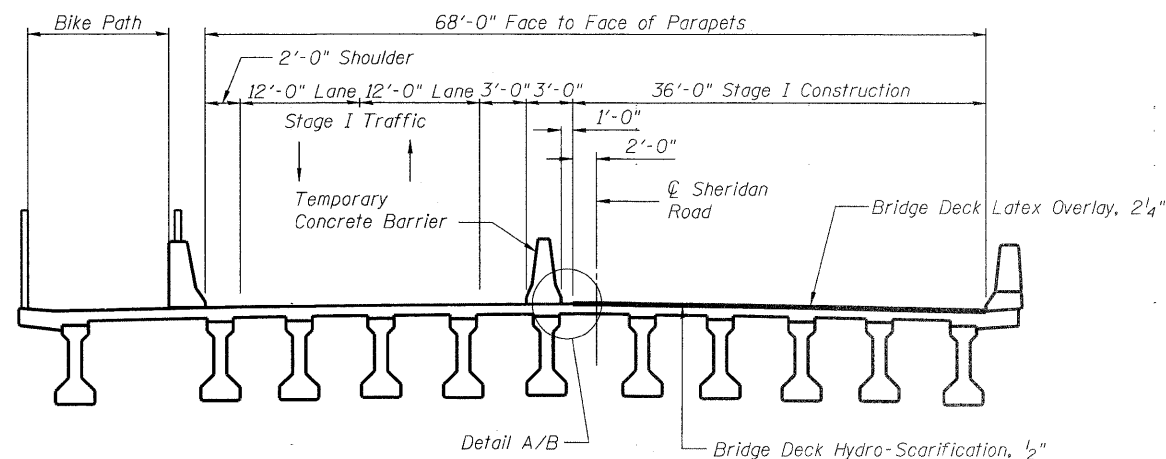


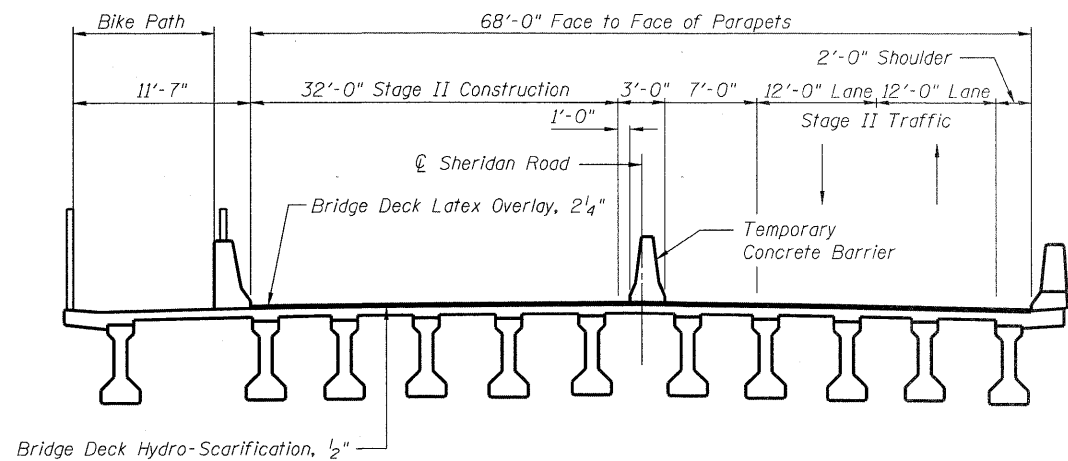
STATE OF ILLINOIS  
DEPARTMENT OF TRANSPORTATION



EXISTING



STAGE I

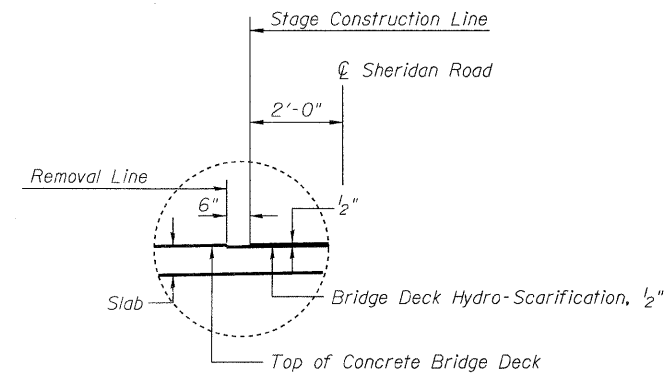


STAGE II

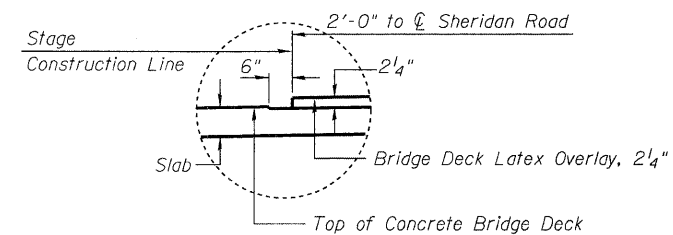
PROPOSED CONSTRUCTION STAGING

NOTE:

Temporary Concrete Barrier is paid for as Roadway Item.  
See Standard T04001-06



DETAIL A (Showing Removal)



DETAIL B (Showing Proposed)

CONSTRUCTION STAGING  
FAU-2744 SHERIDAN RD. OVER BUCKLEY RD.  
SEC. 71 HB-I-1  
LAKE COUNTY  
STATION 120+00.00  
STRUCTURE NO. 049-0161

DESIGNED	TBS
CHECKED	RJL
DRAWN	SCS
CHECKED	TBS

**ABNA**  
9901 S. Western Ave.  
Chicago, IL 60643  
Ph. 773-881-4788  
F: 773.239.3728  
DESIGN FIRM REG. 184.002117

SHEET NO. 2 7 SHEETS	FAU	SECTION	COUNTY	TOTAL SHEETS	SHEET NO.
	2744	71 HB-I-1	LAKE	25	14
FED. ROAD DIST. NO. - ILLINOIS			FED. AID PROJECT		
CONTRACT NO. 60J81					