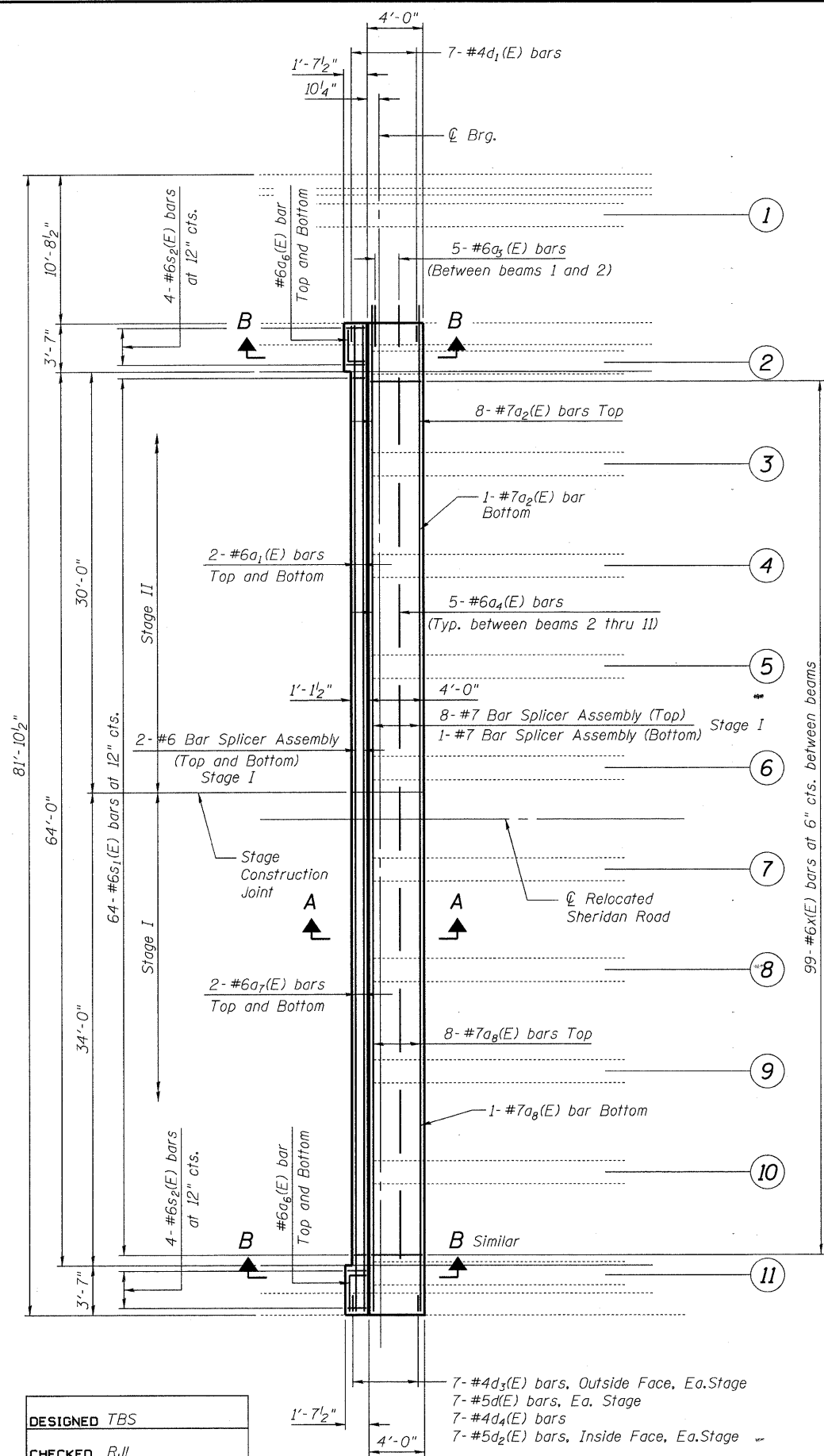
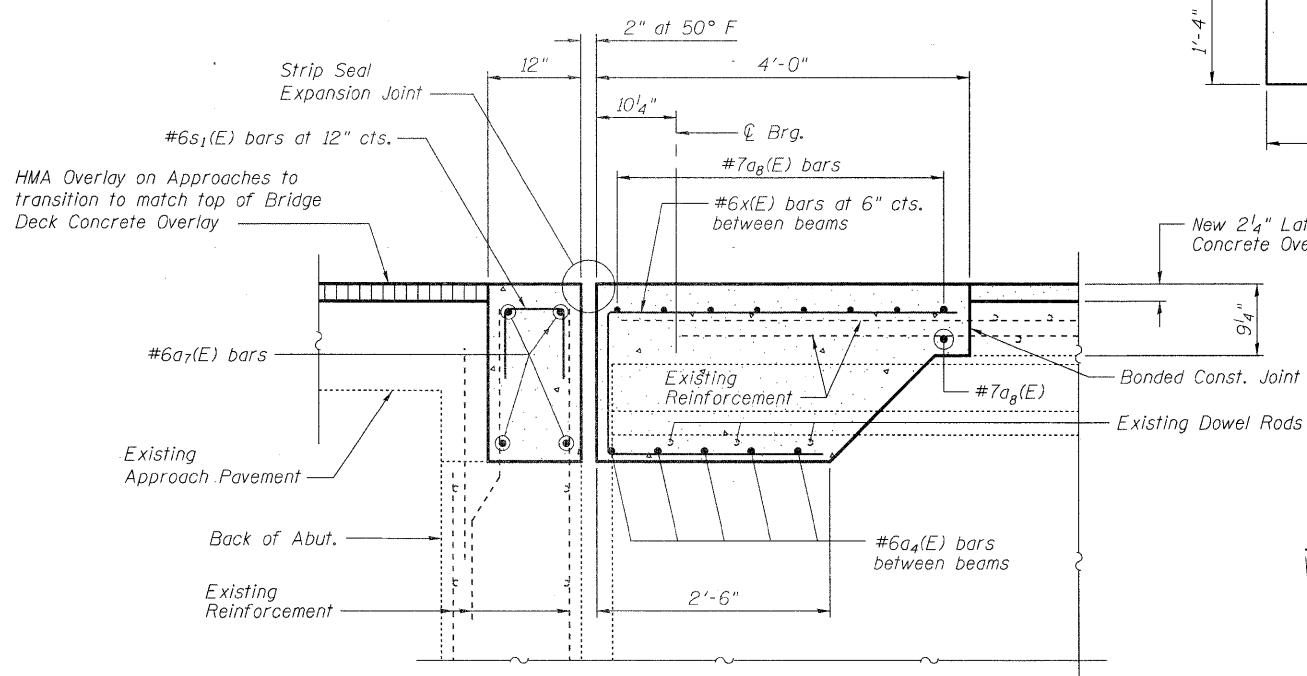


STATE OF ILLINOIS
DEPARTMENT OF TRANSPORTATION

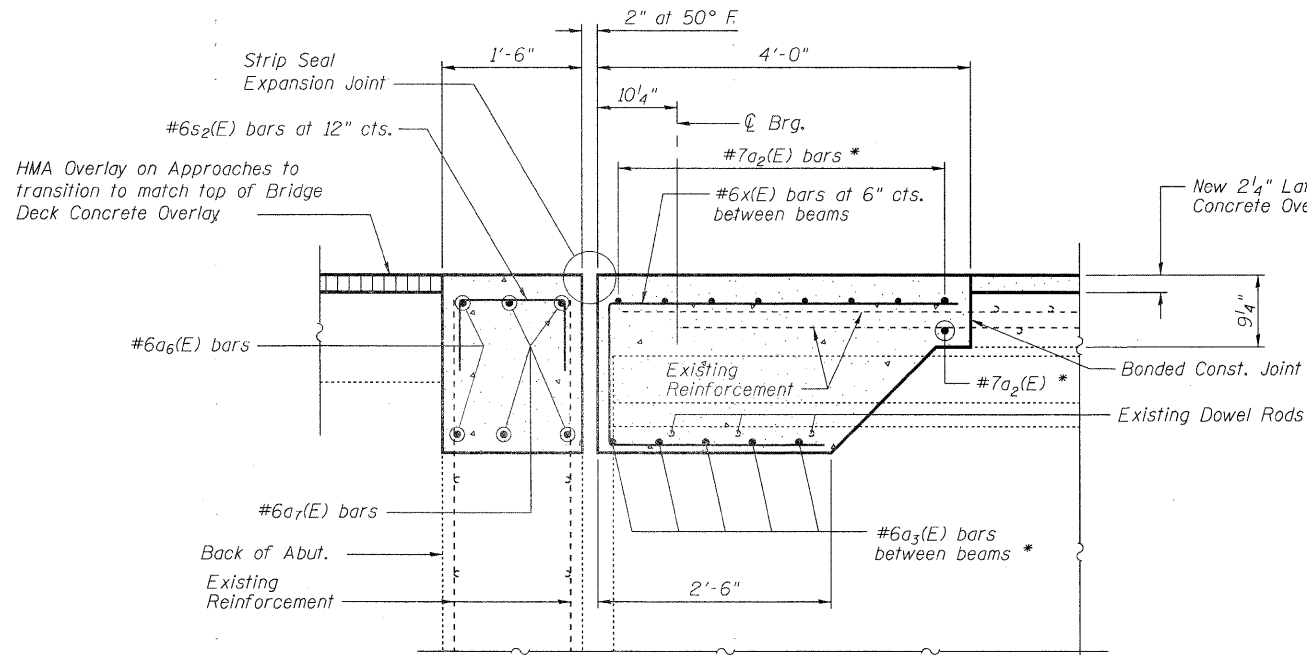


DESIGNED	TBS
CHECKED	RJL
DRAWN	SCS
CHECKED	TBS

EXPANSION JOINT PLAN
(South Abutment shown,
North Abutment similar)



SECTION A-A (Stage I shown, Stage II similar)



SECTION B-B (Stage II shown, Stage I similar)

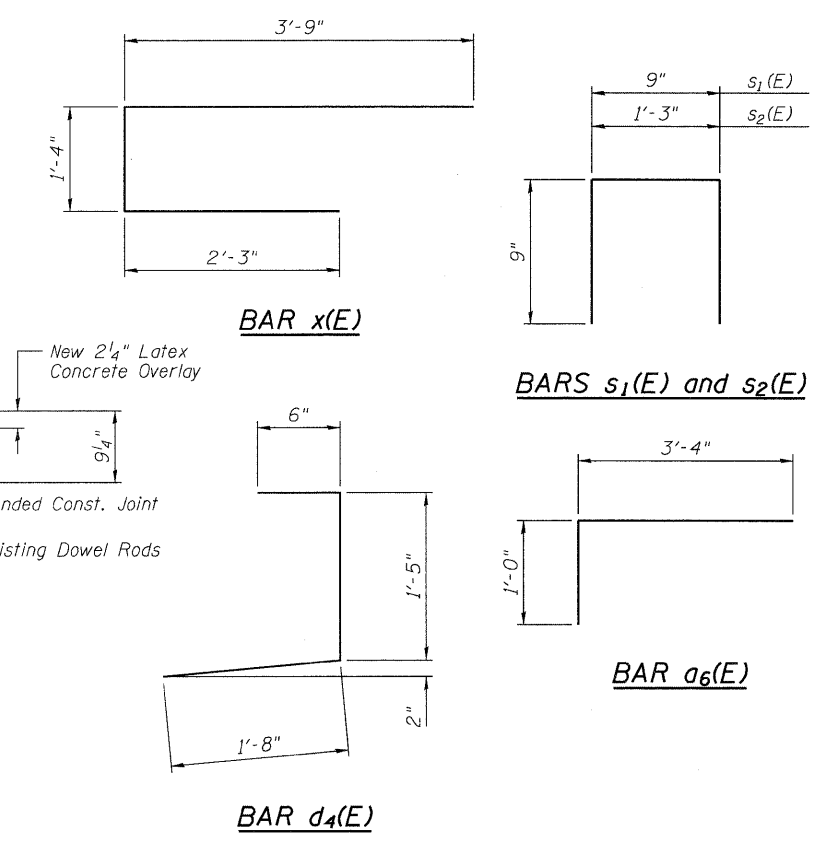
* Epoxy Grout 12" into Existing Thickened Slab at West Parapet

NOTES

For details of Strip Seal Expansion Joints, see Sheet 6.

Existing longitudinal parapet reinforcement shall remain in place.
For placement and bending details of new transverse reinforcement in parapets, see Sheet 3.

See Sheet 7 of 7 for Bar Splicers.



BILL OF MATERIAL

Bar	No.	Size	Length	Shape
a1(E)	8	#6	33'-4"	—
a2(E)	18	#7	34'-5"	—
a3(E)	10	#6	3'-0"	—
a4(E)	90	#6	6'-6"	—
a6(E)	8	#6	4'-4"	—
a7(E)	8	#6	37'-4"	—
a8(E)	18	#7	37'-4"	—
d(E)	28	#5	2'-7"	—
d1(E)	14	#4	3'-7"	—
d2(E)	28	#5	3'-0"	—
d3(E)	28	#4	3'-0"	—
d4(E)	14	#4	3'-7"	—
s1(E)	128	#6	2'-3"	—
s2(E)	16	#6	2'-9"	—
x(E)	198	#6	7'-4"	—
Concrete Removal			Cu. Yd.	20.8
Concrete Superstructure			Cu. Yd.	23.3
Reinforcement Bars, Epoxy Coated			Pound	7430

EXPANSION JOINT REPAIR
FAU-2744 SHERIDAN RD. OVER BUCKLEY RD.
SEC. 71 HB-1-1
LAKE COUNTY
STATION 120+00.00
STRUCTURE NO. 049-0161



SHEET NO. 5 7 SHEETS	FAU	SECTION	COUNTY	TOTAL SHEETS	SHEET NO.
	2744	71 HB-1-1	LAKE	25	17
FED. ROAD DIST. NO. ILLINOIS			FED. AID PROJECT		
				CONTRACT NO. 60J81	