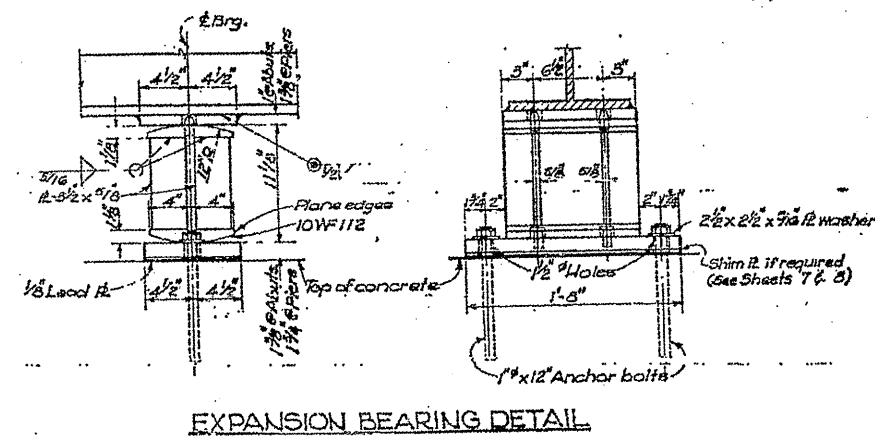
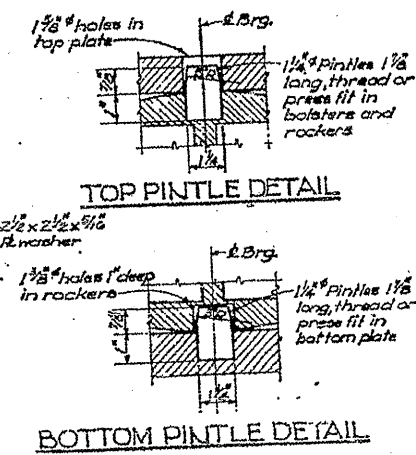
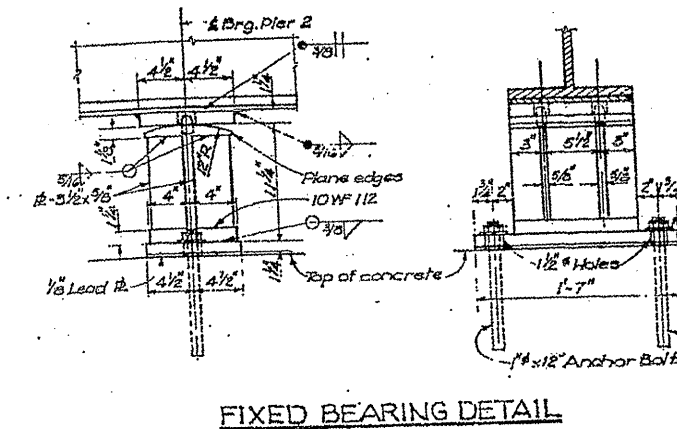
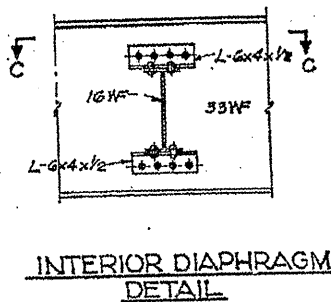
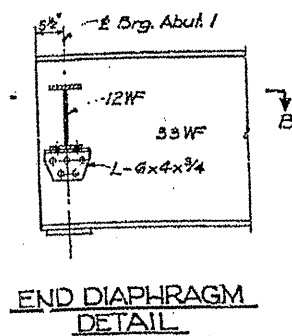
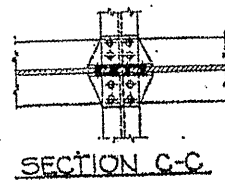
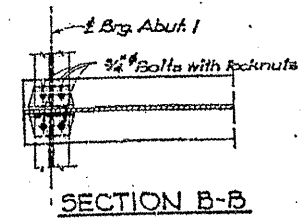


ROUTE	SECTION	COUNTY	TOTAL SHEETS	SHEET NUMBER
VARIOUS	2010-023 BP	VARIOUS	93	19

CONTRACT NO. 60K48



ILLINOIS DEPARTMENT OF
TRANSPORTATION

EXISTING BRIDGE PLAN

LOCATION 1: SN 045-0035
LOCATION 2: SN 045-0036
IL 56 (EB & WB) OVER IL47